

CABLE 083 RF: RF CABLE ASSEMBLY, HIROSE U.FL + 1.13 CABLE + STRIP / TIN

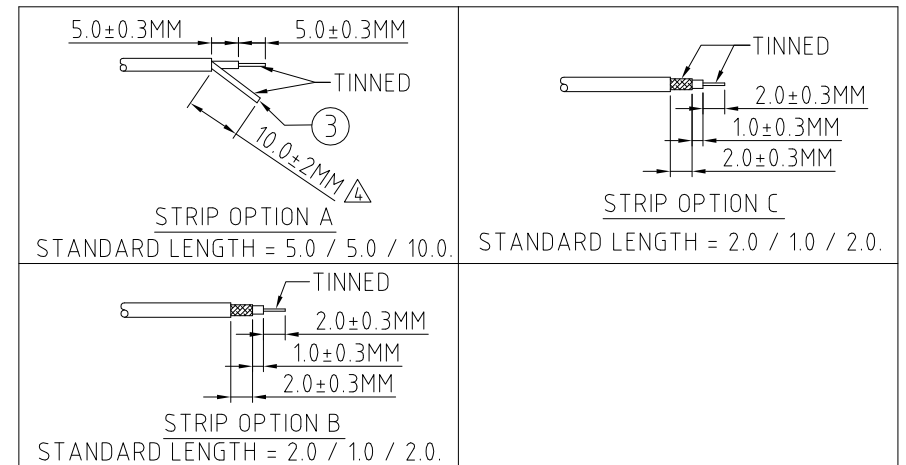
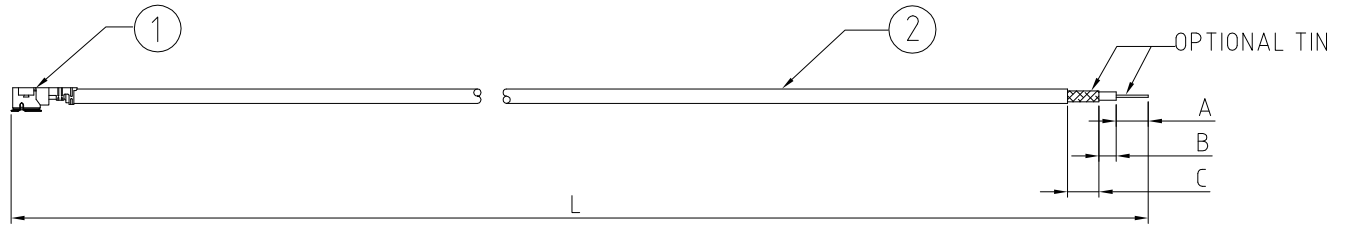
SPECIFICATIONS :

- HIROSE U.FL PLUG (U.FL-LP-068)
- 1.13MM COAXIAL CABLE (BLACK)
- TWISTED BRAID OR FLEXIBLE COPPER WIRE, LENGTH = A (CENTRE CONDUCTOR) + B (INSULATOR). MINIMUM = 6.0MM. LENGTH 6.0MM - 9.9MM: TWISTED BRAID. LENGTH +10MM: FLEXIBLE COPPER WIRE.

USAGE PRECAUTIONS: CABLES USING 'MICRO' COAX ARE DELICATE:
 (i) HANDLE WITH CARE.
 (ii) DO NOT TWIST; APPLY EXCESSIVE FORCES OR SHARP BENDS TO THE CABLE. DO NOT FORCEFULLY DEFORM WIRES.
 (iii) CONSULT CONNECTOR MANUFACTURER'S DATASHEETS FOR DETAILED NOTES ON HANDLING INSTRUCTIONS.

NOTES:

- STRIP DIMENSION A / B / C STANDS FOR
 A = CENTRE CONDUCTOR
 B = INSULATOR
 C = BRAID.
- INSERTION LOSS TEST REPORT IS NOT AVAILABLE.
- THIS IS OUR STANDARD OFFERING, SPECIAL DESIGNS ARE AVAILABLE, INCLUDING CUSTOM TOLERANCES AND SPECIAL BRAID TINNING DESIGNS. PLEASE CONTACT GRADCONN FOR MORE INFORMATION.
- CENTRE CONDUCTOR AND TWISTED BRAID OF COAX CABLE IS TINNED. WHEN BRAID LENGTH EXCEEDS 10MM LENGTH OF TINNED COPPER WIRE IS SOLDERED TO THE BRAID/SHIELD OF THE COAX CABLE WHICH ALLOWS SOLDERING TO PCB.



HOW TO ORDER

CABLE 083 RF - X X X - X.X / X.X / X.X - X

"L" LENGTH IN MM
 eg: 100MM = 100
 (MIN. 025 - MAX. 400
 STANDARD : 100, 150, 200)

A/B/C STRIP DIMENSION IN MM
 FOR STANDARD LENGTH PLEASE
 REFER TO DRAWINGS.
 (SPECIALS AVAILABLE UPON
 REQUEST.)

STRIP AND TIN OPTIONS:
 A = CENTER CONDUCTOR & TWISTED BRAID/SOLDERED COPPER WIRE TINNED (SEE NOTE 4 FOR SOLDER TO PCB APPLICATION)
 B = STRIPPED, END A TINNED
 C = STRIPPED, END A & C TINNED

REV. DATE & DRN
10 26/10/09 - NYW RELEASE
11 27/10/09 - NYW REMOVE B STRIP OPTION.
12 30/10/09 - NYW ADD STRIP OPTIONS B, C.
13 26/11/09 - NYW ADD 1 DECIMAL PLACE TO STRIP DIMENSIONS.
14 11/07/11 - NYW AMEND TOLERANCE.
15 19/05/15 - NYW REMOVE STRIP OPTION 'D'. AMEND STRIP OPTION 'A'.

Scale: NTS	THIRD ANGLE	Unstated X .XX .XXX ANGLES	Tolerances: ±0.2 ±0.1 ±0.05 ±5	Material SEE NOTE
Drawn: NYW				
App'd: XXX	Title CABLE ASSEMBLY	NOT TO SCALE		
Date: 19 MAY '15	Revision: 15	Unit: mm		

www.gradconn.com

© THIS DRAWING IS CONFIDENTIAL AND MUST NOT BE COPIED OR DISCLOSED WITHOUT WRITTEN CONSENT

Type: Cable 083 RF
CABLE 083 RF
Drawing Number:
Sheet 1 of 1
Drawing © E and O E