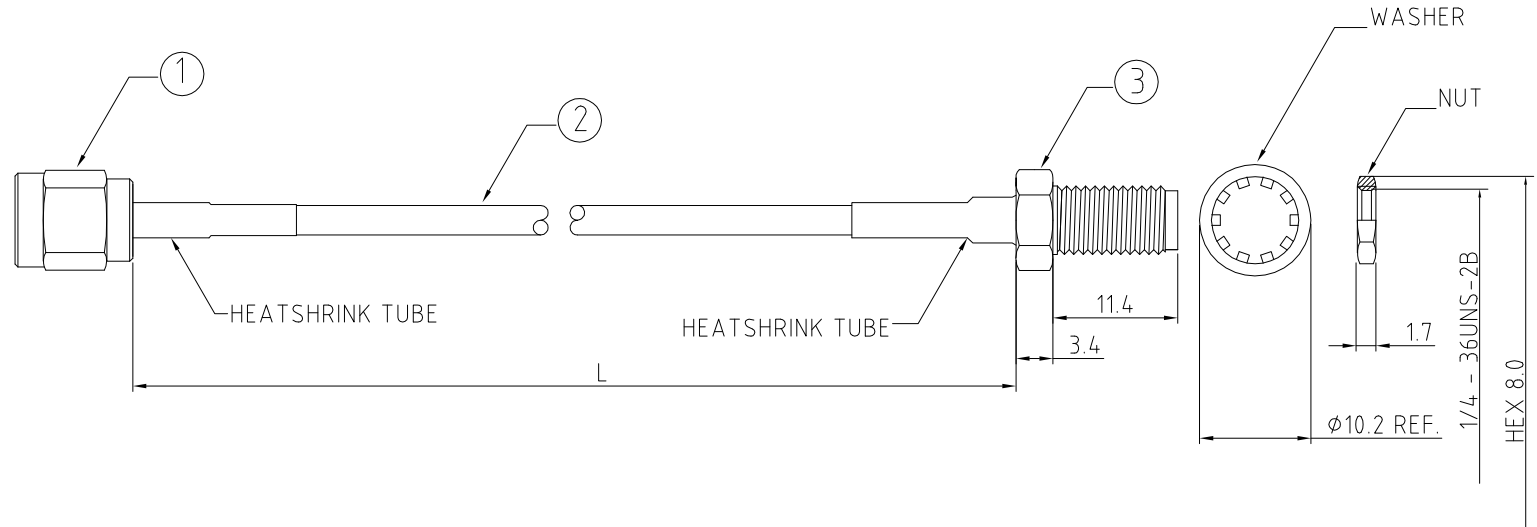


CABLE 071 RF: RF CABLE ASSEMBLY, SMA ST PLUG + SMA FEMALE BULKHEAD + MULTIPLE CABLE SIZES - 3GHz

SPECIFICATIONS

- SMA STRAIGHT PLUG P/N:
FOR RG174 CABLE: C01AA31174004A
FOR RG58 CABLE: C01AA31058A04A-2 \triangle
FOR ϕ 1.37 CABLE: C01AA31137004 \triangle
- MIT COAXIAL CABLE (SEE CABLE OPTIONS FOR DETAIL).
- SMA ST BULKHEAD, GOLD PLATED, P/N:
FOR RG174 CABLE: C02ABWS174003C
FOR RG58 CABLE: C02AB31058A03C
FOR ϕ 1.37 CABLE: C02ABWS178003B

- NOTES:
1. WORKING FREQUENCY RANGE: DC-3GHz \triangle



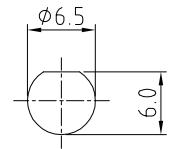
HOW TO ORDER

CABLE 071 RF - X X X X - X - X

"L" LENGTH IN MM
eg: 100MM = 0100
(MIN. = 0050)
STANDARD = 0100, 0150, 0200
Tolerance: <50mm : \pm 2mm.
51-200mm: \pm 5mm.
201-500mm: \pm 7mm.
>501mm: \pm 10mm.

WASHER AND NUT OPTIONS:
BLANK = SEPERATELY PACKED (STANDARD)
A = ASSEMBLED WITH CONNECTOR

CABLE SIZE OPTIONS:
BLANK = RG174 CABLE, COLOR: BLACK.
 \triangle 1 = RG58 CABLE, COLOR: BLACK (PVC JACKET).
 \triangle 3 = ϕ 1.37MM CABLE, COLOR: BLACK.



RECOMMENDED SMA MOUNTING HOLE

REV. DATE & DRN	10 06/03/09 - NYW RELEASE
11 26/08/09-PCY	ADD WORKING FREQUENCY RANGE.
12 15/02/11 - NYW	ADD RG58 CABLE OPTION.
13 29/01/14 - NYW	ADD 132 CABLE OPTION.
14 23/01/15 - NYW	ADD 137 CABLE OPTION. REMOVE 132 D/S D2 CABLE.
15 29/06/15 - NYW	AMEND 137 SMA PLUG P/N.
16 27/08/15 - NYW	AMEND RG58 SMA PLUG P/N.

Scale: NTS	THIRD ANGLE	Unstated X XX \pm 0.2 .XX \pm 0.1 XXX \pm 0.05 ANGLES \pm 5	Material SEE NOTE
Drawn: NYW			
App'd: XXX	Title: CABLE ASSEMBLY		NOT TO SCALE
Date: 27 AUG. '15	Revision: 1.6		Unit: mm

www.gradconn.com

© THIS DRAWING IS CONFIDENTIAL AND MUST NOT BE COPIED OR DISCLOSED WITHOUT WRITTEN CONSENT

Type: Cable 071 RF
CABLE 071 RF
Drawing Number:
Sheet 1 of 1
Drawing © E and O E