

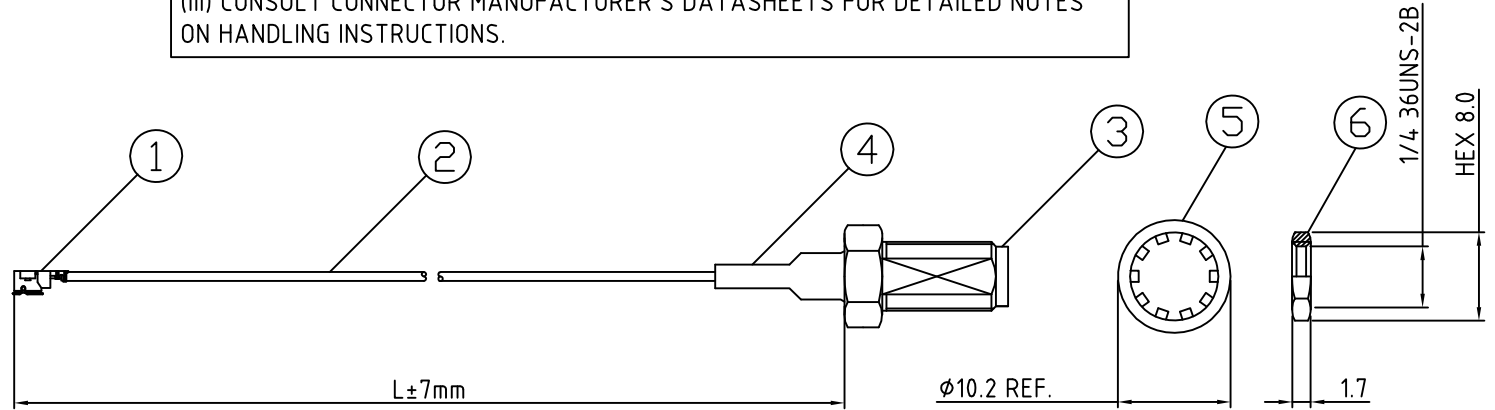
CABLE 070 RF: RF CABLE ASSEMBLY, HIROSE U.FL PLUG + SMA JACK BULKHEAD MOUNT W/0.81MM CABLE - 3GHz

SPECIFICATIONS

1. HIROSE U.FL PLUG [U.FL-LP(V)-040]
2. 0.81 COAXIAL CABLE (GRAY)
3. SMA ST BULKHEAD (C02ABWS178003B), GOLD
4. HEATSHRINK
5. WASHER, BRASS
6. NUT, BRASS

**USAGE PRECAUTIONS: CABLES USING 'MICRO' COAX ARE DELICATE:**  
 (i) HANDLE WITH CARE.  
 (ii) DO NOT TWIST; APPLY EXCESSIVE FORCES OR SHARP BENDS TO THE CABLE. DO NOT FORCEFULLY DEFORM WIRES.  
 (iii) CONSULT CONNECTOR MANUFACTURER'S DATASHEETS FOR DETAILED NOTES ON HANDLING INSTRUCTIONS.

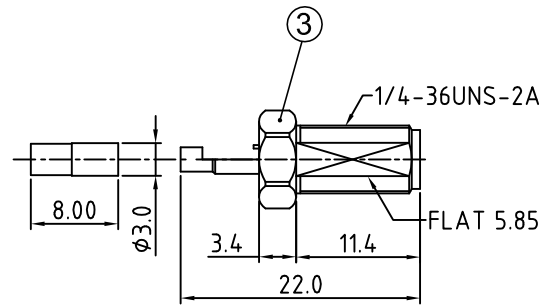
NOTES:  
 1. THE ORIENTATION OF CONNECTORS ON DRAWING IS FOR REFERENCE ONLY, PLEASE CONTACT US IF YOU REQUIRE A SPECIFIC ORIENTATION  
 2. ELECTRICAL WORKING FREQUENCY RANGE: DC-3GHz.  $\Delta$



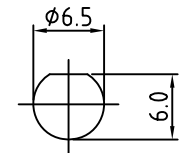
HOW TO ORDER  
 CABLE 070 RF - XXX - X

"L" LENGTH IN MM  
 eg: 100MM = 100  
 (MIN. 50 - MAX. 500,  
 STANDARD : 100, 150, 200)

WASHER AND NUT OPTIONS:  
 BLANK = SEPERATELY PACKED (STANDARD)  
 A = ASSEMBLED WITH CONNECTOR



SMA JACK DETAIL DIMENSION



RECOMMENDED SMA MOUNTING HOLE

REV. DATE & DRN  
 10 25/03/09-CHC RELEASE  
 11 18/08/09-PCY  
 $\Delta$  ADD WORKING FREQUENCY RANGE.

Scale: 2 : 1	THIRD ANGLE	Unstated .X .XX .XXX ANGLES	Tolerances: ±0.2 ±0.1 ±0.05 ±5	Material SEE NOTE
Drawn: CHC				
App'd: XXX	Title CABLE ASSEMBLY	NOT TO SCALE		
Date: 18 AUG '09	Revision: 1.1	Unit: mm		

www.gradconn.com

THIS DRAWING IS CONFIDENTIAL AND MUST NOT BE COPIED OR DISCLOSED WITHOUT WRITTEN CONSENT

Type: Cable 070 RF
CABLE 070 RF
Drawing Number:
Sheet 1 of 1
Drawing C  E and O E