

CABLE 069 RF: RF CABLE ASSEMBLY, I-PEX MHF II PLUG + SMA JACK BULKHEAD MOUNT W/0.81MM CABLE - 3GHz

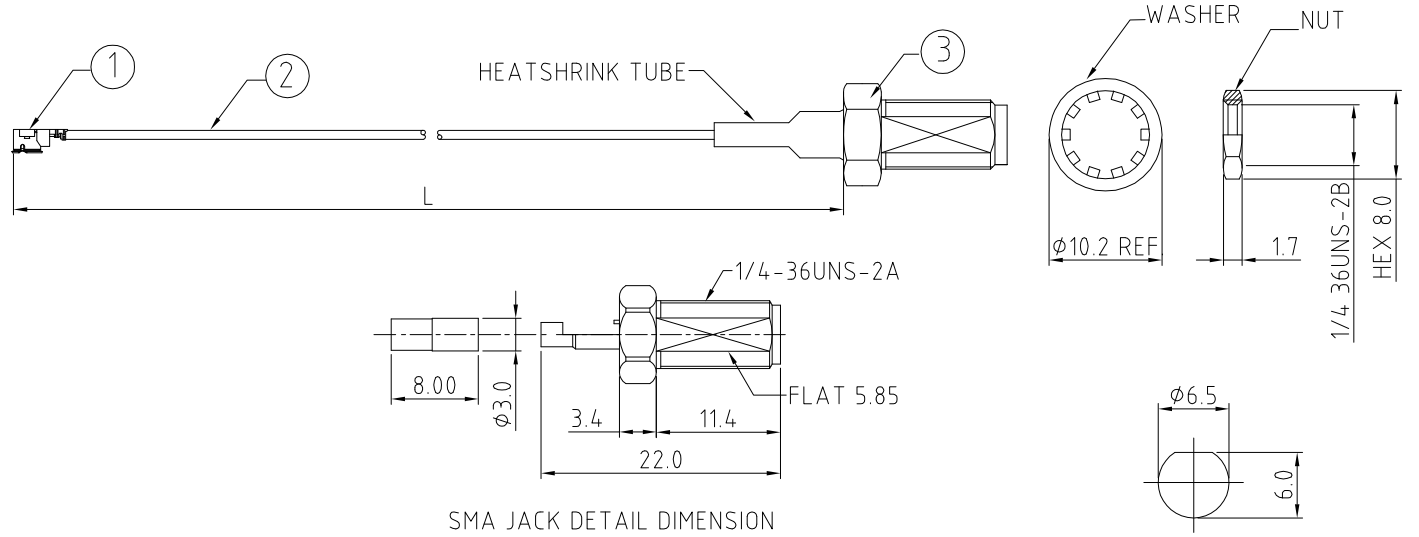
SPECIFICATIONS

1. I-PEX MHF II PLUG (20311-011R-08)
2. ϕ 0.81 COAXIAL CABLE (GRAY)
3. SMA ST BULKHEAD (C02ABWS178003B), GOLD

USAGE PRECAUTIONS: CABLES USING 'MICRO' COAX ARE DELICATE:
 (i) HANDLE WITH CARE.
 (ii) DO NOT TWIST; APPLY EXCESSIVE FORCES OR SHARP BENDS TO THE CABLE. DO NOT FORCEFULLY DEFORM WIRES.
 (iii) CONSULT CONNECTOR MANUFACTURER'S DATASHEETS FOR DETAILED NOTES ON HANDLING INSTRUCTIONS.

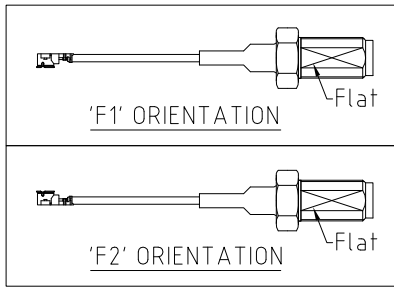
NOTES:

1. THE ORIENTATION OF CONNECTORS ON DRAWING IS FOR REFERENCE ONLY, IF THE ORDER CODE IS LEFT BLANK THE CONNECTOR WILL NOT HAVE FIXED ORIENTATION.
2. FIXED ORIENTATION IS POSSIBLE FOR CABLE LENGTH 25MM TO 220MM. PLEASE SPECIFY THE FIXED ORIENTATIONS FROM THE ORDER CODE (F1, F2, ETC)
3. CONTACT GRAD CONN IF THE ORIENTATION YOU REQUIRE IS NOT SHOWN.
4. WORKING FREQUENCY RANGE: DC-3GHz. Δ



SMA JACK DETAIL DIMENSION

RECOMMENDED SMA MOUNTING HOLE



HOW TO ORDER
 CABLE 069 RF - X X X - X - X X

"L" LENGTH IN MM
 eg: 100MM = 100
 (MIN. 025-MAX.400)
 STANDARD = 100, 150, 200
 Tolerance: <50mm : \pm 2mm.
 51-200mm: \pm 5mm.
 201-400mm: \pm 7mm.

ORIENTATION OPTIONS:
 BLANK = DOES NOT HAVE A FIXED ORIENTATION
 F1 = MHF CONNECTION DOWN (L=25-220MM)
 F2 = MHF CONNECTION UP (L=25-220MM)
 (SEE NOTES 1, 2, 3 AND DIAGRAMS FOR MORE INFORMATION)

WASHER AND NUT OPTIONS:
 BLANK = SEPERATELY PACKED (STANDARD)
 A = ASSEMBLED WITH CONNECTOR

REV. DATE & DRN
 10 25/03/09-CHC RELEASE
 11 18/08/09-PCY
 ADD WORKING FREQUENCY RANGE.
 12 13/08/12-NYW
 ADD ORIENTATION OPTIONS.

Scale: 2 : 1	THIRD ANGLE	Unstated X .XX .XXX ANGLES	Tolerances: \pm 0.2 \pm 0.1 \pm 0.05 \pm 5	Material SEE NOTE
Drawn: CHC				
App'd: XXX	Title: CABLE ASSEMBLY	NOT TO SCALE		
Date: 3 AUG '12	Revision: 1.2	Unit: mm		

THIS DRAWING IS CONFIDENTIAL AND MUST NOT BE COPIED OR DISCLOSED WITHOUT WRITTEN CONSENT

Type: Cable 069 RF
CABLE 069 RF
Drawing Number:
Sheet 1 of 1
Drawing C E and O E