

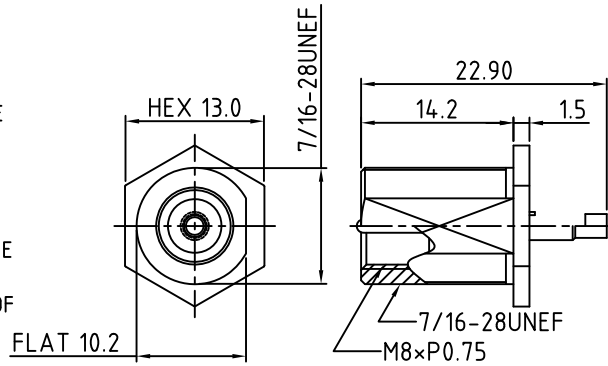
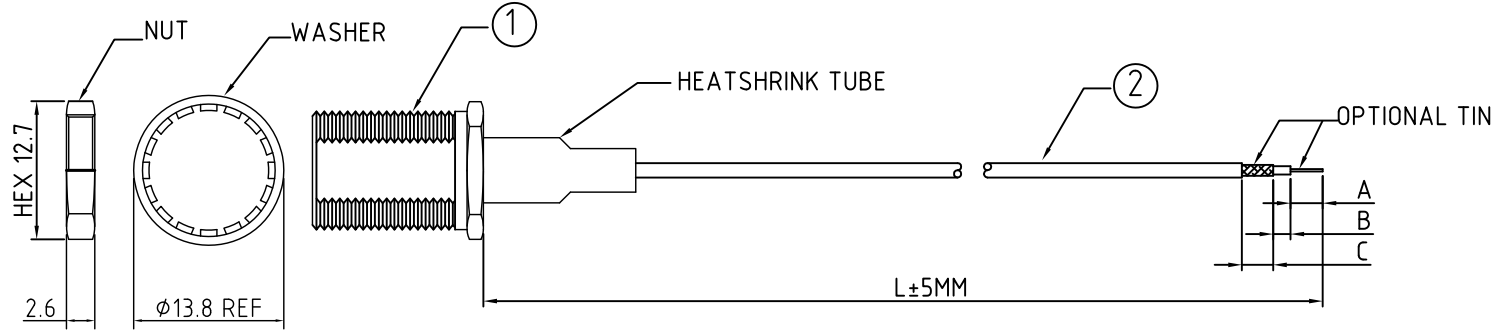
CAB066RF: RF CABLE ASSEMBLY, FME BULKHEAD PLUG + 1.32 CABLE + STRIP / TIN

SPECIFICATIONS :

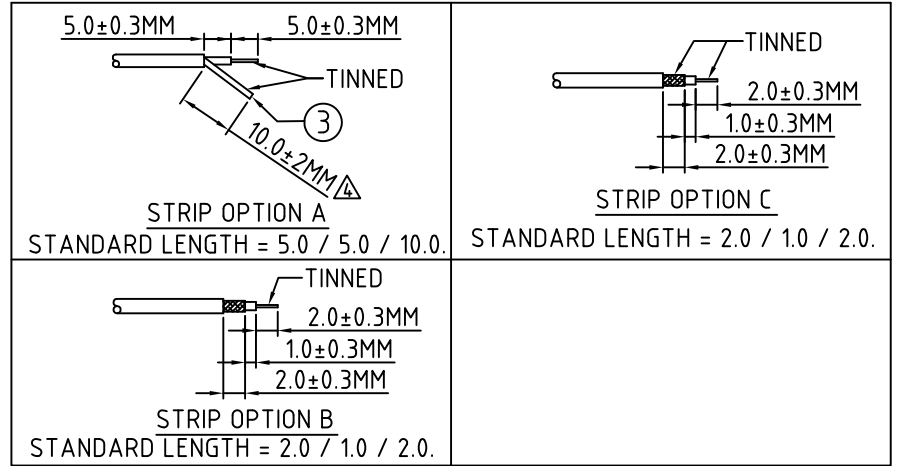
1. FME BULKHEAD PLUG (C29CBWS178001), NICKEL
2. 1.32MM SINGLE SHIELD COAXIAL CABLE, COLOR: GRAY
3. TWISTED BRAID OR FLEXIBLE COPPER WIRE, LENGTH = A (CENTRE CONDUCTOR) + B (INSULATOR). MINIMUM = 6.0MM. LENGTH 6.0MM - 9.9MM: TWISTED BRAID. LENGTH +10MM: FLEXIBLE COPPER WIRE.

NOTES:

1. STRIP DIMENSION A / B / C STANDS FOR  
A = CENTRE CONDUCTOR  
B = INSULATOR  
C = BRAID.
2. INSERTION LOSS TEST REPORT IS NOT AVAILABLE.
3. THIS IS OUR STANDARD OFFERING, SPECIAL DESIGNS ARE AVAILABLE, INCLUDING CUSTOM TOLERANCES AND SPECIAL BRAID TINNING DESIGNS. PLEASE CONTACT GRADCONN FOR MORE INFORMATION.
4. CENTRE CONDUCTOR AND TWISTED BRAID OF COAX CABLE IS TINNED. WHEN BRAID LENGTH EXCEEDS 10MM LENGTH OF TINNED COPPER WIRE IS SOLDERED TO THE BRAID/SHIELD OF THE COAX CABLE WHICH ALLOWS SOLDERING TO PCB.



FME PLUG DETAIL DIMENSION



HOW TO ORDER

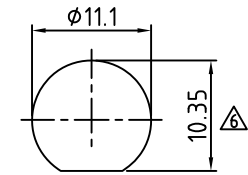
CAB066RF - X X X X - X.X / X.X / X.X - X - X

"L" LENGTH IN MM  
eg: 100MM = 0100  
(MIN. 0025,  
STANDARD : 0100, 0150,  
0200)

A/B/C STRIP DIMENSION IN MM  
FOR STANDARD LENGTH PLEASE  
REFER TO DRAWINGS.  
(SPECIALS AVAILABLE UPON  
REQUEST.)

WASHER AND NUT OPTIONS:  
BLANK = SEPERATELY PACKED (STANDARD)  
A = ASSEMBLED WITH CONNECTOR

STRIP AND TIN OPTIONS:  
A = CENTER CONDUCTOR & TWISTED BRAID/SOLDERED COPPER  
WIRE TINNED (SEE NOTE 4 FOR SOLDER TO PCB APPLICATION)  
B = STRIPPED, END A TINNED  
C = STRIPPED, END A & C TINNED



RECOMMENDED FME MOUNTING HOLE

10 03/02/09 - NYW RELEASE
11 08/10/09 - NYW CHANGE TWISTED BRAID TO SOLDERED COPPER WIRE. ADD SPECIFICATION OF COMPONENT 3.
ADD NOTES 4.
ADD WASHER & NUT OPTION.
12 30/10/09 - NYW ADD STRIP OPTIONS B, C.
13 26/11/09 - NYW ADD 1 DECIMAL PLACE TO STRIP DIMENSIONS. CHANGE PIN TO CAB066RF. WAS CABLE 066 RF.
14 11/07/11 - NYW AMEND TOLERANCE.
15 19/05/15 - NYW REMOVE STRIP OPTION '0'. AMEND STRIP OPTION 'A'.
16 07/09/16 - AJO CORRECTED MOUNTING HOLE DIMENSION

Scale: NTS	THIRD ANGLE	Unstated .X ±0.2 .XX ±0.1 .XXX ±0.05 ANGLES ±5	Material SEE NOTE
Drawn: NYW			
App'd: XXX	Title CABLE ASSEMBLY	NOT TO SCALE	
Date: 07 SEPT '16	Revision: 1.6	Unit: mm	

www.gradconn.com

THIS DRAWING IS CONFIDENTIAL AND MUST NOT BE COPIED OR DISCLOSED WITHOUT WRITTEN CONSENT

Type: Cable 066 RF
CAB066RF
Drawing Number:
Sheet 1 of 1
Drawing © E and O E