

CABLE 064 RF: RF CABLE ASSEMBLY, IPEX MHF + 1.32 CABLE + STRIP / TIN

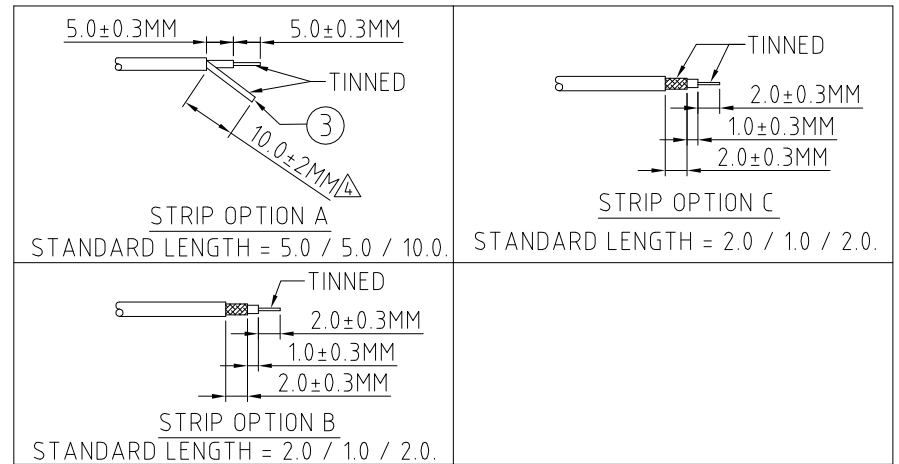
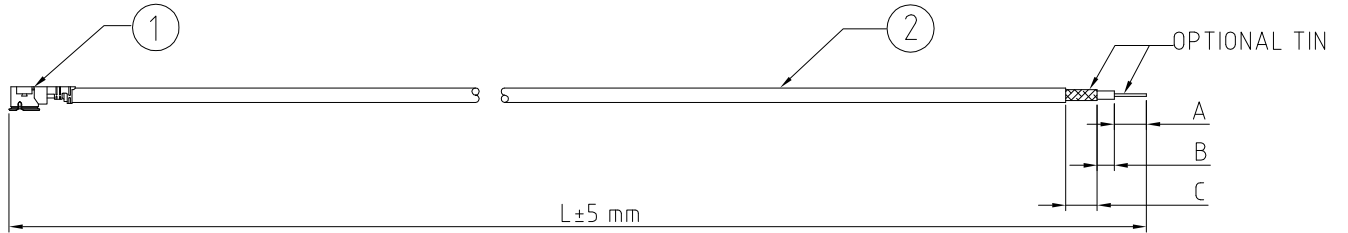
SPECIFICATIONS :

- 1- IPEX MHF PLUG (20278-112R-32)
- 1.32MM MIT SINGLE SHIELD COAXIAL CABLE (GRAY)
- TWISTED BRAID OR FLEXIBLE COPPER WIRE, LENGTH = A (CENTRE CONDUCTOR) + B (INSULATOR). MINIMUM = 6.0MM. LENGTH 6.0MM - 9.9MM: TWISTED BRAID. LENGTH +10MM: FLEXIBLE COPPER WIRE.

USAGE PRECAUTIONS: CABLES USING 'MICRO' COAX ARE DELICATE:
 (i) HANDLE WITH CARE.
 (ii) DO NOT TWIST; APPLY EXCESSIVE FORCES OR SHARP BENDS TO THE CABLE. DO NOT FORCEFULLY DEFORM WIRES.
 (iii) CONSULT CONNECTOR MANUFACTURER'S DATASHEETS FOR DETAILED NOTES ON HANDLING INSTRUCTIONS.

NOTES:

1. STRIP DIMENSION A / B / C STANDS FOR
 A = CENTRE CONDUCTOR
 B = INSULATOR
 C = BRAID.
2. INSERTION LOSS TEST REPORT IS NOT AVAILABLE.
3. THIS IS OUR STANDARD OFFERING, SPECIAL DESIGNS ARE AVAILABLE, INCLUDING CUSTOM TOLERANCES AND SPECIAL BRAID TINNING DESIGNS. PLEASE CONTACT GRADCONN FOR MORE INFORMATION.
4. CENTRE CONDUCTOR AND TWISTED BRAID OF COAX CABLE IS TINNED. WHEN BRAID LENGTH EXCEEDS 10MM LENGTH OF TINNED COPPER WIRE IS SOLDERED TO THE BRAID/SHIELD OF THE COAX CABLE WHICH ALLOWS SOLDERING TO PCB.



HOW TO ORDER

CABLE 064 RF - XXX - X.X / X.X / X.X - X

"L" LENGTH IN MM
 eg: 100MM = 100
 (MIN. 050 - MAX. 400
 STANDARD : 100, 150, 200)

A/B/C STRIP DIMENSION IN MM
 FOR STANDARD LENGTH PLEASE
 REFER TO DRAWINGS.
 (SPECIALS AVAILABLE UPON
 REQUEST.)

STRIP AND TIN OPTIONS:
 A = CENTER CONDUCTOR & TWISTED BRAID/SOLDERED COPPER
 WIRE TINNED (SEE NOTE 4 FOR SOLDER TO PCB APPLICATION)
 B = STRIPPED, END A TINNED
 C = STRIPPED, END A & C TINNED

10	02/07/09 - NYW RELEASE
11	08/10/09 - NYW CHANGE TWISTED BRAID TO SOLDERED COPPER WIRE. ADD SPECIFICATION OF COMPONENT 3. ADD NOTES 4.
12	30/10/09 - NYW ADD STRIP OPTIONS B, C.
13	26/11/09 - NYW ADD 1 DECIMAL PLACE TO STRIP DIMENSIONS.
14	11/07/11 - NYW AMEND TOLERANCE.
15	19/05/15 - NYW REMOVE STRIP OPTION '0'. AMEND STRIP OPTION 'A'.

Scale: NTS	THIRD ANGLE	Unstated X .XX .XXX ANGLES	Tolerances: ±0.2 ±0.1 ±0.05 ±5	Material SEE NOTE
Drawn: NYW				
App'd: XXX	Title: CABLE ASSEMBLY	NOT TO SCALE		
Date: 19 MAY '15	Revision: 15	Unit: mm		

www.gradconn.com

THIS DRAWING IS CONFIDENTIAL AND MUST NOT BE COPIED OR DISCLOSED WITHOUT WRITTEN CONSENT

Type: Cable 064 RF
CABLE 064 RF
Drawing Number:
Sheet 1 of 1
Drawing © E and O E