

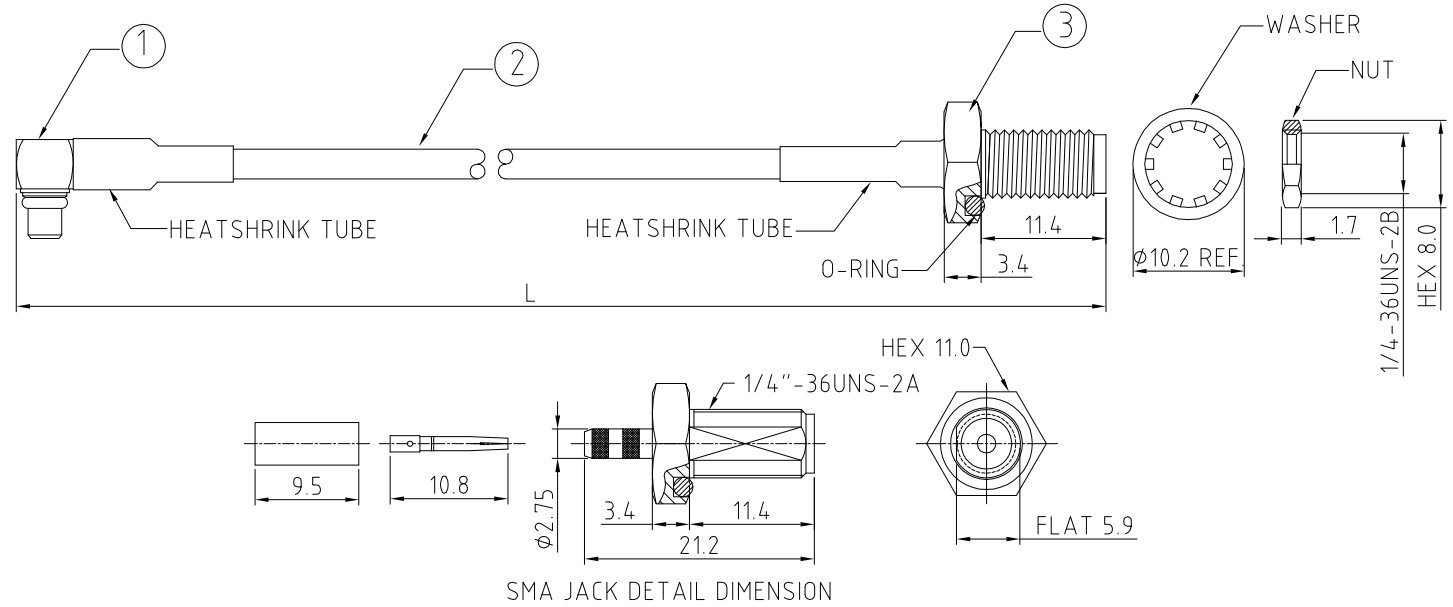
CABLE 051 RF: RF CABLE ASSEMBLY, MMCX R/A PLUG + SMA FEMALE BULKHEAD WITH FIXED O-RING + MULTIPLE CABLE SIZES

SPECIFICATIONS:

1. MMCX RIGHT ANGLE PLUG (C05BA3F174001), GOLD
2. COAXIAL CABLE, SEE PART NUMBER FOR DETAIL.
3. SMA ST BULKHEAD W/O-RING (C02AD31174005A), GOLD

NOTES:

1. THE ORIENTATION OF CONNECTORS ON DRAWING IS FOR REFERENCE ONLY, IF THE ORDER IS LEFT BLANK THE CONNECTOR WILL NOT HAVE FIXED ORIENTATION.
2. FIXED ORIENTATION IS SUGGESTED FOR CABLE LENGTH 70MM TO 100MM. PLEASE SPECIFY THE FIXED ORIENTATIONS FROM THE ORDER CODE (F1, F2, ETC).
3. CONTACT GRAD CONN IF THE ORIENTATION YOU REQUIRE IS NOT SHOWN.
4. WORKING FREQUENCY RANGE: DC-3GHz (RG174 CABLE)  $\Delta$   
DC-6GHz (RG316 CABLE)

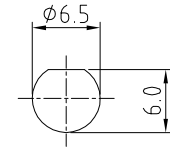
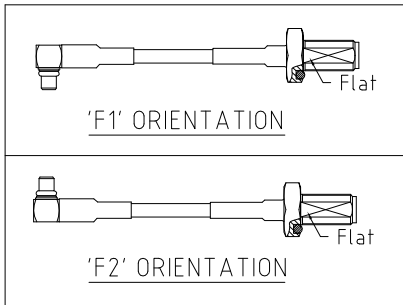


HOW TO ORDER  
 CABLE 051 RF - X X X X - X X - X - X  
 CABLE SIZE OPTIONS:  
 BLANK = RG174 CABLE, COLOR: BLACK  
 1 = RG316 CABLE, COLOR: BROWN

"L" LENGTH IN MM:  
 eg: 100MM = 0100  
 (MIN. 0070,  
 STANDARD = 0100, 0150, 0200)  
 Tolerance: 70-200mm:  $\pm 5$ mm.  
 201-500mm:  $\pm 7$ mm.  
 >501mm:  $\pm 10$ mm.

WASHER AND NUT OPTIONS:  
 BLANK = SEPERATELY PACKED (STANDARD)  
 A = ASSEMBLED WITH CONNECTOR

ORIENTATION OPTIONS:  
 BLANK = DOES NOT HAVE A FIXED ORIENTATION  
 F1 = MMCX CONNECTION DOWN (L=70-200MM)  
 F2 = MMCX CONNECTION UP (L=70-200MM)  
 (SEE NOTES 1, 2, 3 AND DIAGRAMS FOR MORE INFORMATION)



RECOMMENDED SMA MOUNTING HOLE

10	08/09/08 - NYW RELEASE
11	08/12/08 - NYW ADD WASHER AND NUT OPTIONS
12	18/09/08 - PCY ADD WORKING FREQUENCY RANGE
13	10/17/11 - NYW ADD ORIENTATION OPTIONS, ADD RG316 CABLE OPTION, ADD NOTES, AMEND FREQUENCY TO 6GHz.
14	30/07/15 - NYW AMEND RG174 FREQUENCY.
15	29/03/16 - NYW AMEND MIN. CABLE LENGTH

Scale: NTS	THIRD ANGLE	Unstated X .XX .XXX ANGLES	Tolerances: $\pm 0.2$ $\pm 0.1$ $\pm 0.05$ $\pm 5$	Material: SEE NOTE
Drawn: NYW				
App'd: XXX	Title: CABLE ASSEMBLY	NOT TO SCALE		
Date: 29 MAR. '16	Revision: 15	Unit: mm		

www.gradconn.com

THIS DRAWING IS CONFIDENTIAL AND MUST NOT BE COPIED OR DISCLOSED WITHOUT WRITTEN CONSENT

Type: Cable 051 RF
CABLE 051 RF
Drawing Number:
Sheet 1 of 1
Drawing © E and O E