

CABLE 041 RF: RF CABLE ASSEMBLY, I-PEX MHF + FME MALE BULKHEAD + MULTIPLE CABLE SIZES - 3GHz

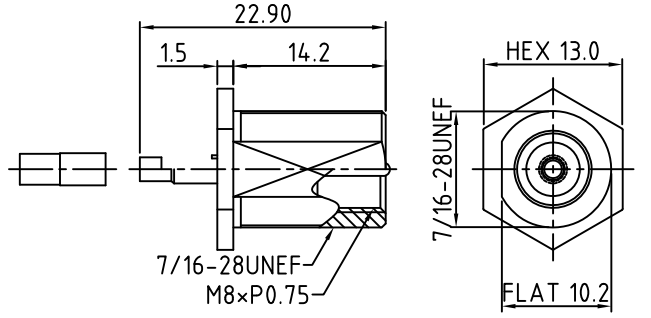
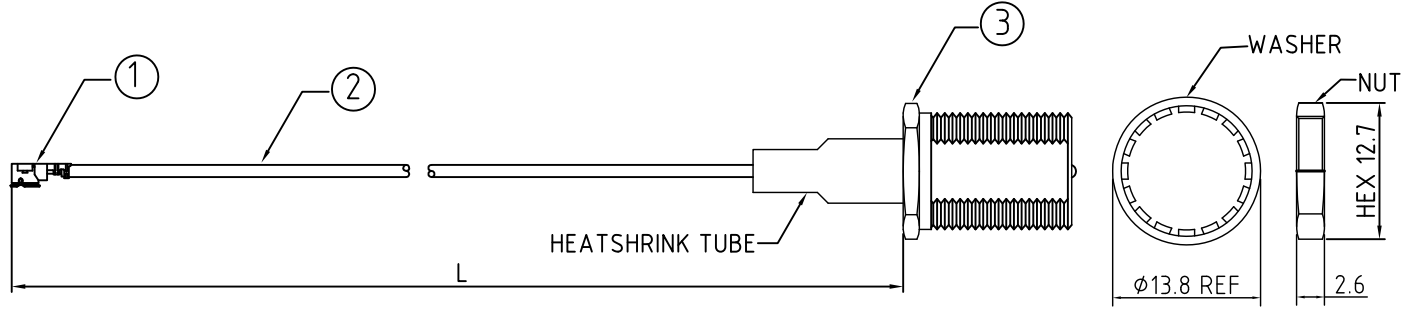
SPECIFICATIONS

1. I-PEX MHF PLUG , GOLD(ALTERNATIVE TO HIROSE U.FL)
FOR $\phi 1.13\text{MM}$ CABLE: 20278-112R-13
FOR $\phi 1.32\text{MM}$ CABLE: 20278-112R-32
FOR $\phi 1.37\text{MM}$ CABLE: 20351-112R-37 Δ
2. COAXIAL CABLE (SEE P/N FOR DETAIL)
3. FME BULKHEAD PLUG (C29CBWS178001), NICKEL

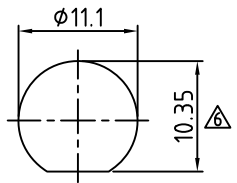
USAGE PRECAUTIONS: CABLES USING 'MICRO' COAX ARE DELICATE:
 (i) HANDLE WITH CARE.
 (ii) DO NOT TWIST; APPLY EXCESSIVE FORCES OR SHARP BENDS TO THE CABLE. DO NOT FORCEFULLY DEFORM WIRES.
 (iii) CONSULT CONNECTOR MANUFACTURER'S DATASHEETS FOR DETAILED NOTES ON HANDLING INSTRUCTIONS.

NOTES:

1. THE ORIENTATION OF CONNECTORS ON DRAWING IS FOR REFERENCE ONLY, IF THE ORDER IS LEFT BLANK THE CONNECTOR WILL NOT HAVE FIXED ORIENTATION.
2. FIXED ORIENTATION IS POSSIBLE FOR CABLE LENGTH 25MM TO 220MM. PLEASE SPECIFY THE FIXED ORIENTATIONS FROM THE ORDER CODE (F1, F2, ETC)
3. CONTACT GRAD CONN IF THE ORIENTATION YOU REQUIRE IS NOT SHOWN.
4. ELECTRICAL WORKING FREQUENCY RANGE: DC-3GHz Δ



FME PLUG DETAIL DIMENSION



RECOMMENDED FME MOUNTING HOLE

HOW TO ORDER

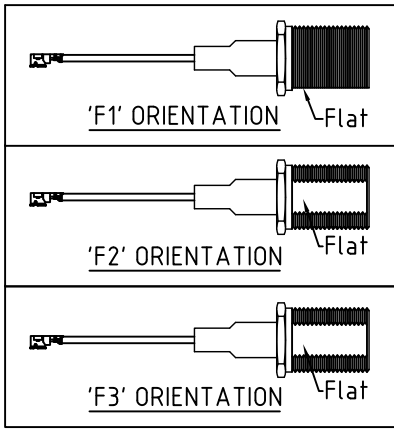
CABLE 041 RF - X X X - X X - X - X

"L" LENGTH IN MM
 eg: 100mm = 0100
 (MIN. 025-MAX.400)
 STANDARD = 100, 150, 200
 Tolerance: <50mm : $\pm 2\text{mm}$.
 51-200mm: $\pm 5\text{mm}$.
 201-400mm: $\pm 7\text{mm}$.

WASHER AND NUT OPTIONS:
 BLANK = SEPERATELY PACKED (STANDARD)
 A = ASSEMBLED WITH CONNECTOR

Δ CABLE SIZE OPTIONS:
 BLANK = $\phi 1.13\text{MM}$ CABLE, COLOR: GRAY
 1 = $\phi 1.32\text{MM}$ CABLE, COLOR: GRAY
 2 = $\phi 1.37\text{MM}$ CABLE, COLOR: BLACK

Δ ORIENTATION OPTIONS:
 BLANK = DOES NOT HAVE A FIXED ORIENTATION
 F1 = MHF CONNECTION & FME FLAT DOWN
 F2 = MHF CONNECTION DOWN
 F3 = MHF CONNECTION UP
 (SEE NOTES 1, 2, 3 AND DIAGRAMS FOR MORE INFORMATION)



10 18/04/08 - NYW RELEASE
11 28/11/08 - NYW CHANGE IPEX P/N TO 20278-112R-13 (HALOGEN FREE)
12 05/12/08 - NYW ADD WASHER AND NUT OPTIONS.
13 18/08/09-PCY ADD WORKING FREQUENCY RANGE.
14 28/09/12 - NYW ADD ORIENTATION & CABLE SIZES OPTIONS.
15 31/08/16 - R/H AMENDED I-PEX P/N FOR $\phi 1.37$ CABLE
16 07/09/16 - AJO CORRECTED MOUNTING HOLE DIMENSION

Scale: 1:2	THIRD ANGLE	Unstated Tolerances: .X ± 0.2 .XX ± 0.1 .XXX ± 0.05 ANGLES ± 5	Material SEE NOTE
Drawn: RJH			
App'd: XXX	Title: CABLE ASSEMBLY		NOT TO SCALE
Date: 07 SEPT. '16	Revision: 1.6		Unit: mm

www.gradconn.com

Type: Cable 041 RF
CABLE 041 RF
Drawing Number:
Sheet 1 of 1
Drawing © E and O E

THIS DRAWING IS CONFIDENTIAL AND MUST NOT BE COPIED OR DISCLOSED WITHOUT WRITTEN CONSENT