


CABLE 040 RF: RF CABLE ASSEMBLY, HIROSE W.FL + SMA FEMALE BULKHEAD + 0.81MM CABLE - 3GHz

SPECIFICATIONS

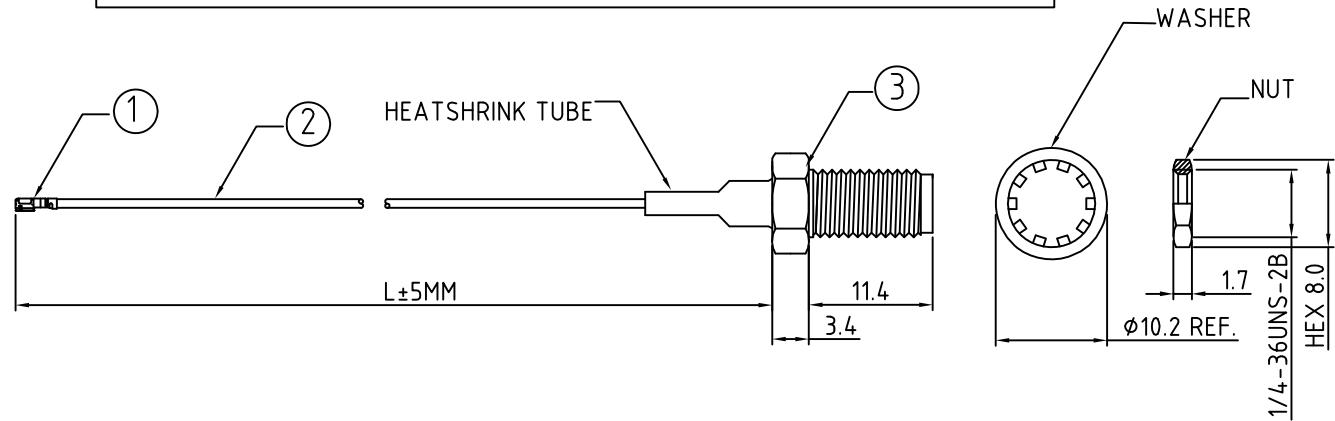
1. HIROSE W.FL PLUG (W.FL-LP-040)
2. 0.81MM COAXIAL CABLE, COLOR: GRAY
3. SMA ST BULKHEAD (C02ABWS178003B), GOLD

NOTES:

1. THE ORIENTATION OF CONNECTORS ON DRAWING IS FOR REFERENCE ONLY, FIXED ORIENTATION IS POSSIBLE FOR CABLE SHORTER THAN 100MM. PLEASE CONTACT US IF YOU REQUIRE A SPECIFIC ORIENTATION.
2. ELECTRICAL WORKING FREQUENCY RANGE: DC-3GHz 

USAGE PRECAUTIONS: CABLES USING 'MICRO' COAX ARE DELICATE:

- (i) HANDLE WITH CARE.
- (ii) DO NOT TWIST; APPLY EXCESSIVE FORCES OR SHARP BENDS TO THE CABLE. DO NOT FORCEFULLY DEFORM WIRES.
- (iii) CONSULT CONNECTOR MANUFACTURER'S DATASHEETS FOR DETAILED NOTES ON HANDLING INSTRUCTIONS.

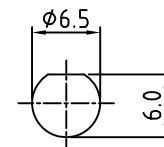
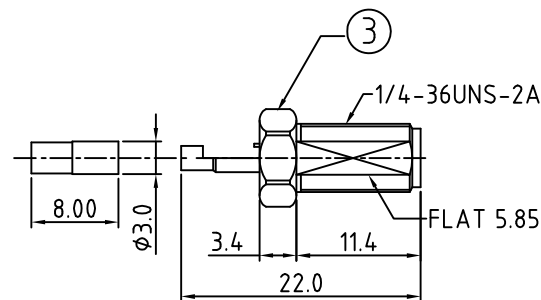


HOW TO ORDER

CABLE 040 RF - X X X - X

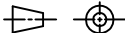
"L" LENGTH IN MM
eg: 100MM = 100
(MIN. 50 - MAX. 400,
STANDARD : 100, 150, 200)

WASHER AND NUT OPTIONS:
BLANK = SEPERATELY PACKED (STANDARD)
A = ASSEMBLED WITH CONNECTOR



RECOMMENDED SMA MOUNTING HOLE


REV. DATE & DRN
10 20/03/09 - NYW RELEASE
11 05/12/08 - NYW
ADD WASHER AND NUT
OPTIONS.
12 18/08/09-PCY
ADD WORKING FREQUENCY
RANGE.

Scale: NTS	THIRD ANGLE	Unstated .X .XX .XXX ANGLES	Tolerances: ±0.2 ±0.1 ±0.05 ±5	Material SEE NOTE
Drawn: NYW				
App'd: XXX	Title CABLE ASSEMBLY			NOT TO SCALE
Date: 18 AUG '09	Revision: 1.2			Unit: mm



www.gradconn.com

 THIS DRAWING IS CONFIDENTIAL AND MUST NOT BE COPIED OR DISCLOSED WITHOUT WRITTEN CONSENT

Type: Cable 040 RF
CABLE 040 RF
Drawing Number:
Sheet 1 of 1
Drawing  E and O E