

CABLE 030 RF: RF CABLE ASSEMBLY, HIROSE U.FL + FME BULKHEAD PLUG WITH 1.13MM CABLE - 3GHz

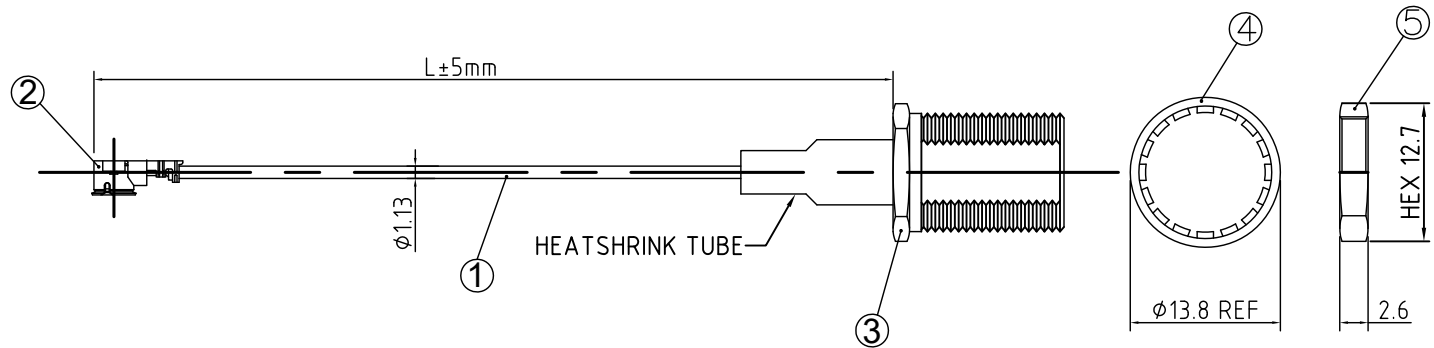
SPECIFICATIONS

1. 1.13MM COAXIAL CABLE, COLOR: GRAY
2. HIROSE U.FL PLUG (U.FL-LP-068)
3. FME PLUG BULKHEAD (C29CBWS178001), NICKEL
4. NUT, BRASS
5. WASHER, BRASS

USAGE PRECAUTIONS: CABLES USING 'MICRO' COAX ARE DELICATE:
 (i) HANDLE WITH CARE.
 (ii) DO NOT TWIST; APPLY EXCESSIVE FORCES OR SHARP BENDS TO THE CABLE. DO NOT FORCEFULLY DEFORM WIRES.
 (iii) CONSULT CONNECTOR MANUFACTURER'S DATASHEETS FOR DETAILED NOTES ON HANDLING INSTRUCTIONS.

NOTES:

1. THE ORIENTATION OF CONNECTORS ON DRAWING IS FOR REFERENCE ONLY, FIXED ORIENTATION IS POSSIBLE FOR CABLE SHORTER THAN 100MM. PLEASE CONTACT US IF YOU REQUIRE A SPECIFIC ORIENTATION.
 - 2, ELECTRICAL
- WORKING FREQUENCY RANGE: DC-3GHz \triangle

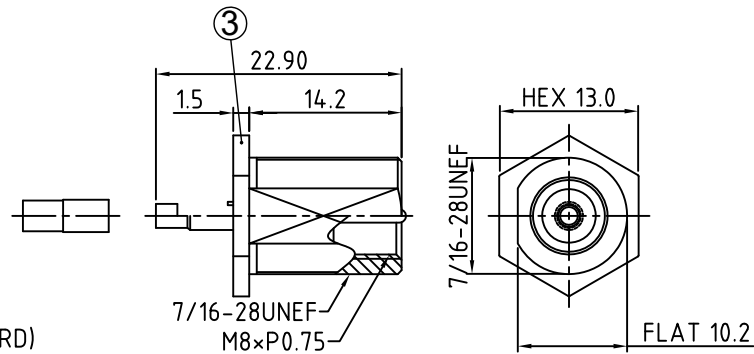


HOW TO ORDER

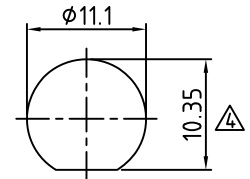
CABLE 030 RF - X X X - X

"L" LENGTH IN MM
 eg: 100MM = 100
 (MIN. 50 - MAX. 400,
 STANDARD : 100, 150, 200)

WASHER AND NUT OPTIONS:
 BLANK = SEPERATELY PACKED (STANDARD)
 A = ASSEMBLED WITH CONNECTOR



FME PLUG DETAIL DIMENSION



RECOMMENDED FME MOUNTING HOLE

| | |
|-----------------|------------------------------------|
| REV. DATE & DRN | 10 08/17/06-NYW RELEASE |
| 11 10/02/08-NYW | ADD CABLE LENGTH OPTION |
| 12 05/12/08-NYW | ADD FME DIMENSION |
| 13 10/08/08-PCY | ADD WASHER AND NUT OPTIONS. |
| 14 07/03/16-AJD | ADD WORKING FREQUENCY RANGE. |
| 15 07/03/16-AJD | CORRECTED MOUNTING HOLE DIMENSION. |

| | | | |
|-------------------|-----------------------|---|--|
| Scale: NTS | THIRD ANGLE | Unstated .X .XX .XXX ANGLES | Tolerances: ±0.2 ±0.1 ±0.05 ±5 |
| Drawn: NYW | | | |
| App'd: XXX | Title: CABLE ASSEMBLY | Material: SEE NOTE | |
| Date: 07 SEPT '16 | Revision: 1.4 | NOT TO SCALE | |
| | | Unit: mm | |



www.gradconn.com

THIS DRAWING IS CONFIDENTIAL AND MUST NOT BE COPIED OR DISCLOSED WITHOUT WRITTEN CONSENT

| |
|----------------------|
| Type: Cable 030 RF |
| CABLE 030 RF |
| Drawing Number: |
| Sheet 1 of 1 |
| Drawing C E and O E |