

CABLE 028 RF: RF CABLE ASSEMBLY, HIROSE U.FL + SMA JACK BULKHEAD MOUNT + MULTIPLE CABLE SIZES

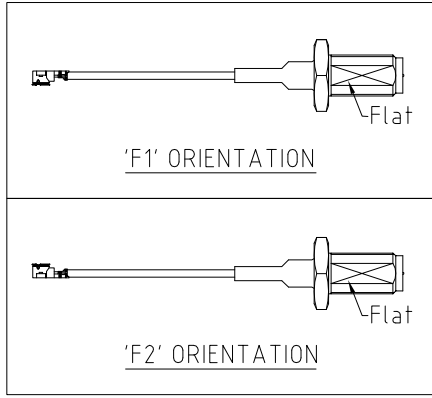
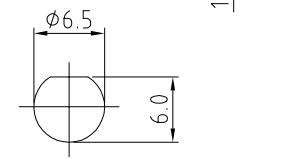
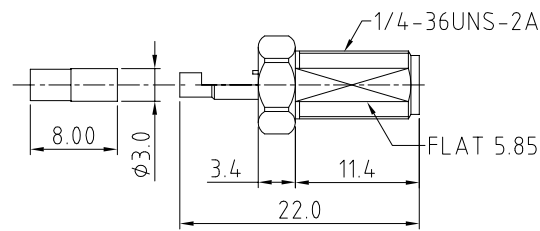
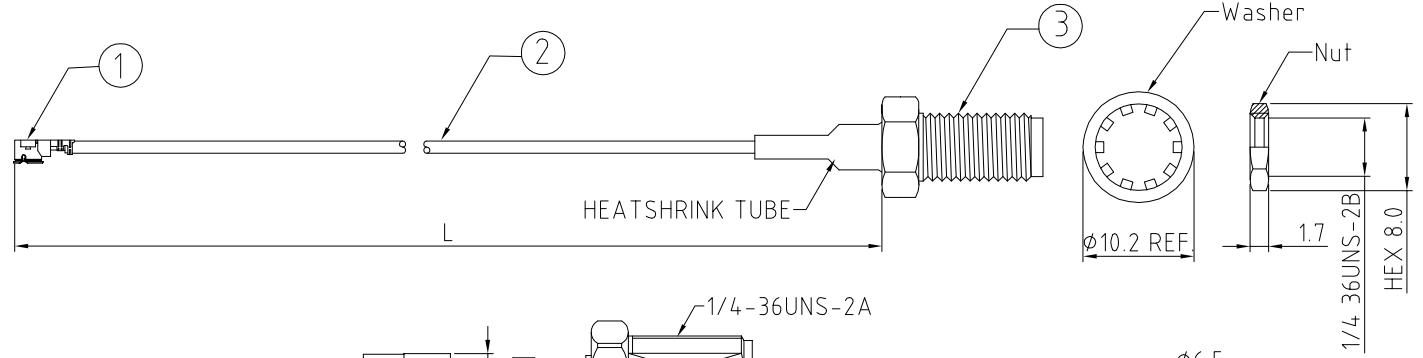
SPECIFICATIONS:

- HIROSE U.FL PLUG, P/N:  
 FOR  $\phi$ 1.13MM CABLE: U.FL-LP-068  
 FOR  $\phi$ 1.37MM CABLE: U.FL-LP-088  
 FOR  $\phi$ 0.81MM CABLE: U.FL-LP(V)-040
- COAXIAL CABLE: SEE P/N FOR DETAIL.
- SMA ST BULKHEAD (RFCT-SMA010-F78), GOLD

**USAGE PRECAUTIONS: CABLES USING 'MICRO' COAX ARE DELICATE:**  
 (i) HANDLE WITH CARE.  
 (ii) DO NOT TWIST; APPLY EXCESSIVE FORCES OR SHARP BENDS TO THE CABLE. DO NOT FORCEFULLY DEFORM WIRES.  
 (iii) CONSULT CONNECTOR MANUFACTURER'S DATASHEETS FOR DETAILED NOTES ON HANDLING INSTRUCTIONS.

NOTES:

- THE ORIENTATION OF CONNECTORS ON DRAWING IS FOR REFERENCE ONLY, IF THE ORDER IS LEFT BLANK THE CONNECTOR WILL NOT HAVE FIXED ORIENTATION.
- FIXED ORIENTATION IS SUGGESTED FOR CABLE LENGTH 25MM TO 100MM. PLEASE SPECIFY THE FIXED ORIENTATIONS FROM THE ORDER CODE (F1, F2, ETC)
- CONTACT GRAD CONN IF THE ORIENTATION YOU REQUIRE IS NOT SHOWN.
- WORKING FREQUENCY RANGE: DC-3GHz
- OPERATING TEMPERATURE: -40°C TO + 80°C
- IMPEDANCE: 50 OHM



HOW TO ORDER  
 CABLE 028 RF - X X X - X X - X - X - X

"L" LENGTH IN MM  
 eg: 100MM = 100  
 (MIN. 025-MAX.400)  
 STANDARD = 100, 150, 200  
 Tolerance: <50mm :  $\pm$ 2mm.  
 51-200mm:  $\pm$ 5mm.  
 201-400mm:  $\pm$ 7mm.

WASHER AND NUT OPTIONS:  
 BLANK = SEPERATELY PACKED (STANDARD)  
 A = ASSEMBLED WITH CONNECTOR

ORIENTATION OPTIONS:  
 BLANK = DOES NOT HAVE A FIXED ORIENTATION  
 F1 = U.FL CONNECTION DOWN (L=25-220MM)  
 F2 = U.FL CONNECTION UP (L=25-220MM)

HEATSHRINK TUBE COLOR OPTIONS:  
 BLANK = BLACK (STANDARD)  
 B = BLUE

CABLE SIZE OPTIONS:  
 BLANK =  $\phi$ 1.13MM CABLE, COLOR: GRAY  
 1 =  $\phi$ 1.37MM CABLE, COLOR: BLACK  
 2 =  $\phi$ 0.81MM CABLE, COLOR: GRAY

(SEE NOTES 1, 2, 3 AND DIAGRAMS FOR MORE INFORMATION)

REV. DATE & DRN	10 02/10/06-NYW RELEASE
11 31/03/08-NYW	ADD SMA DIMENSION.
12 28/11/08-NYW	ADD VARIABLE CABLE LENGTH
13 18/12/09-CHC	ADD WASHER AND NUT OPTIONS
14 19/08/10-NYW	ADD DIRECTION OPTION.
15 23/05/11-NYW	AMEND WORKING FREQUENCY.
16 19/07/13-NYW	ADD CABLE 'L' TOLERANCE.
17 26/04/19-NYW	ADD 1.3T CABLE OPTION.
18 02/09/19-NYW	ADD 0.81 CABLE OPTION.
	ADD TUBE COLOR OPTIONS.
	ADD NOTES 5 & 6.

Scale: NTS	THIRD ANGLE	Unstated X .XX .XXX ANGLES	Tolerances: N/A N/A N/A N/A	Material SEE NOTE
Drawn: NYW				
App'd: XXX	Title: CABLE ASSEMBLY	NOT TO SCALE		
Date: 2 SEP. '19	Revision: 18	Unit: mm		

www.gradconn.com

THIS DRAWING IS CONFIDENTIAL AND MUST NOT BE COPIED OR DISCLOSED WITHOUT WRITTEN CONSENT

Type: Cable 028 RF
CABLE 028 RF
Drawing Number:
Sheet 1 of 1
Drawing C  E and O E