

CAB645RF: I-PEX MHF 3 PLUG TO SMA BULKHEAD JACK WITH O-RING, IP67, 0.81MM CABLE, 6GHz

SPECIFICATIONS:

1. I-PEX MHF 3 PLUG (20367-001R-08)
2. 0.81MM COAXIAL CABLE, COLOR: GRAY
3. SMA STRAIGHT BULKHEAD JACK WITH O-RING RATED TO IP67, P/N: RFCT-SMA081-F08, GOLD

ENVIRONMENTAL:

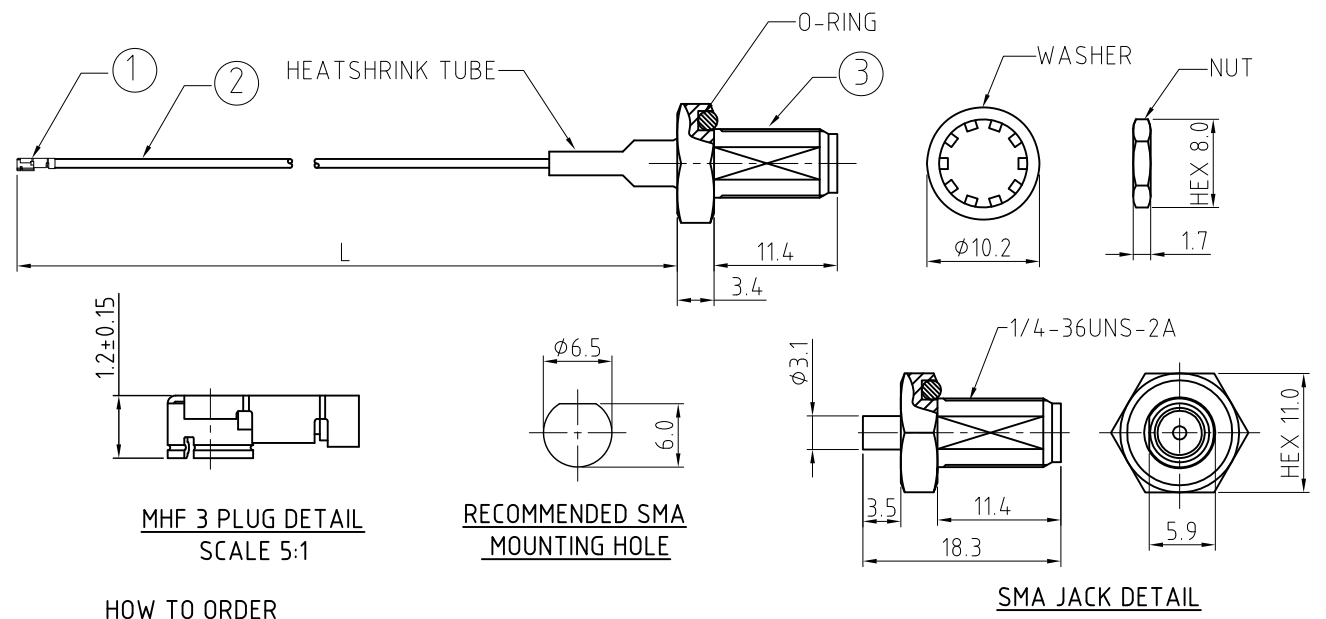
A. BULKHEAD MOUNTED CONNECTOR (RFCT-SMA081-F08) RATED TO THE FOLLOWING SPECIFICATION:

- i. IP6X - DUST TIGHT - NO PARTICLE INGRESS.
- ii. IPX7 WATERPROOF FOR 30 MINUTES UP TO 1 METER UNDERWATER.

NOTES:

1. THE ORIENTATION OF CONNECTORS ON DRAWING IS FOR REFERENCE ONLY, IF THE ORDER IS LEFT BLANK THE CONNECTOR WILL NOT HAVE FIXED ORIENTATION.
2. FIXED ORIENTATION IS SUGGESTED FOR CABLE LENGTH 25MM TO 100MM. PLEASE SPECIFY THE FIXED ORIENTATIONS FROM THE ORDER CODE (F1, F2, ETC)
3. CONTACT GRAD CONN IF THE ORIENTATION YOU REQUIRE IS NOT SHOWN.
4. WORKING FREQUENCY RANGE: DC-6GHz
5. OPERATING TEMPERATURE: -40°C TO +85°C
6. IMPEDANCE: 50 OHM.

USAGE PRECAUTIONS: CABLES USING 'MICRO' COAX ARE DELICATE:
 (i) HANDLE WITH CARE.
 (ii) DO NOT TWIST; APPLY EXCESSIVE FORCES OR SHARP BENDS TO THE CABLE. DO NOT FORCEFULLY DEFORM WIRES.
 (iii) CONSULT CONNECTOR MANUFACTURER'S DATASHEETS FOR DETAILED NOTES ON HANDLING INSTRUCTIONS.



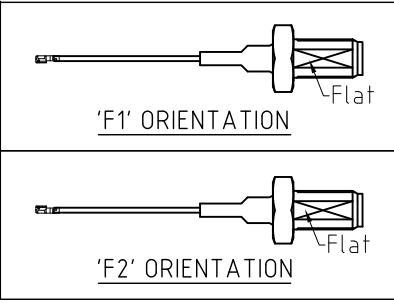
HOW TO ORDER

CAB645RF - XXXX - XX - X

"L" LENGTH IN MM:
 eg: 100MM = 0100
 (MIN. 0025-MAX.0400)
 STANDARD = 0100, 0150, 0200)
 Tolerance: <50mm : ± 2 mm.
 51-200mm : ± 5 mm.
 201-400mm : ± 7 mm.

WASHER AND NUT OPTIONS:
 BLANK = SEPERATELY PACKED (STANDARD)
 A = ASSEMBLED WITH CONNECTOR

ORIENTATION OPTIONS:
 BLANK = DOES NOT HAVE A FIXED ORIENTATION
 F1 = MHF CONNECTION DOWN (L=50-200MM)
 F2 = MHF CONNECTION UP (L=50-200MM)
 (SEE NOTES 1, 2, 3 AND DIAGRAMS FOR MORE INFORMATION)



REV. DATE & DRN
 TO 23/04/24 - CC RELEASE

Scale: NTS	THIRD ANGLE	Unstated .X .XX .XXX ANGLES	Tolerances: N/A N/A N/A N/A
Drawn: CC			
App'd: XXX	Title CABLE ASSEMBLY		
Date: 23 APR. '24	Revision: 1.0	Unit: mm	



IP Rated RF Products www.gradconn.com

THIS DRAWING IS CONFIDENTIAL AND MUST NOT BE COPIED OR DISCLOSED WITHOUT WRITTEN CONSENT

Drawing Number: CAB645RF	
Sheet 1	of 1
Drawing	E and O E