

CAB635RF: SMA STRAIGHT PLUG + ISOLATED TNC BULKHEAD JACK WITH O-RING RATED TO IP67 + RG178 CABLE, 6GHz

SPECIFICATIONS :

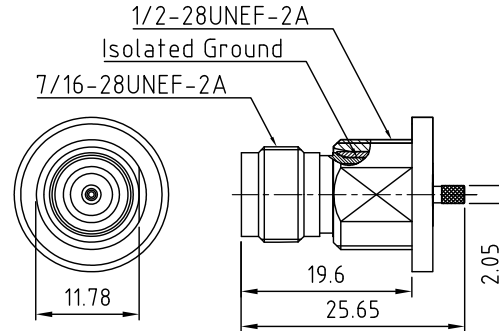
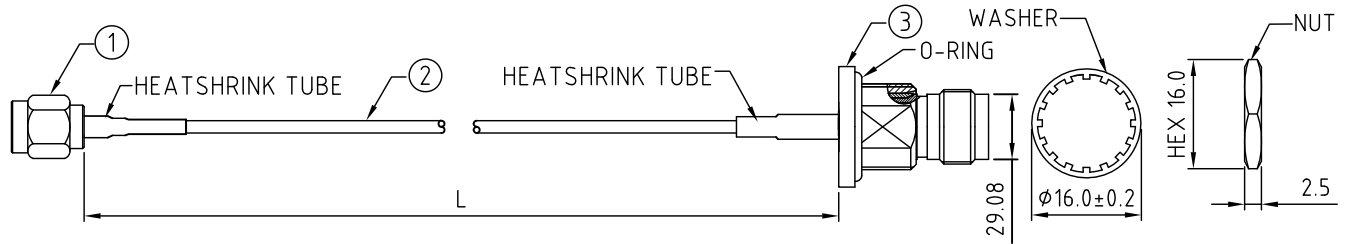
1. SMA STRAIGHT PLUG, P/N: RFCT-SMA022-M78.
2. RG178 COAXIAL CABLE, COLOR: BROWN.
3. ISOLATED TNC STRAIGHT BULKHEAD JACK WITH O-RING RATED TO IP67, P/N: RFCT-TNC016-F78.

ENVIRONMENTAL:

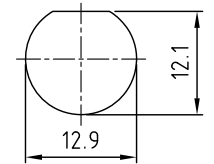
- A. BULKHEAD MOUNTED CONNECTOR (RFCT-TNC016-F78) RATED TO THE FOLLOWING SPECIFICATION:
- i. IP6X - DUST TIGHT - NO PARTICLE INGRESS.
  - ii. IPX7 WATERPROOF FOR 30 MINUTES UP TO 1 METER UNDERWATER.

NOTES:

1. WORKING FREQUENCY RANGE: DC-6GHz.
2. OPERATING TEMPERATURE: -40°C~+125°C.
3. IMPEDANCE: 50 Ohm.
4. CARE SHOULD BE TAKEN NOT TO OVERTIGHTEN THE MATING CONNECTOR. OVERTIGHTENING RISKS COMPROMISING THE IP RATING OF THE CONNECTOR.



TNC DETAIL DRAWING



RECOMMENDED MOUNTING HOLE  
MAX. PANEL THICKNESS: 4MM  
TOLERANCE: ±0.1

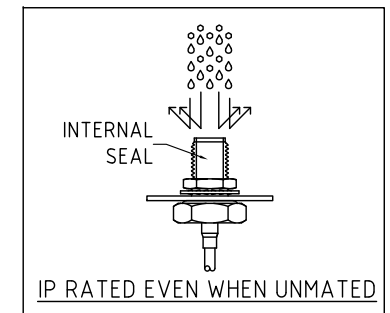
HOW TO ORDER

CAB635RF - X X X X - X - 1

"L" LENGTH IN MM:  
eg: 100MM = 0100  
(MIN. 0050-MAX.2000)  
STANDARD = 0100, 0150, 0200  
TOLERANCE: 50-200mm: ±5mm.  
201-500mm: ±7mm.  
501-999mm: ±10mm.  
≥1000mm: ±(Lx0.02)mm.

CABLE SIZE:  
1 = RG178 CABLE, COLOR: BROWN

WASHER AND NUT OPTIONS:  
BLANK = SEPARATELY PACKED (STANDARD)  
A = ASSEMBLED WITH CONNECTOR



REV. DATE & DRN TO 29/02/24 - NYW RELEASE

Scale: NTS	THIRD ANGLE	Unstated Tolerances: .X ±0.2 .XX ±0.2 .XXX ±0.2 ANGLES N/A
Drawn: NYW		
App'd: XXX	Title CABLE ASSEMBLY	
Date: 29 FEB. '24	Revision: 1.0	Unit: mm

IP Rated RF Products

www.gradconn.com

Drawing Number: CAB635RF	
Sheet 1	of 1
Drawing	E and O E