



CAB561RF: I-PEX MHF 4L LK PLUG + ϕ 1.37MM CABLE + STRIP / TIN

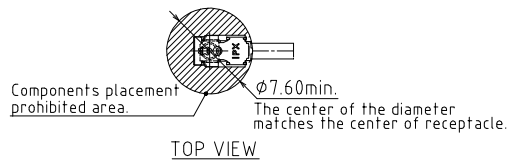
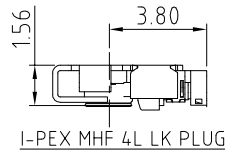
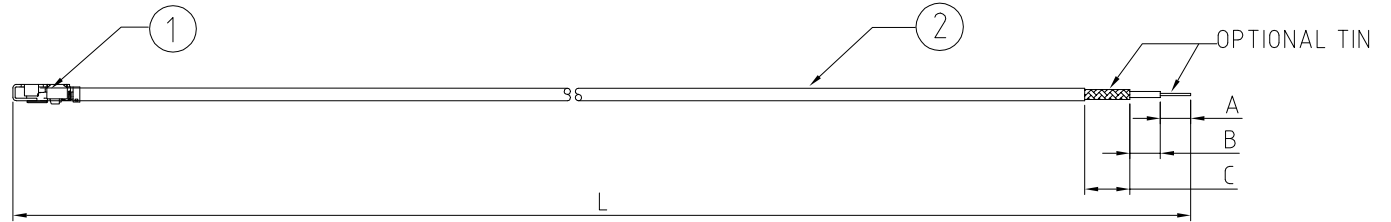
SPECIFICATIONS :

1. I-PEX MHF 4L LK PLUG, P/N: 20632-001R-37 + 3615-000.
2. ϕ 1.37MM COAXIAL CABLE, COLOR: BLACK.
3. TWISTED BRAID OR FLEXIBLE COPPER WIRE, LENGTH = A (CENTRE CONDUCTOR) + B (INSULATOR). MINIMUM = 6.0MM. LENGTH 6.0MM - 9.9MM: TWISTED BRAID. LENGTH +10MM: FLEXIBLE COPPER WIRE.

USAGE PRECAUTIONS: CABLES USING 'MICRO' COAX ARE DELICATE:
 (i) HANDLE WITH CARE.
 (ii) DO NOT TWIST; APPLY EXCESSIVE FORCES OR SHARP BENDS TO THE CABLE. DO NOT FORCEFULLY DEFORM WIRES.
 (iii) CONSULT CONNECTOR MANUFACTURER'S DATASHEETS FOR DETAILED NOTES ON HANDLING INSTRUCTIONS.

NOTES:

1. STRIP DIMENSION A / B / C STANDS FOR
 A = CENTRE CONDUCTOR
 B = INSULATOR
 C = BRAID.
2. INSERTION LOSS TEST REPORT IS NOT AVAILABLE.
3. THIS IS OUR STANDARD OFFERING, SPECIAL DESIGNS ARE AVAILABLE, INCLUDING CUSTOM TOLERANCES AND SPECIAL BRAID TINNING DESIGNS. PLEASE CONTACT GRADCONN FOR MORE INFORMATION.
4. CENTRE CONDUCTOR AND TWISTED BRAID OF COAX CABLE IS TINNED. WHEN BRAID LENGTH EXCEEDS 10MM LENGTH OF TINNED COPPER WIRE IS SOLDERED TO THE BRAID/SHIELD OF THE COAX CABLE WHICH ALLOWS SOLDERING TO PCB.
5. OPERATING TEMPERATURE: -40°C TO +85°C
6. IMPEDANCE: 50 OHM.



HOW TO ORDER
 CAB561RF - X X X X - X.X / X.X / X.X - X

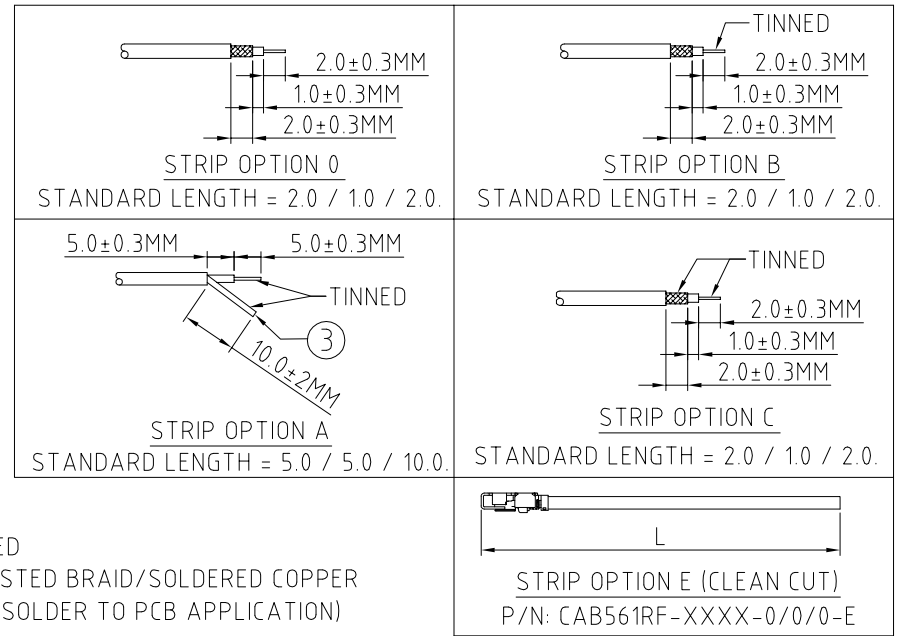
"L" LENGTH IN MM

eg: 100MM = 0100
 (MIN.0 025 - MAX. 0400
 STANDARD : 0100, 0150, 0200)
 TOLERANCE: <50MM: \pm 2MM
 51-200MM: \pm 5MM
 201-400MM: \pm 7MM

A/B/C STRIP DIMENSION IN MM
 FOR STANDARD LENGTH PLEASE
 REFER TO DRAWINGS.
 (SPECIALS AVAILABLE UPON
 REQUEST.)

STRIP AND TIN OPTIONS:

- 0 = STRIPPED ONLY, NOT TINNED
- A = CENTER CONDUCTOR & TWISTED BRAID/SOLDERED COPPER WIRE TINNED (SEE NOTE 4 FOR SOLDER TO PCB APPLICATION)
- B = STRIPPED, END A TINNED
- C = STRIPPED, END A & C TINNED
- E = CLEAN CUT



REV. DATE & DRN
 10 22/03/23 - NYW RELEASE

Scale: NTS	THIRD ANGLE	Unstated X .XX .XXX ANGLES	Tolerances: N/A N/A N/A N/A	Material SEE NOTE
Drawn: NYW				
App'd: XXX	Title: CABLE ASSEMBLY	NOT TO SCALE		
Date: 22 MAR. '23	Revision: 1.0	Unit: mm		

www.gradconn.com

THIS DRAWING IS CONFIDENTIAL AND MUST NOT BE COPIED OR DISCLOSED WITHOUT WRITTEN CONSENT

Drawing Number: CAB561RF	
Sheet 1	of 1
Drawing C	E and O E