

CAB546RF: I-PEX MHF PLUG + SMA RIGHT ANGLE BULKHEAD JACK WITH ORING + 1.37MM CABLE - 6GHz

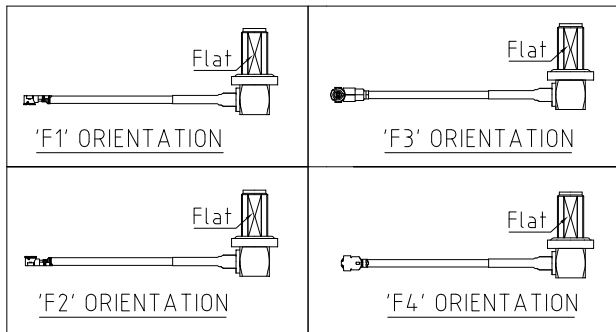
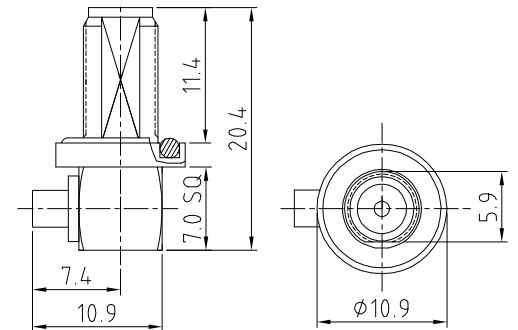
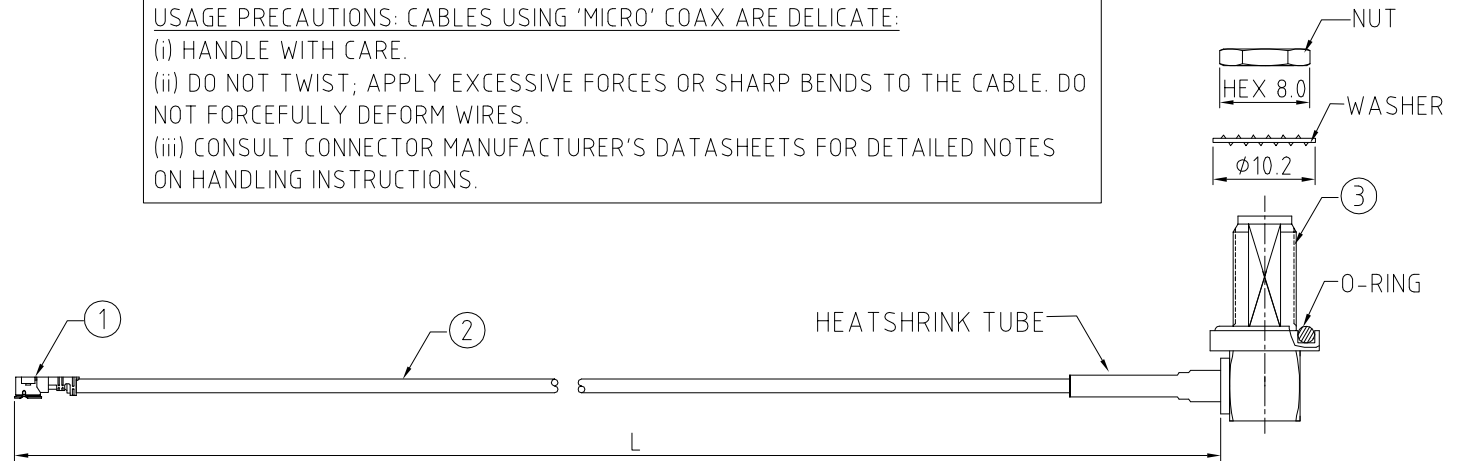
SPECIFICATIONS

1. I-PEX MHF I PLUG, P/N: 20351-112R-37.
2. COAXIAL CABLE, SEE PART NUMBER FOR DETAIL.
3. SMA RIGHT ANGLE BULKHEAD WITH O-RING, GOLD. P/N: RFCT-SMA113-F37.

NOTES:

1. THE ORIENTATION OF CONNECTORS ON DRAWING IS FOR REFERENCE ONLY, IF THE ORDER IS LEFT BLANK THE CONNECTOR WILL NOT HAVE FIXED ORIENTATION.
2. FIXED ORIENTATION IS SUGGESTED FOR CABLE LENGTH 50MM TO 100MM. PLEASE SPECIFY THE FIXED ORIENTATIONS FROM THE ORDER CODE (F1, F2, ETC)
3. CONTACT GRAD CONN IF THE ORIENTATION YOU REQUIRE IS NOT SHOWN.
4. WORKING FREQUENCY RANGE: DC-6GHz
5. IMPEDANCE: 50 OHM.
6. OPERATING TEMPERATURE: -40°C TO +85°C.

USAGE PRECAUTIONS: CABLES USING 'MICRO' COAX ARE DELICATE:
 (i) HANDLE WITH CARE.
 (ii) DO NOT TWIST; APPLY EXCESSIVE FORCES OR SHARP BENDS TO THE CABLE. DO NOT FORCEFULLY DEFORM WIRES.
 (iii) CONSULT CONNECTOR MANUFACTURER'S DATASHEETS FOR DETAILED NOTES ON HANDLING INSTRUCTIONS.



HOW TO ORDER

CAB546RF - XXXX - XX - X - 1 CABLE SIZE OPTIONS:
 1 = Ø1.37MM CABLE, COLOR: BLACK.

"L" LENGTH IN MM
 eg: 100MM = 0100
 (MIN.0050-MAX.0400)
 STANDARD = 0100, 0150, 0200
 Tolerance: 51-200mm: ±5mm.
 201-400mm: ±7mm.

WASHER AND NUT OPTIONS:
 BLANK = SEPERATELY PACKED (STANDARD)
 A = ASSEMBLED WITH CONNECTOR

ORIENTATION OPTIONS:
 BLANK = DOES NOT HAVE A FIXED ORIENTATION
 F1 = OPPOSITE ORIENTATION (L=50-200MM)
 F2 = SAME ORIENTATION (L=50-200MM)
 F3 = LEFT CONNECTION SAME AS D-FLAT (L=50-200MM)
 F4 = LEFT CONNECTION OPPOSITE TO D-FLAT (L=50-200MM)
 (SEE NOTES 1, 2, 3 AND DIAGRAMS FOR MORE INFORMATION)

REV. DATE & DRN
 10 08/02/23 - NYW RELEASE

Scale: NTS	THIRD ANGLE	Unstated X .XX .XXX ANGLES	Tolerances: N/A N/A N/A N/A	Material SEE NOTE
Drawn: NYW				
App'd: XXX	Title: CABLE ASSEMBLY	NOT TO SCALE		
Date: 8 FEB. '23	Revision: 1.0	Unit: mm		

www.gradconn.com

THIS DRAWING IS CONFIDENTIAL AND MUST NOT BE COPIED OR DISCLOSED WITHOUT WRITTEN CONSENT

Drawing Number: CAB546RF	
Sheet 1	of 1
Drawing ©	E and O E