

CAB540RF: I-PEX MHF 4L + ISOLATED SMA STRAIGHT BULKHEAD JACK WITH O-RING RATED TO IP67 + MULTIPLE CABLE SIZES, 6GHz

SPECIFICATIONS

- I-PEX MHF 4L PLUG, P/N:  
FOR  $\phi 1.37\text{MM}$  CABLE: 20632-001R-37.  
FOR  $\phi 1.13\text{MM}$  CABLE: 20565-001R-13.
- COAXIAL CABLE, SEE P/N OPTIONS FOR DETAIL.
- ISOLATED SMA STRAIGHT BULKHEAD WITH O-RING RATED TO IP67, NICKEL PLATED. P/N: RFCT-SMA085-F78 .

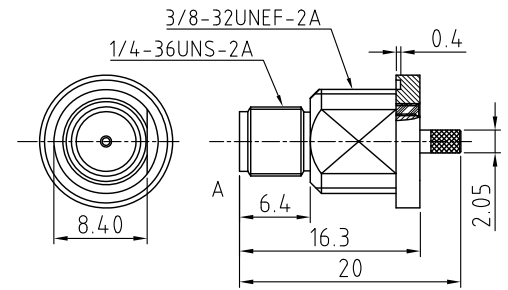
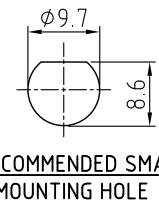
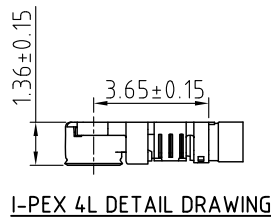
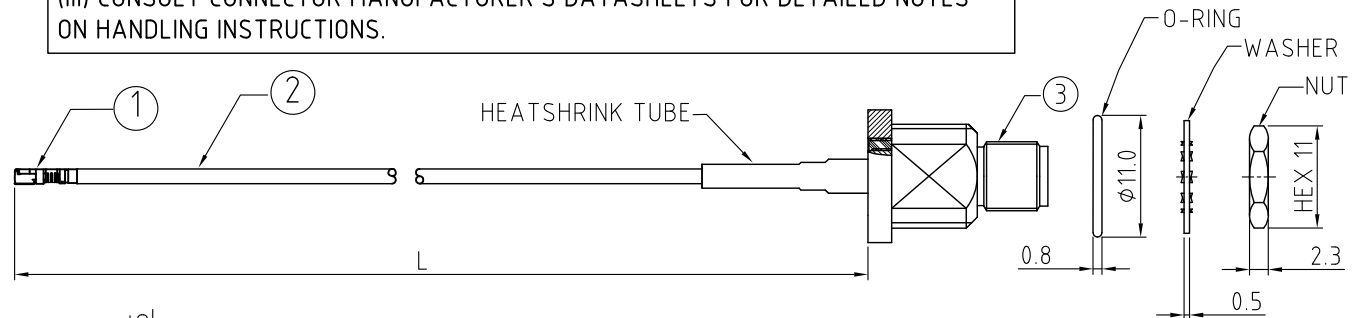
ENVIRONMENTAL:

- A. BULKHEAD MOUNTED CONNECTOR (RFCT-SMA085-F78) RATED TO THE FOLLOWING SPECIFICATION:
- IP6X - DUST TIGHT - NO PARTICLE INGRESS.
  - IPX7 WATERPROOF FOR 30 MINUTES UP TO 1 METER UNDER WATER.

NOTES:

- THE ORIENTATION OF CONNECTORS ON DRAWING IS FOR REFERENCE ONLY, IF THE ORDER IS LEFT BLANK THE CONNECTOR WILL NOT HAVE FIXED ORIENTATION.
- FIXED ORIENTATION IS SUGGESTED FOR CABLE LENGTH 50MM TO 100MM. PLEASE SPECIFY THE FIXED ORIENTATIONS FROM THE ORDER CODE (F1, F2, ETC)
- CONTACT GRAD CONN IF THE ORIENTATION YOU REQUIRE IS NOT SHOWN.
- WORKING FREQUENCY RANGE: DC-6GHz
- OPERATING TEMPERATURE:  $-40^{\circ}\text{C}$  TO  $+85^{\circ}\text{C}$
- IMPEDANCE: 50 OHM
- CARE SHOULD BE TAKEN NOT TO OVERTIGHTEN THE MATING CONNECTOR. OVERTIGHTENING RISKS COMPROMISING THE IP RATING OF THE CONNECTOR.

**USAGE PRECAUTIONS: CABLES USING 'MICRO' COAX ARE DELICATE:**  
 (i) HANDLE WITH CARE.  
 (ii) DO NOT TWIST; APPLY EXCESSIVE FORCES OR SHARP BENDS TO THE CABLE. DO NOT FORCEFULLY DEFORM WIRES.  
 (iii) CONSULT CONNECTOR MANUFACTURER'S DATASHEETS FOR DETAILED NOTES ON HANDLING INSTRUCTIONS.



HOW TO ORDER

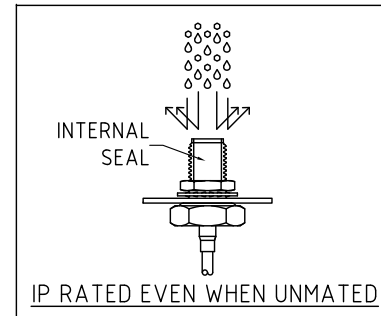
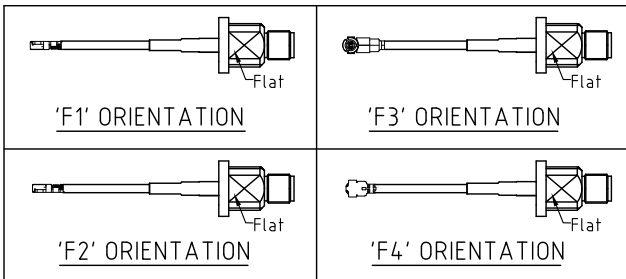
CAB540RF - X X X X - X X - X - X

"L" LENGTH IN MM  
 eg: 100MM = 0100  
 (MIN. 0050-  
 MAX.0500 FOR 1.37mm CABLE  
 0600 FOR 1.13mm CABLE  
 STANDARD = 0100, 0150, 0200)  
 Tolerance: 50-200mm:  $\pm 5\text{mm}$ .  
 200-500mm:  $\pm 7\text{mm}$ .  
 >500mm:  $\pm 10\text{mm}$ .

CABLE SIZE OPTIONS:  
 1 =  $\phi 1.37\text{MM}$  CABLE, COLOR: BLACK  
 2 =  $\phi 1.13\text{MM}$  CABLE, COLOR: BLACK

WASHER AND NUT OPTIONS:  
 BLANK = SEPARATELY PACKED (STANDARD)  
 A = ASSEMBLED WITH CONNECTOR

ORIENTATION OPTIONS:  
 BLANK = DOES NOT HAVE A FIXED ORIENTATION  
 F1 = MHF CONNECTION DOWN (L=50-200MM)  
 F2 = MHF CONNECTION UP (L=50-200MM)  
 F3 = MHF CONNECTION AND D FLAT SAME ORIENTATION (L=50-200MM)  
 F4 = MHF CONNECTION AND D FLAT OPPOSITE ORIENTATION (L=50-200MM)  
 (SEE NOTES 1, 2, 3 AND DIAGRAMS FOR MORE INFORMATION)



REV. DATE & DRN  
 TO 22/07/22 - NYW RELEASE  
 11 09/07/23 - NYW 2  
 12 07/07/23 - NYW  
 13 25/02/24 - CC  
 ADD IP RATING VIEW

|                   |                      |   |   |
|-------------------|----------------------|---|---|
| Scale: NTS        | THIRD ANGLE          | Unstated<br>.X<br>.XX<br>.XXX<br>ANGLES | Tolerances:<br>N/A<br>N/A<br>N/A<br>N/A |
| Drawn: CC         |                      |   |   |
| App'd: XXX        | Title CABLE ASSEMBLY |   |   |
| Date: 25 FEB. '24 | Revision: 1.3        | Unit: mm                                |   |



IP Rated RF Products



www.gradconn.com

|                             |           |
|-----------------------------|-----------|
| Drawing Number:<br>CAB540RF |           |
| Sheet 1                     | of 1      |
| Drawing ©                   | E and O E |