

BB02-YK

CUSTOMER PRODUCT SPECIFICATION SHEET



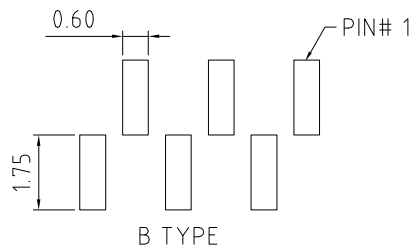
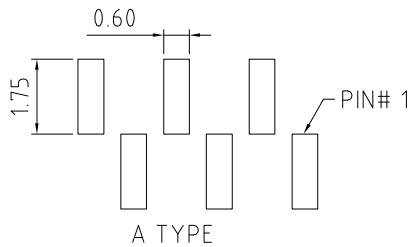
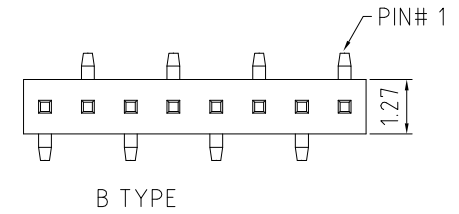
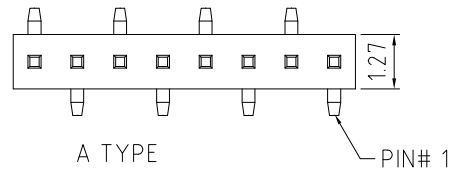
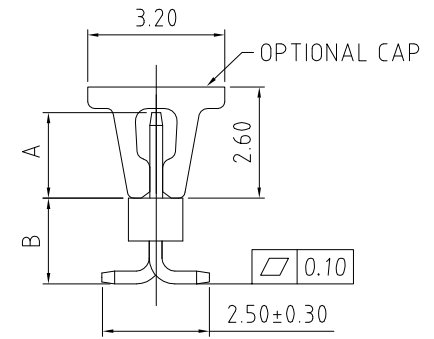
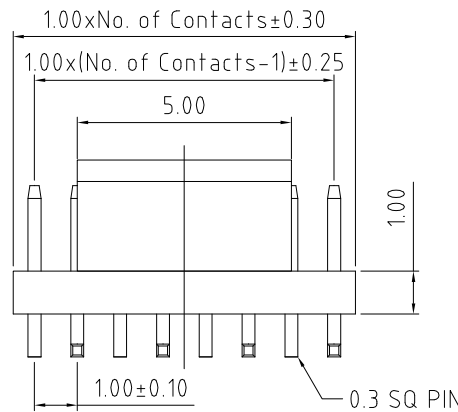
BB02-YK:- 1.00MM (0.039") PIN HEADER, SINGLE ROW, STRAIGHT, SMT TYPE, 02 TO 35 CONTACTS

SPECIFICATIONS

CURRENT RATING: 1AMP
 INSULATOR RESISTANCE: 1000 MEGOHMS MIN.
 DIELECTRIC WITHSTANDING: AC 300 V
 CONTACT RESISTANCE: 20m OHMS MAX.
 OPERATING TEMPERATURE: -40°C TO +105°C
 CONTACT MATERIAL: PHOSPHOR BRONZE
 INSULATOR MATERIAL: THERMOPLASTIC, UL 94V-0
 STANDARD: LCP+30% G/F
 PLATING: GOLD FLASH OR TIN OVER 30-50U" NICKEL
 SOLDERABILITY IR REFLOW: 280°C FOR 10 SEC
 MANUAL SOLDER: 380°C FOR 3-5 SEC

MATES WITH: - BB02-WD
 BB02-WE
 BB02-WF

NOTES:
 1. PARTS WITH SMALLER PIN NUMBERS MAY BE PACKED IN BOX INSTEAD OF TUBE.



RECOMMENDED PCB LAYOUT
 (Tolerance: ±0.05)

HOW TO ORDER

B	B	0	2	-	Y	K	X	X	1	-	X	X	X	-	X	X	X	X	0	0
NO. OF CONTACTS: 02 to 35 Δ				FOOTPRINT TYPE: A = A TYPE B = B TYPE							PACKAGING OPTIONS: 3 = TUBE 5 = TUBE + CAP 6 = TAPE & REEL 8 = TAPE & REEL + CAP (see Note 1)				PIN LENGTH A (1/10mm) PLEASE SPECIFY PIN LENGTH REQUIRED I.E. 2.5mm = 25 STANDARD = 20 (MIN. 15 - MAX. 80) TOL. ±0.25mm		PIN LENGTH B (1/10mm) PLEASE SPECIFY PIN LENGTH REQUIRED I.E. 2.5mm = 25 STANDARD = 20 MINIMUM LENGTH : 15 TOL. ±0.25mm			
CONTACT PLATING OPTIONS: K = GOLD FLASH (STANDARD) T = BRIGHT TIN M = MATT TIN																				

REV.	DATE & DRN
1.0	11/08/08-NYW- RELEASE
1.1	25/07/08-NYW- DRAWING MODIFICATION
1.2	16/10/08-NYW- AMEND SPECIFICATION
1.3	21/02/10-CHC- AMENDED NUMBER OF WAYS
1.4	08/09/11- EHC- AMEND PIN A LENGTH RANGE
1.5	11/09/12- NYW- CHANGE MAX. PIN# TO 35
1.6	17/03/14- NYW- ADD NOTE 1.

Scale: 8:1	THIRD ANGLE	Unstated Tolerances: X ± 0.30 X ± 0.25 .XX ± 0.15 .XXX ± 0.10	Material: SEE NOTE
Drawn: NYW		Title: PIN HEADER	NOT TO SCALE
App'd: XXX	Date: 17 MAR '14	Revision: 1.6	Unit: mm

www.gradconn.com

THIS DRAWING IS CONFIDENTIAL AND MUST NOT BE COPIED OR DISCLOSED WITHOUT WRITTEN CONSENT

Type BB02-YK
BB02-YK
Drawing Number:
Sheet 1 of 1
Drawing © E and O E