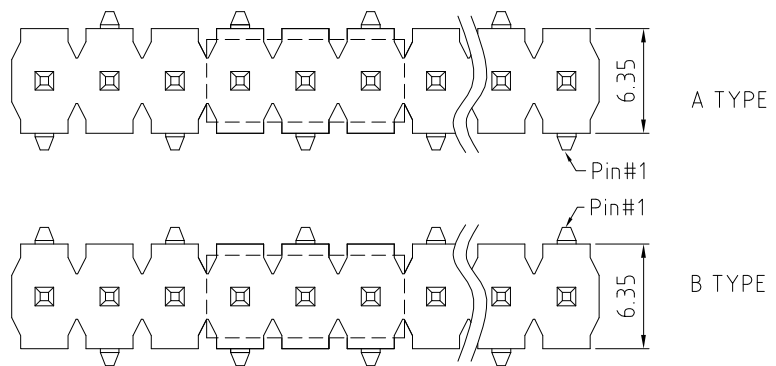


BB02-UK: 3.96mm (0.156") HEADER, STRAIGHT, SINGLE ROW, SMT TYPE - 02 to 24 CONTACTS

SPECIFICATIONS

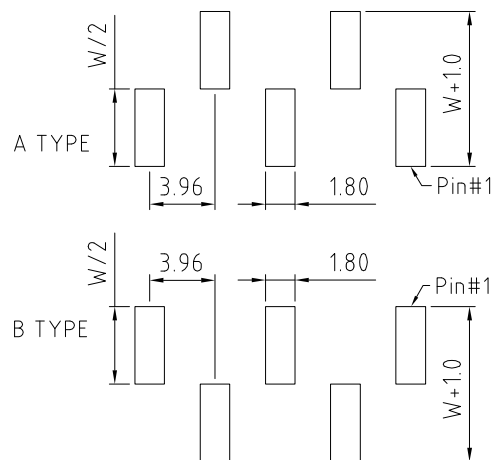
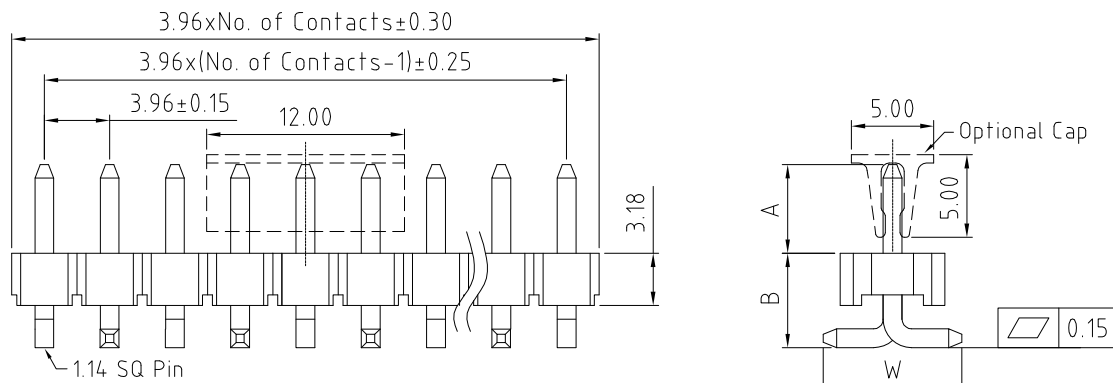
CURRENT RATING	7.9 AMP
INSULATOR RESISTANCE	1000 MEGOHMS MIN. Δ
CONTACT RESISTANCE	30m ohms MAX. Δ
DIELECTRIC WITHSTANDING	1000V AC/DC Δ
OPERATING TEMPERATURE	-40°C TO +105°C Δ
CONTACT MATERIAL	BRASS
INSULATOR MATERIAL	LCP+30% G/F, UL 94V-0
PLATING	MATT TIN OVER 30-50U" NICKEL
SOLDERABILITY	IR REFLOW: 280°C FOR 10 SEC
	MANUAL SOLDER: 380°C FOR 3-5 SEC



MATES WITH: - BB02-US
BB02-UT

NOTES:

1. GOLD FLASH PLATING IS AVAILABLE UPON REQUEST, PLEASE CONTACT US FOR MORE INFORMATION.



RECOMMENDED PCB SMT LAYOUT (TOLERANCE: ±0.05)

HOW TO ORDER

BB02 - UK XX1 - MXX - XX57A0

NO. OF CONTACTS: 02 TO 24
 CONNECTOR TYPE: A = A TYPE, B = B TYPE
 CONTACT PLATING OPTIONS: M = MATT TIN (STANDARD)
 PACKAGING OPTIONS: 2 = BOX (STANDARD), 6 = TAPE & REEL, 8 = TAPE & REEL + CAP (MIN. 3PINS)

PIN LENGTH A (1/10mm) SPECIFY PIN LENGTH
 STANDARD = 50 = 5.0mm
 MAXIMUM = 12.0mm
 TOL.: ±0.25

PIN LENGTH B (1/10mm) STANDARD = 57 = 5.73mm
 TOL.: ±0.25

FOOTPRINT 'W' OPTIONS:
 A = 8.40mm (STANDARD)
 TOL.: ±0.30

LONGER PIN LENGTH REQUIRED?
 If pin length required is longer than 9.9mm (99), then use a '/' to separate the numbers.
 Example: A=12.0mm, B=5.73mm, C=A, mark as 120 / 53 / A0.

REV. DATE & DRN
1.0 24/06/12 - NEW RELEASE
1.1 27/07/12 - NEW RELEASE
1.2 27/07/12 - NEW RELEASE
1.3 27/07/12 - NEW RELEASE
1.4 27/07/12 - NEW RELEASE
1.5 27/07/12 - NEW RELEASE
1.6 27/07/12 - NEW RELEASE
1.7 27/07/12 - NEW RELEASE
1.8 27/07/12 - NEW RELEASE
1.9 27/07/12 - NEW RELEASE
2.0 27/07/12 - NEW RELEASE
2.1 27/07/12 - NEW RELEASE
2.2 27/07/12 - NEW RELEASE
2.3 27/07/12 - NEW RELEASE
2.4 27/07/12 - NEW RELEASE
2.5 27/07/12 - NEW RELEASE
2.6 27/07/12 - NEW RELEASE
2.7 27/07/12 - NEW RELEASE
2.8 27/07/12 - NEW RELEASE
2.9 27/07/12 - NEW RELEASE
3.0 27/07/12 - NEW RELEASE
3.1 27/07/12 - NEW RELEASE
3.2 27/07/12 - NEW RELEASE
3.3 27/07/12 - NEW RELEASE
3.4 27/07/12 - NEW RELEASE
3.5 27/07/12 - NEW RELEASE
3.6 27/07/12 - NEW RELEASE
3.7 27/07/12 - NEW RELEASE
3.8 27/07/12 - NEW RELEASE
3.9 27/07/12 - NEW RELEASE
4.0 27/07/12 - NEW RELEASE
4.1 27/07/12 - NEW RELEASE
4.2 27/07/12 - NEW RELEASE
4.3 27/07/12 - NEW RELEASE
4.4 27/07/12 - NEW RELEASE
4.5 27/07/12 - NEW RELEASE
4.6 27/07/12 - NEW RELEASE
4.7 27/07/12 - NEW RELEASE
4.8 27/07/12 - NEW RELEASE
4.9 27/07/12 - NEW RELEASE
5.0 27/07/12 - NEW RELEASE
5.1 27/07/12 - NEW RELEASE
5.2 27/07/12 - NEW RELEASE
5.3 27/07/12 - NEW RELEASE
5.4 27/07/12 - NEW RELEASE
5.5 27/07/12 - NEW RELEASE
5.6 27/07/12 - NEW RELEASE
5.7 27/07/12 - NEW RELEASE
5.8 27/07/12 - NEW RELEASE
5.9 27/07/12 - NEW RELEASE
6.0 27/07/12 - NEW RELEASE
6.1 27/07/12 - NEW RELEASE
6.2 27/07/12 - NEW RELEASE
6.3 27/07/12 - NEW RELEASE
6.4 27/07/12 - NEW RELEASE
6.5 27/07/12 - NEW RELEASE
6.6 27/07/12 - NEW RELEASE
6.7 27/07/12 - NEW RELEASE
6.8 27/07/12 - NEW RELEASE
6.9 27/07/12 - NEW RELEASE
7.0 27/07/12 - NEW RELEASE
7.1 27/07/12 - NEW RELEASE
7.2 27/07/12 - NEW RELEASE
7.3 27/07/12 - NEW RELEASE
7.4 27/07/12 - NEW RELEASE
7.5 27/07/12 - NEW RELEASE
7.6 27/07/12 - NEW RELEASE
7.7 27/07/12 - NEW RELEASE
7.8 27/07/12 - NEW RELEASE
7.9 27/07/12 - NEW RELEASE
8.0 27/07/12 - NEW RELEASE
8.1 27/07/12 - NEW RELEASE
8.2 27/07/12 - NEW RELEASE
8.3 27/07/12 - NEW RELEASE
8.4 27/07/12 - NEW RELEASE
8.5 27/07/12 - NEW RELEASE
8.6 27/07/12 - NEW RELEASE
8.7 27/07/12 - NEW RELEASE
8.8 27/07/12 - NEW RELEASE
8.9 27/07/12 - NEW RELEASE
9.0 27/07/12 - NEW RELEASE
9.1 27/07/12 - NEW RELEASE
9.2 27/07/12 - NEW RELEASE
9.3 27/07/12 - NEW RELEASE
9.4 27/07/12 - NEW RELEASE
9.5 27/07/12 - NEW RELEASE
9.6 27/07/12 - NEW RELEASE
9.7 27/07/12 - NEW RELEASE
9.8 27/07/12 - NEW RELEASE
9.9 27/07/12 - NEW RELEASE
10.0 27/07/12 - NEW RELEASE

Scale: 3:1	THIRD ANGLE	Unstated Tolerances: X. ± 0.30 .X ± 0.25 XX ± 0.15 .XXX ± 0.10	Material SEE NOTE	 www.gradconn.com	Type: BB02-UK
Drawn: NYW					BB02-UK
App'd: XXXX	Title: HEADER		NOT TO SCALE		Drawing Number:
Date: 22 JUL '14	Revision: 11		Unit: mm		Sheet 1 of 1
THIS DRAWING IS CONFIDENTIAL AND MUST NOT BE COPIED OR DISCLOSED WITHOUT WRITTEN CONSENT					Drawing © E and OE