

BB02-TE

CUSTOMER PRODUCT SPECIFICATION SHEET



BB02-TE :- 2.54MM (0.1") TRIPLE ROW PIN HEADER, THROUGH HOLE, STRAIGHT, 09 TO 120 CONTACTS

SPECIFICATIONS

CURRENT RATING 3 AMPS
 INSULATOR RESISTANCE 1000 MEGOHMS MIN.
 CONTACT RESISTANCE 20 MILLIOHMS MAX.
 DIELECTRIC WITHSTANDING 600 V AC/DC
 OPERATING TEMPERATURE -40°C TO +105°C
 CONTACT MATERIAL BRASS
 INSULATOR MATERIAL THERMOPLASTIC, UL 94V-0

NYLON 6T : STANDARD
 P.B.T. : SPECIAL OPTION

FINISH GOLD, SELECTIVE GOLD OR TIN PLATED OVER 30-50U" NICKEL

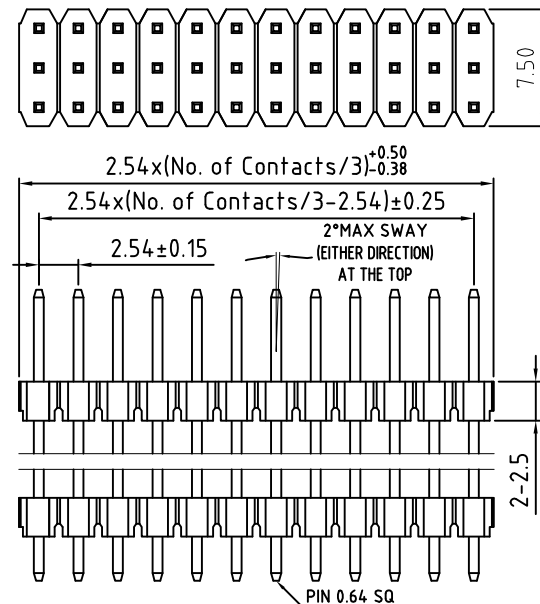
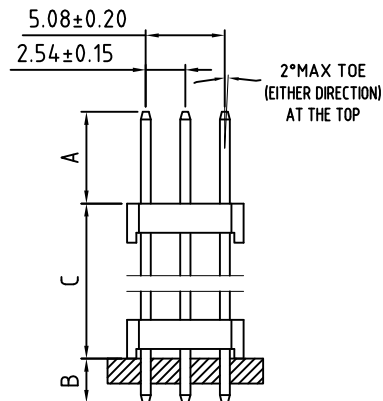
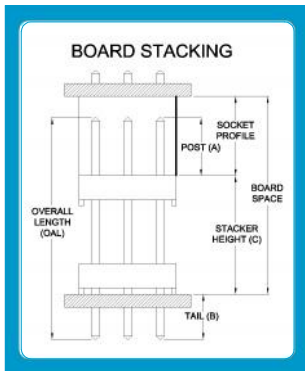
SOLDERABILITY: NYLON 6T - IR REFLOW: 260°C FOR 10 SEC
 WAVE: 230°C FOR 5-10 SEC
 MANUAL SOLDER: 350°C FOR 3-5 SEC
 PBT - MANUAL SOLDER: 330°C FOR 3-5 SEC
 (NOT SUITABLE FOR HI-TEMP PROCESS)

PACKED LOOSE IN BAG.

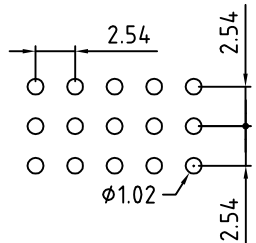
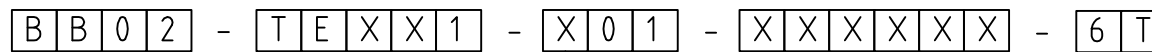
MATES WITH :- BB02-LA
 BB02-LB

NOTES:

1. MAX. OAL (OVERALL PIN LENGTH A+C+B) = 50mm.



HOW TO ORDER



RECOMMENDED PC BOARD HOLE LAYOUT

NO. OF CONTACTS
 09 to 99
 102 Contacts = A2
 105 Contacts = A5
 108 Contacts = A8
 111 Contacts = B1
 114 Contacts = B4
 117 Contacts = B7
 120 Contacts = C0

CONTACT PLATING OPTIONS
 K = GOLD FLASH (STANDARD)
 A = 10U" GOLD ON CONTACT/GOLD FLASH ON TAIL
 B = 15U" GOLD ON CONTACT/GOLD FLASH ON TAIL
 C = 30U" GOLD ON CONTACT/GOLD FLASH ON TAIL
 T = BRIGHT TIN
 M = MATT TIN
 D = GOLD FLASH ON CONTACT/TIN ON TAIL
 E = 10U" GOLD ON CONTACT/TIN ON TAIL
 F = 15U" GOLD ON CONTACT/TIN ON TAIL
 G = 30U" GOLD ON CONTACT/TIN ON TAIL

PIN LENGTH A (1/10mm)
 SPECIFY PIN LENGTH
 STANDARD = 60 = 6.0mm
 MINIMUM = 10 = 1.0mm
 MAXIMUM = 150 = 15.0mm
 TOL.: ±0.25mm

PIN LENGTH B (1/10mm)
 SPECIFY PIN LENGTH
 STANDARD = 30 = 3.0mm
 MINIMUM = 10 = 1.0mm
 MAXIMUM = 150 = 15.0mm
 TOL.: ±0.25mm

INSULATOR MATERIAL
 6T = NYLON 6T (STANDARD)
 BLANK = PBT (Not suitable for new designs.)

PIN LENGTH C (1/10mm)
 SPECIFY PIN LENGTH
 MINIMUM = 51 = 5.1mm
 MAXIMUM = SEE NOTE 1
 TOL.: ±0.25mm

LONGER PIN LENGTH REQUIRED?
 If pin length required is longer than 9.9mm (99), then use a '/' to separate the numbers.
 Example: A=6.0mm, B=3.0mm, C=12.5mm, mark as 60 / 30 / 125.

REV.	DATE & DRN
10	20/09/08 - CHC RELEASE
11	25/12/08 - NYW
12	20/05/16 - R.JH
	INS. W. & H. AMENDED

Scale:	3:1	THIRD ANGLE	Unstated Tolerances:	Material
Drawn:	CHC		X. ± 0.30	SEE NOTE
App'd:	XXXX	Title	.X ± 0.25	NOT TO SCALE
Date:	20 MAY '16	Revision:	.XX ± 0.15	Unit: mm
			.XXX ± 0.10	

www.gradconn.com

THIS DRAWING IS CONFIDENTIAL AND MUST NOT BE COPIED OR DISCLOSED WITHOUT WRITTEN CONSENT

Type:	BB02-TE
	BB02-TE
Drawing Number:	Sheet 1 of 1
Drawing	© E and O E