

BB02-RE : 2.00mm MINI JUMPER, CLOSED TYPE, 2 CONTACTS

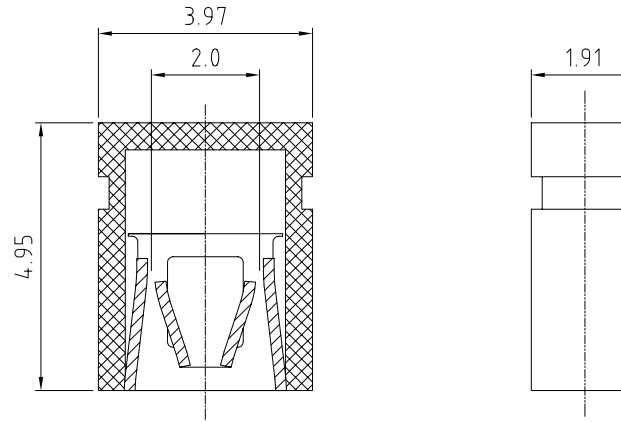
SPECIFICATIONS

CURRENT RATING	3 AMPS
VOLTAGE RATING	250V AC/DC
WITHSTANDING VOLTAGE	1000V AC/MINUTE
INSULATOR RESISTANCE	1000 MEGOHMS MIN.
CONTACT RESISTANCE	20m OHMS MIN.
OPERATING TEMPERATURE	-40°C TO +105°C
CONTACT MATERIAL	PHOSPHOR BRONZE
INSULATOR MATERIAL	POLYESTER UL 94V-0
PLATING	STANDARD: PBT GOLD FLASH OVER NICKEL

MATES WITH: - 2.0MM PIN HEADERS

NOTES:

1. PACKAGING: 2,000PCS PER BAG.



HOW TO ORDER

BB02 - RE022 - K01 - 0000000

Scale: 10=1	THIRD ANGLE	Unstated Tolerances: X ± 0.3 XX ± 0.2	Material SEE NOTE
Drawn: NYW			Material SEE NOTE
App'd: XXXX	Title JUMPER		NOT TO SCALE
Date: 22 JUL '08	Revision: 1.0		Unit: mm

www.gradconn.com

© THIS DRAWING IS CONFIDENTIAL AND MUST NOT BE COPIED OR DISCLOSED WITHOUT WRITTEN CONSENT

Type: BB02-RE
BB02-RE
Drawing Number:
Sheet 1 of 1
Drawing © E and OE