

BB02-KM :- 2.54mm X 2.54mm (0.1" X 0.1") SOCKET, DUAL ROW, STRAIGHT, THROUGH HOLE - 04 TO 80 CONTACTS, DUAL ENTRY TYPE

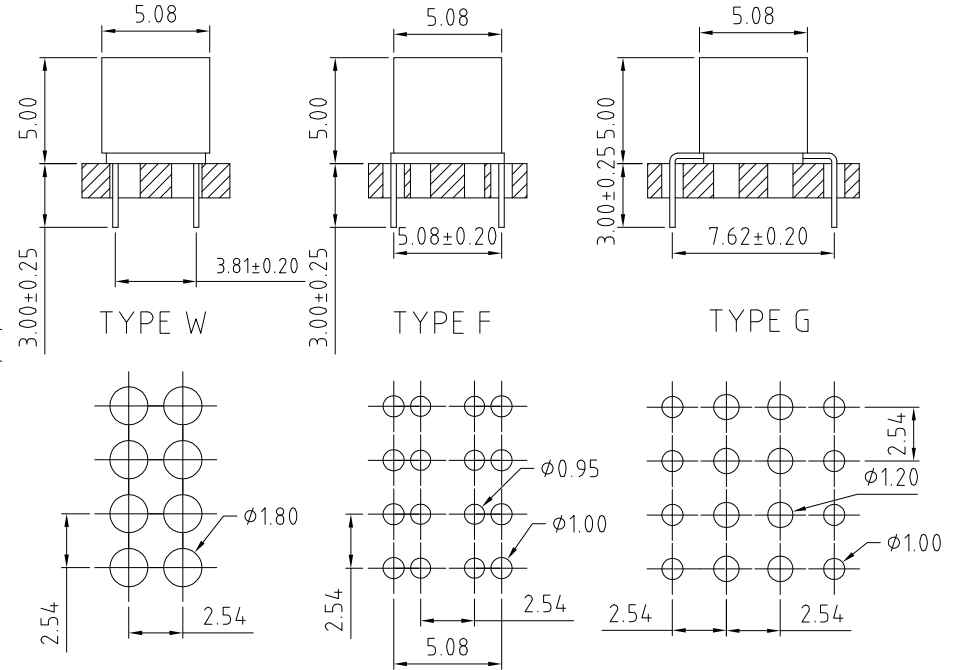
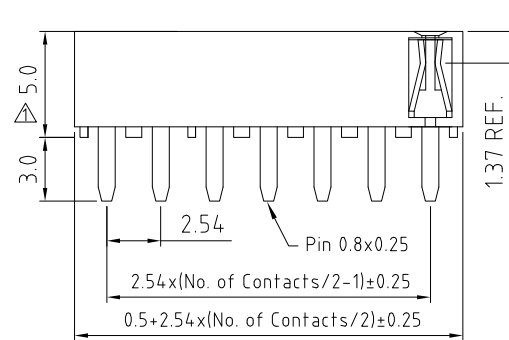
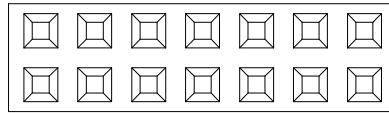
SPECIFICATIONS

CURRENT RATING 3 AMPS
 INSULATOR RESISTANCE 1000 MEGOHMS MIN.
 CONTACT RESISTANCE 20 M OHMS MAX
 DIELECTRIC WITHSTANDING AC 600 V
 OPERATING TEMPERATURE -40°C TO +105°C
 CONTACT MATERIAL PHOSPHOR BRONZE
 INSULATOR MATERIAL POLYESTER UL 94V-0
 NYLON 6T : STANDARD
 PBT : SPECIAL OPTION
 PLATING GOLD, TIN OR SELECTIVE OVER 30-50U" NICKEL.
 SOLDERABILITY: NYLON 6T - IR REFLOW: 260°C FOR 10 SEC
 WAVE: 230°C FOR 5-10 SEC
 MANUAL SOLDER: 350°C FOR 3-5 SEC
 PBT - MANUAL SOLDER: 330°C FOR 3-5 SEC
 (NOT SUITABLE FOR HI-TEMP PROCESS)

NOTES:

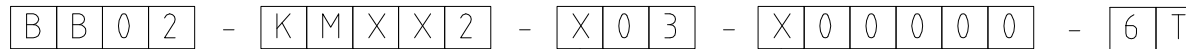
1. PACKED IN TUBES.
2. RECOMMENDED MATING PIN LENGTH FOR TOP ENTRY: 4.5MM. Δ

MATES WITH: BB02-HE BB02-TD
 BB02-HJ BB02-TF
 BB02-HP BB02-TG
 BB02-HU BB02-TH



RECOMMENDED PCB HOLE LAYOUT

HOW TO ORDER



NO. OF CONTACTS:
04 TO 80

CONTACT PLATING OPTIONS:
K = GOLD FLASH (STANDARD)

A = 10U" GOLD ON CONTACT/GOLD FLASH ON TAIL
 B = 15U" GOLD ON CONTACT/GOLD FLASH ON TAIL
 C = 30U" GOLD ON CONTACT/GOLD FLASH ON TAIL
 T = BRIGHT TIN
 M = MATT TIN

D = GOLD FLASH ON CONTACT/BRIGHT TIN ON TAIL
 E = 10U" GOLD ON CONTACT/BRIGHT TIN ON TAIL
 F = 15U" GOLD ON CONTACT/BRIGHT TIN ON TAIL
 G = 30U" GOLD ON CONTACT/BRIGHT TIN ON TAIL

PITCH TYPE:
W = 3.81mm
F = 5.08mm
G = 7.62mm

INSULATOR MATERIAL: Δ
 6T = NYLON 6T (STANDARD)
 BLANK = PBT (Not suitable for new designs.)

REV.	DATE & DRN
10	13/08/04-A-MCI-NEW
11	24/09/04-NYW
Δ	DIMENSION MODIFICATION
12	15/08/06-CHC
Δ	ADD PLASTIC OPTION
13	29/05/07-NYW
Δ	ADD NOTES 2.
14	18/01/08-NYW
	PLATING MODIFICATION
15	28/05/08-PN
	ADD MATT TIN PLATING
16	13/07/09-NYW
	DRAWING MODIFICATION
17	12/03/14-NYW
	AMEND MATING P/N.

Scale: 4:1	THIRD ANGLE	Unstated Tolerances: X ± 0.30 .X ± 0.25 .XX ± 0.15 .XXX ± 0.10	Material SEE NOTE
Drawn: CHC			NOT TO SCALE
App'd: XXXX	Title: SOCKET		Unit: mm
Date: 12 MAR. '14	Finish: 1.7		



www.gradconn.com

THIS DRAWING IS CONFIDENTIAL AND MUST NOT BE COPIED OR DISCLOSED WITHOUT WRITTEN CONSENT

Type: BB02-KM
BB02-KM
Drawing Number:
Sheet 1 of 2
Drawing © E and O E