

BB02-HJ

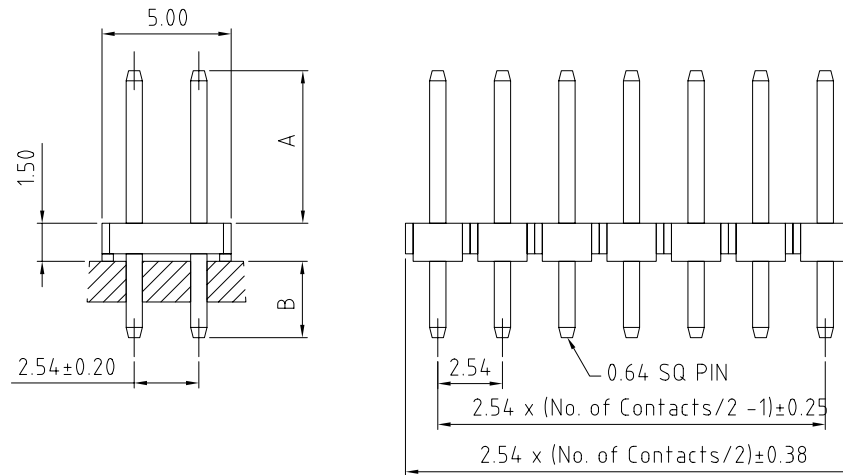
CUSTOMER PRODUCT SPECIFICATION SHEET



BB02-HJ :- 2.54mm x 2.54mm (0.1" x 0.1") PIN HEADER, DUAL ROW LOW PROFILE 04 to 80 CONTACTS

SPECIFICATIONS

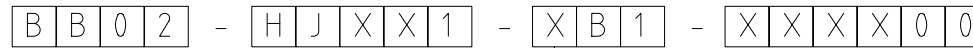
CURRENT RATING 3 AMP
 INSULATOR RESISTANCE 1000 MEGOHMS MIN.
 DIELECTRIC WITHSTANDING AC 600 V
 OPERATING TEMPERATURE -40°C +105°C
 CONTACT MATERIAL BRASS
 INSULATOR MATERIAL POLYESTER UL 94V-0
 STANDARD NYLON 6T
 PLATING GOLD, TIN OR SELECTIVE OVER 30-50U" NICKEL
 SOLDERABILITY IR REFLOW: 260°C FOR 10 SEC
 WAVE: 230°C FOR 5-10 SEC
 MANUAL SOLDER: 350°C FOR 3-5 SEC



PACKED LOOSE IN BAG OR BOX.

MATES WITH :- BB02-JM BB02-KM BB02-LE
 BB02-KA BB02-KQ
 BB02-KD BB02-KS
 BB02-KF BB02-KT
 BB02-KG BB02-KU
 BB02-KH BB02-KW
 BB02-KK BB02-LD

HOW TO ORDER



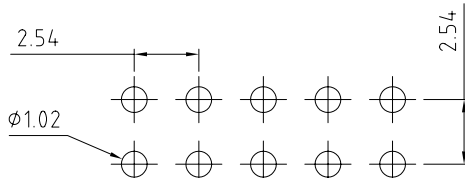
NO. OF CONTACTS
04 to 80

CONTACT PLATING OPTIONS

K = GOLD FLASH (STANDARD)
 A = 10U" GOLD ON CONTACT/GOLD FLASH ON TAIL
 B = 15U" GOLD ON CONTACT/GOLD FLASH ON TAIL
 C = 30U" GOLD ON CONTACT/GOLD FLASH ON TAIL
 T = BRIGHT TIN
 M = MATT TIN
 D = GOLD FLASH ON CONTACT/BRIGHT TIN ON TAIL
 E = 10U" GOLD ON CONTACT/BRIGHT TIN ON TAIL
 F = 15U" GOLD ON CONTACT/BRIGHT TIN ON TAIL
 G = 30U" GOLD ON CONTACT/BRIGHT TIN ON TAIL

PIN LENGTH A (1/10mm)
 PLEASE SPECIFY PIN LENGTH REQUIRED
 I.E. 2.5mm = 25
 STANDARD = 60
 TOL.: ±0.25MM

PIN LENGTH B (1/10mm)
 PLEASE SPECIFY PIN LENGTH REQUIRED
 I.E. 2.5mm = 25
 STANDARD = 30
 TOL.: ±0.25MM



RECOMMENDED PC BOARD HOLE LAYOUT
(TOLERANCE: ±0.05)

REV	DATE & DRN
10	29/06/02 - SJT NEW
11	23/08/04 - CHC REMOVE PIN OPTION A
12	15/08/06 - NYW REMOVE PIN MATERIAL C
13	25/02/08 - NYW PLATING MODIFICATION
14	10/02/09 - CHC DRAWING MODIFICATION

Scale: 5:1	THIRD ANGLE	Unstated Tolerances: X ±0.30 .X ±0.25 .XX ±0.15 XXX ±0.10	Material SEE NOTE
Drawn: CHC			
App'd: NYW	Title: PIN HEADER		NOT TO SCALE
Date: 10 FEB '09	Revision: 1.4		Unit: mm

www.gradconn.com

THIS DRAWING IS CONFIDENTIAL AND MUST NOT BE COPIED OR DISCLOSED WITHOUT WRITTEN CONSENT

Type: BB02-HJ
BB02-HJ
Drawing Number:
Sheet 1 of 1
Drawing © E and O E