

BB02-FU :- 2.00mm X 2.00mm (0.079" X 0.079") PIN HEADER, DUAL ROW, STRAIGHT, SMT TYPE BOARD SPACER, 06 to 80 CONTACTS

SPECIFICATIONS :

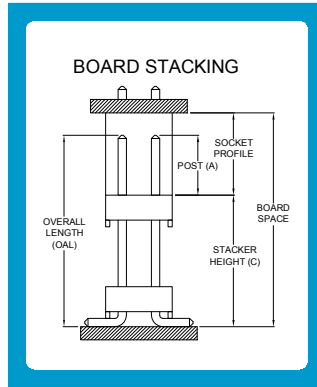
CURRENT RATING	2 AMP
INSULATOR RESISTANCE	1000 MEGOHMS MIN.
DIELECTRIC WITHSTANDING	AC 500 V
CONTACT RESISTANCE	20m OHMS MAX.
OPERATING TEMPERATURE	-40°C TO +105°C
CONTACT MATERIAL	BRASS
INSULATOR MATERIAL	THERMOPLASTIC ,UL 94V-0 STANDARD: NYLON 6T
PLATING	GOLD, TIN, OR SELECTIVE OVER 30-50U" NICKEL
SOLDERABILITY	IR REFLOW: 260°C FOR 10 SEC MANUAL SOLDER: 350°C FOR 3-5 SEC

MATES WITH :-

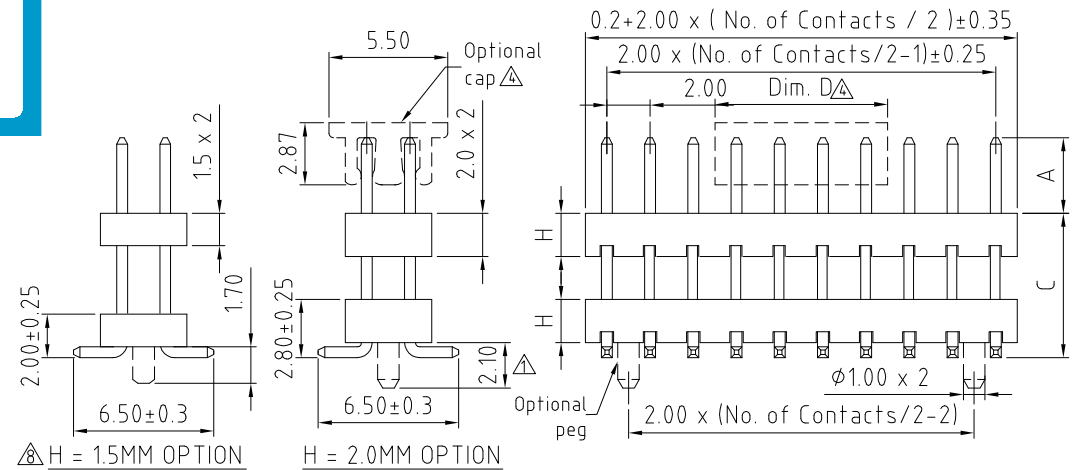
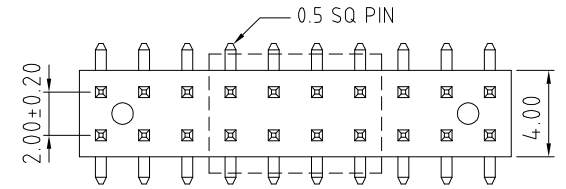
BB02-GH	BB02-GT
BB02-GK	BB02-GY
BB02-GL	BB02-GZ
BB02-GM	BB02-RG
BB02-GP	BB02-RJ
BB02-GQ	BB02-RX

NOTES:

- MAX. CONNECTOR OVERALL HEIGHT ALLOWED FOR TAPE AND REEL PACKAGING: 20MM
- MAX. OAL (OVERALL PIN LENGTH A+C) = 40mm.



Dim.D	NOTE
4mm	06~16pins
8.16mm	18~80pins



HOW TO ORDER



NO. OF CONTACTS 06 TO 80

CONTACT PLATING OPTIONS
 K = GOLD FLASH (STANDARD)
 A = 10U" GOLD ON CONTACT/GOLD FLASH ON TAIL
 B = 15U" GOLD ON CONTACT/GOLD FLASH ON TAIL
 C = 30U" GOLD ON CONTACT/GOLD FLASH ON TAIL
 T = BRIGHT TIN
 M = MATT TIN
 D = GOLD FLASH ON CONTACT/BRIGHT TIN ON TAIL
 E = 10U" GOLD ON CONTACT/BRIGHT TIN ON TAIL
 F = 15U" GOLD ON CONTACT/BRIGHT TIN ON TAIL
 G = 30U" GOLD ON CONTACT/BRIGHT TIN ON TAIL

INSULATOR "H" OPTIONS:
 0 = 2.0MM
 1 = 1.5MM

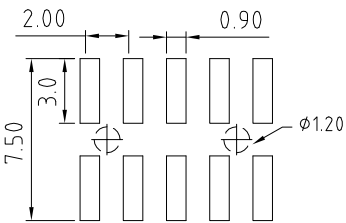
PACKAGING OPTIONS
 3 - TUBE
 5 - TUBE & CAP
 6 - T & R (see note 1)
 8 - T & R & CAP (see note 1)

PIN LENGTH A (1/10mm) SPECIFY PIN LENGTH
 STANDARD = 40 = 4.0mm
 MINIMUM = 10 = 1.0mm
 MAXIMUM = 150 = 15.0mm
 TOL.: ±0.25mm

PIN LENGTH C (1/10mm) SPECIFY PIN LENGTH
 MINIMUM = 48 (INSULATOR H = 2.0mm)
 OR 35 (INSULATOR H = 1.5mm)
 MAXIMUM = SEE NOTE 2
 TOL.: ±0.25mm

LONGER PIN LENGTH REQUIRED?
 If pin length required is longer than 9.9mm (99), then use a '/' to separate the numbers.
 Example: A=4.0mm, C=12.0mm, mark as 40 / 120 / X.

WITH OR WITHOUT LOCATING PEG
 A = WITH PEG
 B = WITHOUT PEG



(TOLERANCE: ±0.05)
 RECOMMENDED PC BOARD SMD LAYOUT

REV. DATE & DRN	10 15/02/05 - CHC RELEASE
11 27/04/05 - NYW	MAX. PIN NO 80->50.
12 08/08/06 - NYW	AMEND INSULATOR. AMEND PCB LAYOUT.
13 17/06/07 - NYW	DRAWING MODIFICATION.
14 27/06/07 - CHC	AMEND MAX. NO. 50->80.
15 02/06/08 - CHC	ADD CAP.
16 17/07/08 - NYW	PLATING MODIFICATION. ADD NOTE 1.
17 12/01/09 - NYW	DRAWING MODIFICATION.
18 03/02/09 - NYW	ADD 15 HEIGHT OPTION.
19 08/07/12 - NYW	AMEND NOTE 1.

Scale: 4:1	THIRD ANGLE	Unstated Tolerances: X ± 0.30 .X ± 0.25 .XX ± 0.15 .XXX ± 0.10	Material: SEE NOTE
Drawn: CHC		Title: PIN HEADER	NOT TO SCALE
App'd: NYW	Revision: 1.9	Unit: mm	

www.gradconn.com

THIS DRAWING IS CONFIDENTIAL AND MUST NOT BE COPIED OR DISCLOSED WITHOUT WRITTEN CONSENT

Type: BB02-FU
BB02-FU
Drawing Number:
Sheet 1 of 1
Drawing © E and O E