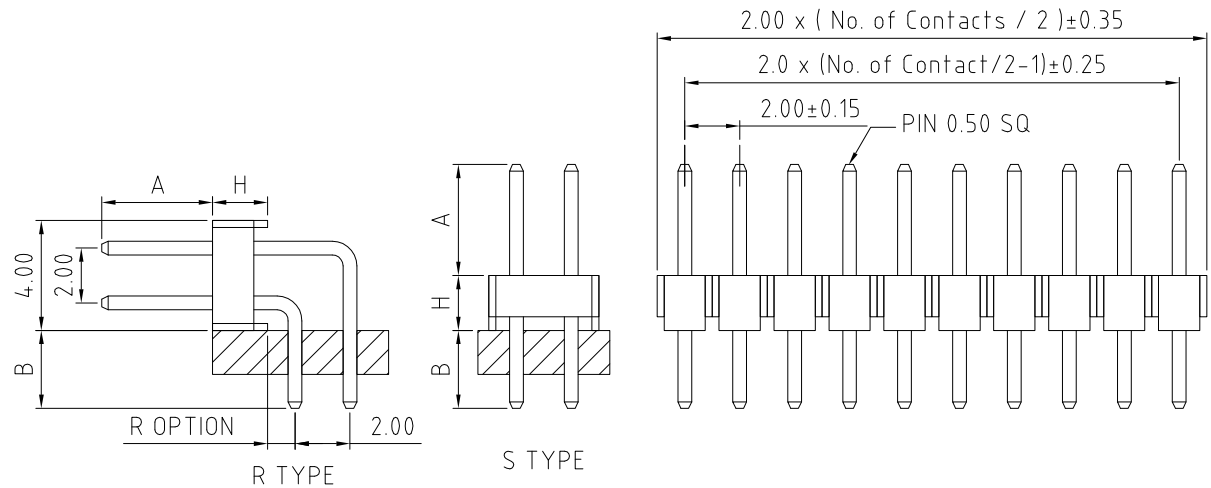


BB02-FD :- 2.00mm x 2.00mm (0.079" x 0.079") PIN HEADER, DUAL ROW, THROUGH HOLE, 4 to 80 CONTACTS, STRAIGHT & RIGHT ANGLE

SPECIFICATIONS

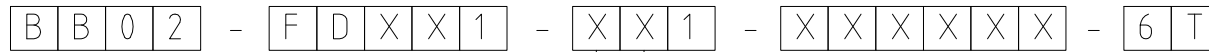
CURRENT RATING 2 AMP  
 INSULATOR RESISTANCE 1000 MEGOHMS MIN.  
 DIELECTRIC WITHSTANDING AC 500 V  
 OPERATING TEMPERATURE -40°C TO +105°C  
 CONTACT MATERIAL BRASS  
 INSULATOR MATERIAL POLYESTER,UL 94V-0  
 NYLON 6T : STANDARD  
 PBT : SPECIAL OPTION  
 PLATING GOLD, TIN OR SELECTIVE OVER 30-50U" NICKEL  
 SOLDERABILITY: NYLON 6T - IR REFLOW: 260°C FOR 10 SEC  
 WAVE: 230°C FOR 5-10 SEC  
 MANUAL SOLDER: 350°C FOR 3-5 SEC  
 PBT - MANUAL SOLDER: 330°C FOR 3-5 SEC  
 (NOT SUITABLE FOR HI-TEMP PROCESS)



PACKED LOOSE IN BAG OR BOX  $\triangle$

MATES WITH :- BB02-GH BB02-GT  
 BB02-GK BB02-GY  
 BB02-GL BB02-GZ  
 BB02-GM BB02-RG  
 BB02-GP BB02-RJ  
 BB02-GQ BB02-RX

HOW TO ORDER



NO. OF CONTACTS:  
04 TO 80

CONTACT PLATING OPTIONS:  
 K = GOLD FLASH (STANDARD)  
 A = 10U" GOLD ON CONTACT/GOLD FLASH ON TAIL  
 B = 15U" GOLD ON CONTACT/GOLD FLASH ON TAIL  
 C = 30U" GOLD ON CONTACT/GOLD FLASH ON TAIL  
 T = BRIGHT TIN  
 M = MATT TIN  
 D = GOLD FLASH ON CONTACT/BRIGHT TIN ON TAIL  
 E = 10U" GOLD ON CONTACT/BRIGHT TIN ON TAIL  
 F = 15U" GOLD ON CONTACT/BRIGHT TIN ON TAIL  
 G = 30U" GOLD ON CONTACT/BRIGHT TIN ON TAIL

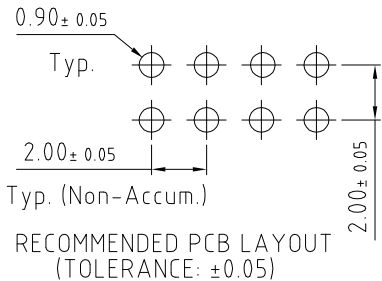
'H' DIMENSION OPTIONS:  
 A = 1.5mm  
 B = 2.0mm (STANDARD)

PIN LENGTH A (1/10mm)  
 PLEASE SPECIFY PIN LENGTH REQUIRED  
 I.E. 4.0mm = 40  
 STANDARD = 40  
 TOL.  $\pm 0.2$ mm

PIN LENGTH B (1/10mm)  
 PLEASE SPECIFY PIN LENGTH REQUIRED  
 I.E. 2.8mm = 28  
 STANDARD = 28  
 TOL.  $\pm 0.2$ mm

INSULATOR MATERIAL  
 6T = NYLON 6T (STANDARD)  
 BLANK = PBT (Not suitable for new designs.)

CONNECTOR TYPE OPTIONS:  
 S0 = STRAIGHT  
 R0 = RIGHT ANGLE 1.0mm  
 R1 = RIGHT ANGLE 1.27mm  
 $\triangle$  R2 = RIGHT ANGEL 1.75mm  
 $\triangle$  R3 = RIGHT ANGEL 1.90mm  
 (RX custom length available.)



REV.	DATE & DRN
10	06/05/02 - S/D RELEASE
11	06/05/02 - S/D RELEASE
12	08/08/06 - NYW
13	07/02/07 - CHC
14	07/06/08 - CHC
15	30/02/08 - CHC
16	07/06/11 - NYW
17	03/05/16 - NYW

Scale:	5:1	THIRD ANGLE	Unstated Tolerances: X $\pm 0.30$ .X $\pm 0.25$ .XX $\pm 0.15$ .XXX $\pm 0.10$	Material	SEE NOTE
Drawn:	CHC				
App'd:	XXXX	Title	PIN HEADER		NOT TO SCALE
Date:	3 MAY '16	Revision:	1.7	UNIT:	mm

www.gradconn.com

THIS DRAWING IS CONFIDENTIAL AND MUST NOT BE COPIED OR DISCLOSED WITHOUT WRITTEN CONSENT

Type:	BB02-FD
	BB02-FD
Drawing Number:	
Sheet 1	of 1
Drawing	E and O E