

BB02-CT - 1.27mm (0.05") SOCKET, SINGLE ROW, THROUGH HOLE, 02 TO 40 CONTACTS , STRAIGHT OR RIGHT ANGLE

SPECIFICATIONS

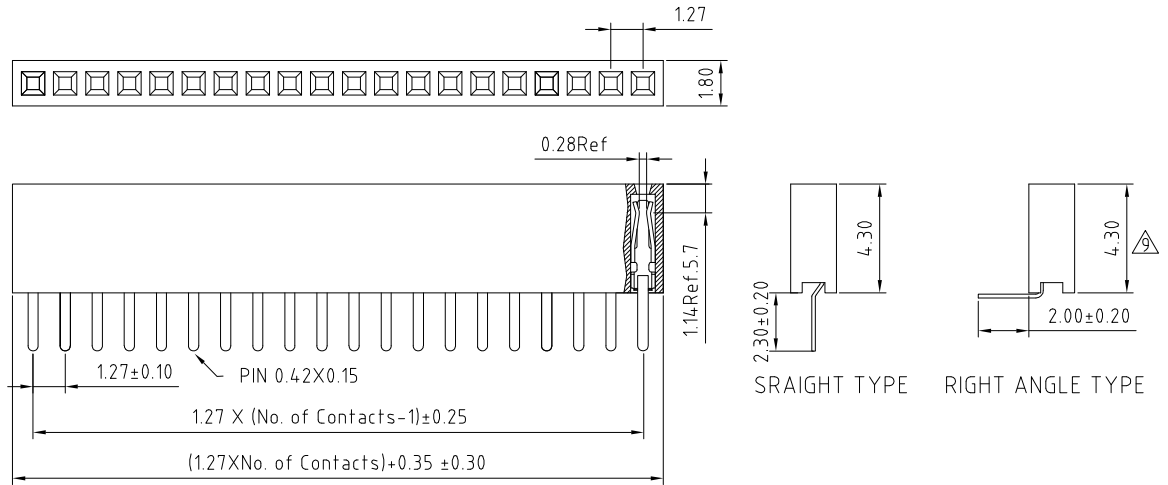
CURRENT RATING 1 AMP
 INSULATOR RESISTANCE 1000 MEGOHMS MIN
 CONTACT RESISTANCE 20m OHM MAX
 DIELECTRIC WITHSTANDING AC 300V
 OPERATING TEMPERATURE -40° TO +105°C
 CONTACT MATERIAL PHOSPHOR BRONZE
 INSULATOR MATERIAL THERMOPLASTIC,UL 94V-0
 STANDARD: LCP
 PLATING GOLD, TIN OR SELECTIVE OVER 30~50U" NICKEL
 SOLDERABILITY IR REFLOW: 280°C FOR 10 SEC
 WAVE: 250°C FOR 5-10 SEC
 MANUAL SOLDER: 380°C FOR 3-5 SEC

PACKED IN TUBE OR TRAY \triangle

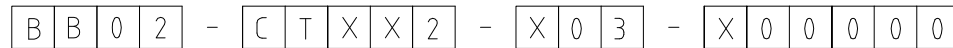
NOTES:

1. RECOMMENDED MATING PIN LENGTH : 2.0MM-4.0MM. \triangle \triangle

MATES WITH: - (0.40MM SQUARE PINS)
 \triangle BB02-NA BB02-NS
 BB02-NB BB02-5B
 BB02-NC



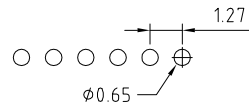
HOW TO ORDER



NO OF CONTACTS:
02 TO 40

CONTACT PLATING OPTIONS:
 K = GOLD FLASH (STANDARD)
 A = 10U" GOLD ON CONTACT/GOLD FLASH ON TAIL
 B = 15U" GOLD ON CONTACT/GOLD FLASH ON TAIL
 C = 30U" GOLD ON CONTACT/GOLD FLASH ON TAIL
 T = BRIGHT TIN
 M = MATT TIN
 D = GOLD FLASH ON CONTACT/BRIGHT TIN ON TAIL

CONNECTOR TYPE:
 S = STRAIGHT
 R = RIGHT ANGLE



RECOMMENDED PC BOARD LAYOUT
(TOLERANCE: ±0.05)

REV.	DATE	DRN
10	15/07/05	-NYW RELEASE
11	20/07/06	-NYW DRAWING MODIFICATION
12	09/08/07	-NYW AMEND PACK METHOD
13	09/08/07	-CHC ADD NOTES 1
14	05/05/08	-CHC DRAWING MODIFICATION
15	26/02/08	-CHC AMEND MATES WITH
16	30/07/09	-NYW AMEND MATING PIN LENGTH
17	22/12/09	-NYW CHANGE INSULATOR TO LCP
18	05/10/12	-NYW REMOVE PLATING OPTIONS E-G
19	29/10/16	-NYW AMEND MATING PIN HEIGHT
20	21/02/18	-NYW DRAWING MODIFICATION

Scale	5:1
Drawn	CHC
App'd	XXX
Date:	21 APR '16

THIRD ANGLE	
Title	SOCKET
Revision:	2.0

Unstated Tolerances	
X ± 0.30	
.X ± 0.25	
XX ± 0.15	
XXX ± 0.10	
Material	SEE NOTE
NOT TO SCALE	
Unit:	mm

Material	SEE NOTE
NOT TO SCALE	
Unit:	mm

www.gradconn.com

THIS DRAWING IS CONFIDENTIAL AND MUST NOT BE COPIED OR DISCLOSED WITHOUT WRITTEN CONSENT

Type	BB02-CT
Drawing Number	BB02-CT
Sheet	1 of 1
Drawing	\odot E and O E