

CABLE 286 RF: MCX R/A PLUG + BNC STRAIGHT BULKHEAD JACK WITH O-RING RATED TO IP67/68 + MULTIPLE CABLE SIZES

SPECIFICATIONS:

1. MCX RIGHT ANGLE PLUG, P/N:
FOR RG316 CABLE: RFCT-MCX002-M74.
FOR $\phi 1.32\text{MM}$ CABLE: RFCT-MCX010-M32.
2. COAXIAL CABLE, SEE P/N OPTION FOR DETAIL.
3. BNC STRAIGHT BULKHEAD JACK WITH O-RING RATED TO IP67/68, P/N:
FOR RG316 CABLE: RFCT-BNC001-F74.
FOR $\phi 1.32\text{MM}$ CABLE: RFCT-BNC006-F78.

ENVIRONMENTAL:

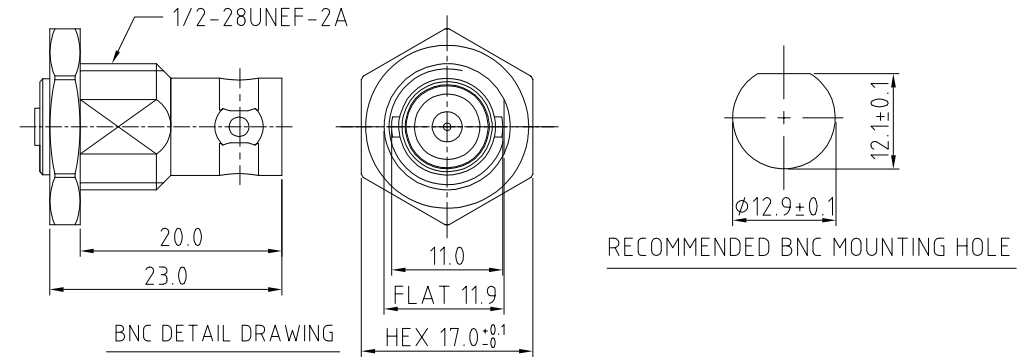
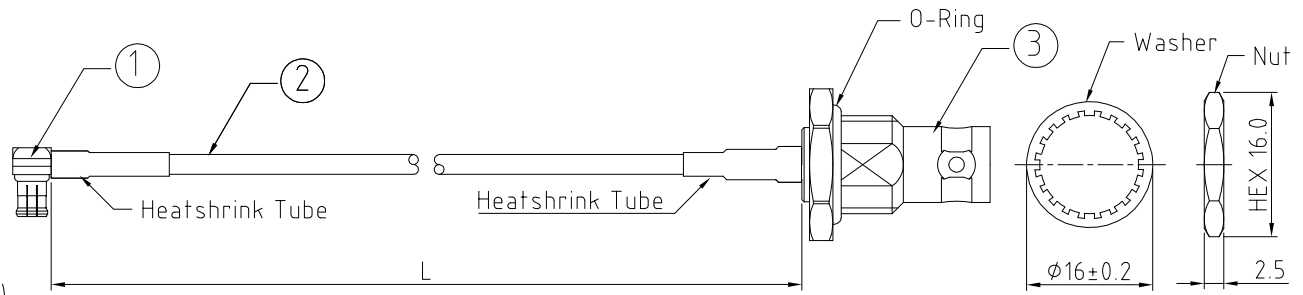
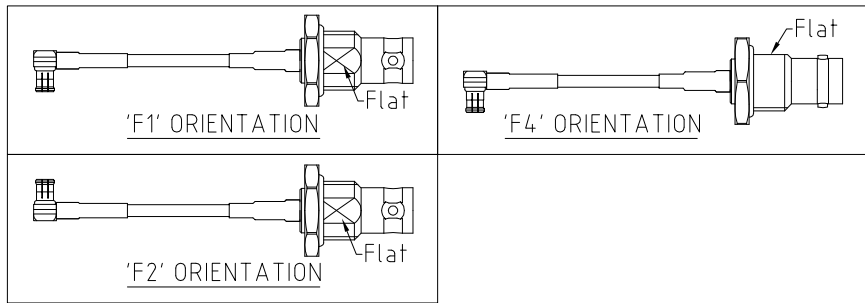
A. BULKHEAD MOUNTED CONNECTOR (RFCT-BNC001-F74/ RFCT-BNC006-F78)

TESTED TO THE FOLLOWING SPECIFICATION:

- i. IP6X - DUST TIGHT - NO PARTICLE INGRESS.
- ii. IPX7 WATERPROOF FOR 30 MINUTES UP TO 1 METER UNDERWATER.
- iii. IPX8 WATERPROOF FOR 48 HOURS AT 1 METER UNDERWATER.
- iv. IPX8 WATERPROOF FOR 12 HOURS AT 5 METERS UNDERWATER.
- v. PRESSURE TEST - 1 BAR FOR 10 SECONDS.

NOTES:

1. THE ORIENTATION OF CONNECTORS ON DRAWING IS FOR REFERENCE ONLY, IF THE ORDER IS LEFT BLANK THE CONNECTOR WILL NOT HAVE FIXED ORIENTATION.
2. FIXED ORIENTATION IS SUGGESTED FOR CABLE LENGTH 50MM TO 100MM.
3. CONTACT GRAD CONN IF THE ORIENTATION YOU REQUIRE IS NOT SHOWN.
4. WORKING FREQUENCY RANGE: DC-3GHz.
5. OPERATING TEMPERATURE: -40°C TO $+80^{\circ}\text{C}$.
6. IMPEDANCE: 50 OHM.



HOW TO ORDER

CABLE 286 RF - X X X X - X X - X - X

"L" LENGTH IN MM
eg: 100MM = 0100
(MIN. = 0050, MAX. = 2000,
STANDARD = 0100, 0150, 0200)
Tolerance: 50-200mm: $\pm 5\text{mm}$.
201-500mm: $\pm 7\text{mm}$.
>500mm: $\pm 10\text{mm}$.

CABLE SIZE OPTIONS:
1 = RG316 CABLE, COLOR: BROWN
2 = $\phi 1.32\text{MM}$ CABLE, COLOR: GRAY

O-RING, WASHER AND NUT OPTIONS:
BLANK = SEPARATELY PACKED (STANDARD)
A = ASSEMBLED WITH CONNECTOR

ORIENTATION OPTIONS:
BLANK = DOES NOT HAVE A FIXED ORIENTATION
F1 = MCX CONNECTION DOWN (L=50-200MM)
F2 = MCX CONNECTION UP (L=50-200MM)
F4 = MCX CONNECTION & BNC D FLAT OPPOSITE DIRECTION (50-200MM)
(SEE NOTES 1, 2, 3 AND DIAGRAMS FOR MORE INFORMATION)

REV. DATE & DRN
11 17/05/20 - NYW
ADD CABLE OPTION 2

Scale: NTS	THIRD ANGLE	Unstated X N/A .XX N/A XXX N/A ANGLES N/A	Tolerances: N/A N/A N/A N/A
Drawn: NYW			
App'd: XXX	Title CABLE ASSEMBLY		
Date: 11 MAY '20	Revision: 1.1	Unit: mm	



IP67/68 Rated Cables
www.gradconn.com

Type: Cable 286 RF
CABLE 286 RF
Drawing Number:
Sheet 1 of 1
Drawing © E and O E

THIS DRAWING IS CONFIDENTIAL AND MUST NOT BE COPIED OR DISCLOSED WITHOUT WRITTEN CONSENT