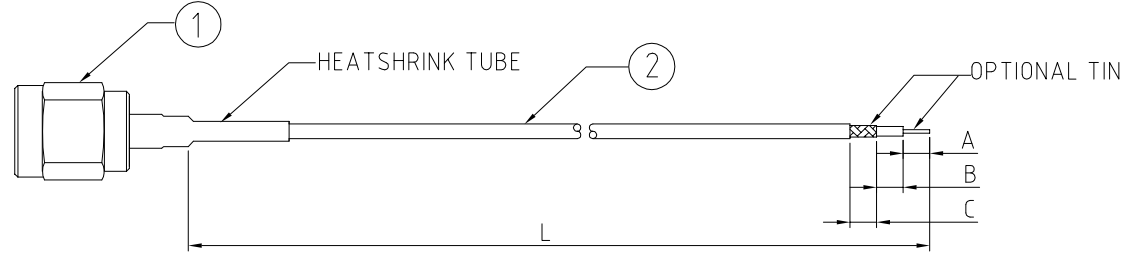


CABLE 095 RF: RF CABLE ASSEMBLY, SMA STRAIGHT PLUG + MUTIPLE CABLE SIZES + STRIP / TIN

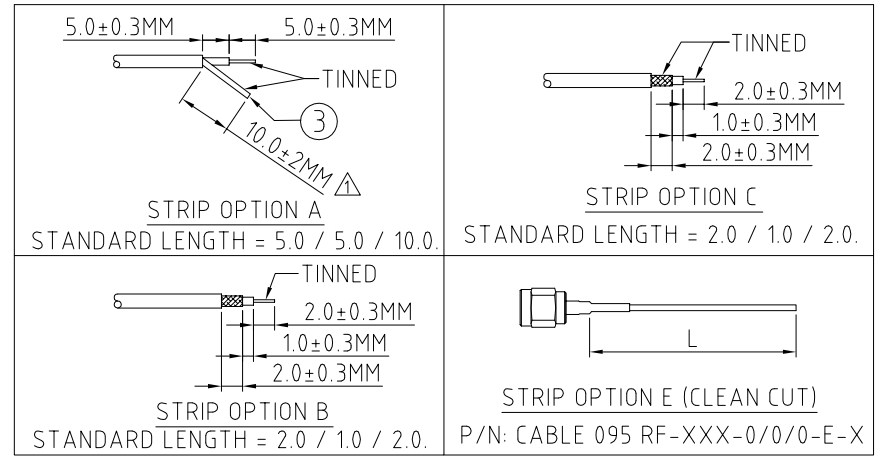
SPECIFICATIONS :

- SMA STRAIGHT PLUG, PN:
FOR $\phi 1.37\text{MM}$ CABLE: RFCT-SMA026-M37.
FOR RG174 CABLE: RFCT-SMA027-M74.
- COAXIAL CABLE, SEE P/N FOR DETAIL.
- TWISTED BRAID OR FLEXIBLE COPPER WIRE, LENGTH =
A (CENTRE CONDUCTOR) + B (INSULATOR). MINIMUM = 6.0MM.
LENGTH 6.0MM - 9.9MM: TWISTED BRAID.
LENGTH +10MM: FLEXIBLE COPPER WIRE.



NOTES:

- STRIP DIMENSION A / B / C STANDS FOR A = CENTRE CONDUCTOR, B = INSULATOR, C = BRAID.
- INSERTION LOSS TEST REPORT IS NOT AVAILABLE.
- THIS IS OUR STANDARD OFFERING, SPECIAL DESIGNS ARE AVAILABLE, INCLUDING CUSTOM TOLERANCES AND SPECIAL BRAID TINNING DESIGNS. PLEASE CONTACT GRADCONN FOR MORE INFORMATION.
- CENTRE CONDUCTOR AND TWISTED BRAID OF COAX CABLE IS TINNED. WHEN BRAID LENGTH EXCEEDS 10MM LENGTH OF TINNED COPPER WIRE IS SOLDERED TO THE BRAID/SHIELD OF THE COAX CABLE WHICH ALLOWS SOLDERING TO PCB.



HOW TO ORDER

CABLE 095 RF - X X X - X X / X X / X X - X - X

"L" LENGTH IN MM

eg: 100MM = 100
(MIN. 025 - MAX. 400)

Tolerance: <50mm : ±2mm.

51-200mm: ±5mm.
201-400mm: ±7mm.

A/B/C STRIP DIM. IN MM
FOR STANDARD LENGTH
PLEASE REFER TO DRAWINGS.
(SPECIALS AVAILABLE UPON
REQUEST.)

CABLE OPTIONS:

- 1 = 1.37MM MIT COAXIAL CABLE, BLACK
- 2 = RG174 COAXIAL CABLE, BLACK

STRIP AND TIN OPTIONS:

- A = CENTER CONDUCTOR & TWISTED BRAID/SOLDERED COPPER WIRE TINNED (SEE NOTE 4 FOR SOLDER TO PCB APPLICATION)
- B = STRIPPED, END A TINNED
- C = STRIPPED, END A & C TINNED
- E = CLEAN CUT

REV. DATE & DRN
10 15/02/10 - NYW RELEASE
11 17/07/11 - NYW
12 15/08/13 - NYW
13 20/05/15 - NYW
14 07/10/16 - RJH
15 20/08/19 - NYW
16 26/10/20 - NYW
UPDATE SMA P/N'S

Scale: NTS
Drawn: RJH
App'd: XXX
Date: 26 NOV. '20

THIRD ANGLE
Title CABLE ASSEMBLY
Revision: 1.6

Unstated X, XX, XXX ANGLES
Tolerances: N/A, N/A, N/A, N/A

Material: SEE NOTE
NOT TO SCALE
Unit: mm

THIS DRAWING IS CONFIDENTIAL AND MUST NOT BE COPIED OR DISCLOSED WITHOUT WRITTEN CONSENT

Type: Cable 095 RF
CABLE 095 RF
Drawing Number:
Sheet 1 of 1
Drawing © E and OE