

CH03-BF - SIM CARD HOLDER 6 OR 8 PINS WITHOUT SWITCH

FEATURES

1. GENERAL CHARACTERISTICS
 DIMENSIONS: 29.60L x 17.20W x 3.00H mm
 WEIGHT: APPROX. 1.34g
 CONTACT PRINCIPLE: FRICTION TECHNOLOGY
 OPERATING POSITION: SHAFT UP / DOWN / HORIZONTAL
 MOUNTING SYSTEM: SMT TYPE
 DURABILITY: 10,000 CYCLES MIN.

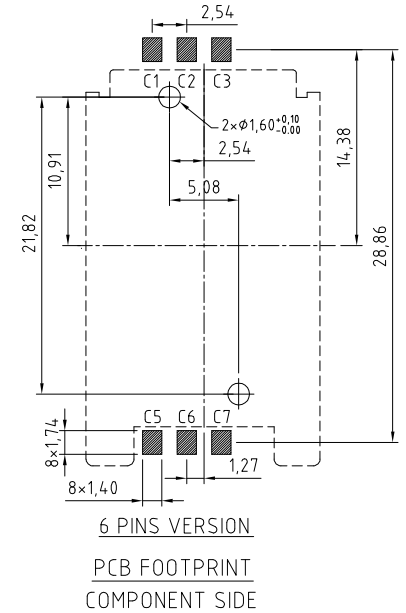
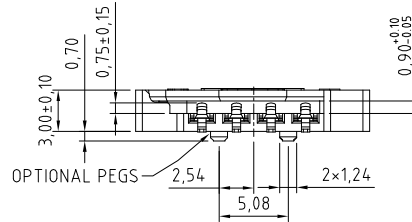
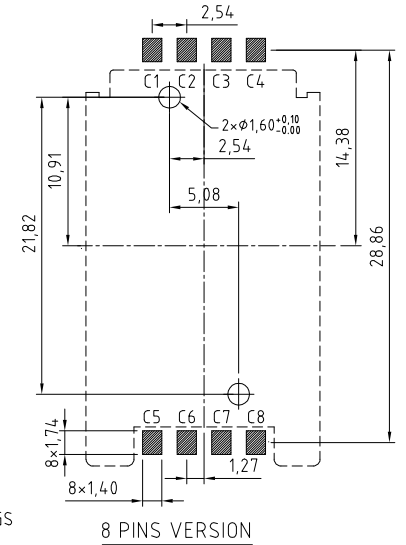
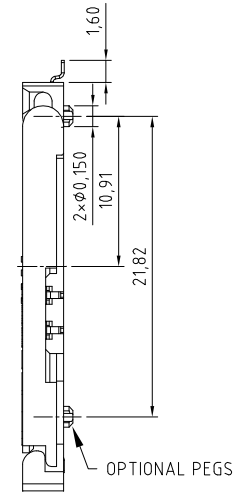
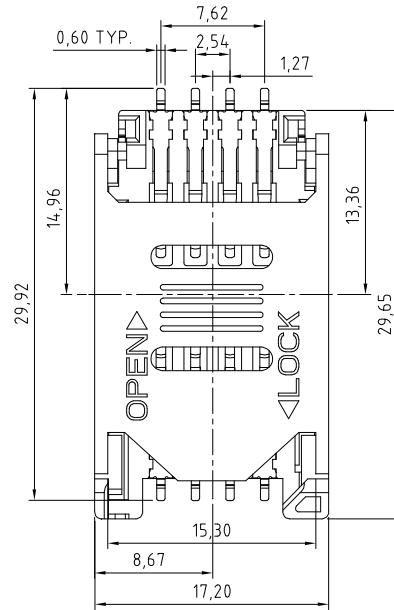
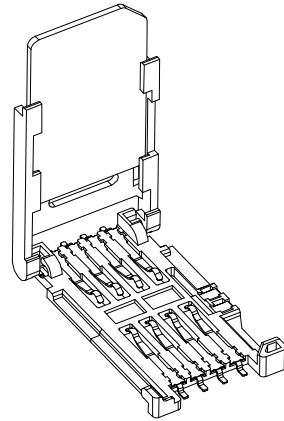
2. MECHANICAL CHARACTERISTICS
 INSULATION MATERIAL: THERMOPLASTIC, UL 94V-0
 CONTACT PLATING: GOLD FLASH ON CONTACT AREA, TIN ON TAIL

3. ELECTRICAL CHARACTERISTICS
 NUMBER OF CONTACTS (OPTIONAL): 6, 8 PINS
 CONTACT RESISTANCE: 50M OHMS TYP. 100M OHMS MAX.
 INSULATION RESISTANCE: > 1000M OHMS / 500V DC

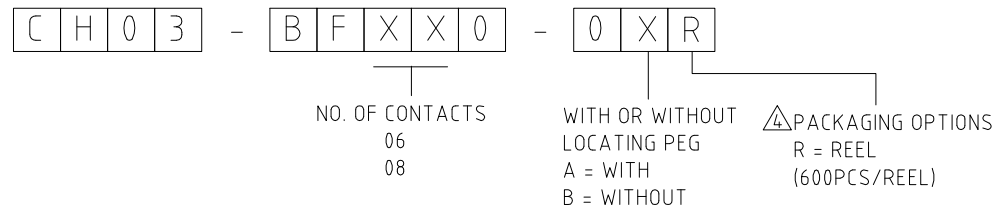
4. SOLDERABILITY
 WAVE: NOT APPLICABLE
 IR REFLOW: 260°C, 10 SEC. MAX. 
 MANUAL SOLDERING: 360°C, 3 SEC. MAX.

5. ENVIRONMENTAL CHARACTERISTICS
 OPERATING TEMPERATURE: -40°C ~ +85°C
 OPERATING HUMIDITY: 10% ~ 95% RH
 STORAGE TEMPERATURE: -40°C ~ +85°C
 STORAGE HUMIDITY: 10% ~ 95% RH
 THERMAL SHOCK -40°C ~ +85°C, 5 CYCLES
 DAMP HEAT: 40°C, 90% RH, 500 HR
 SALT MIST: 35°C, 5%, NaCl, 48 HR

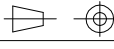
NOTES:
 1. ACCEPTABLE SIM CARD SIZE SHOULD MEET GSM 11.11 SPECIFICATION REQUIREMENT. 




HOW TO ORDER



REV.	DATE & DRN	DESCRIPTION
10	14/09/04	- NYW - RELEASE
11	23/10/06	- CHE
12	23/10/06	- ANGND MAX TEMP
13	23/05/07	- NYW
14	23/05/07	- NYW
15	27/06/07	- NYW
16	27/06/07	- NYW
17	28/09/07	- NYW
18	21/11/07	- NYW
19	21/11/07	- NYW
20	21/11/07	- NYW
21	21/11/07	- NYW
22	21/11/07	- NYW
23	21/11/07	- NYW
24	21/11/07	- NYW
25	21/11/07	- NYW
26	21/11/07	- NYW
27	21/11/07	- NYW
28	21/11/07	- NYW
29	21/11/07	- NYW
30	21/11/07	- NYW

Scale: 2.5:1	THIRD ANGLE	Unstated Tolerances: 0 Dec Places 1 Dec Places 2 Dec Places 3 Dec Places	Material SEE NOTE
Drawn: NYW			
App'd: XXXX	Title: SIM CARD ACCEPTOR		NOT TO SCALE
Date: 22 DEC '11	Revision: 1.8		Unit: mm

		Type: CH03-BF
www.gradconn.com		CH03-BF
THIS DRAWING IS CONFIDENTIAL AND MUST NOT BE COPIED OR DISCLOSED WITHOUT WRITTEN CONSENT		Drawing Number:
Sheet 1 of 2		
Drawing ©		E and O E

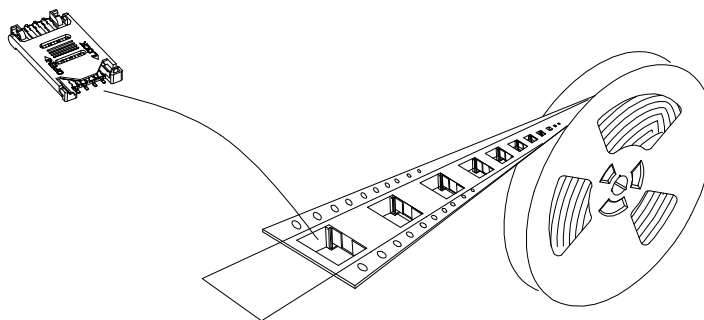
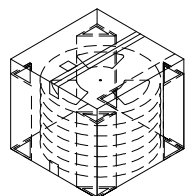
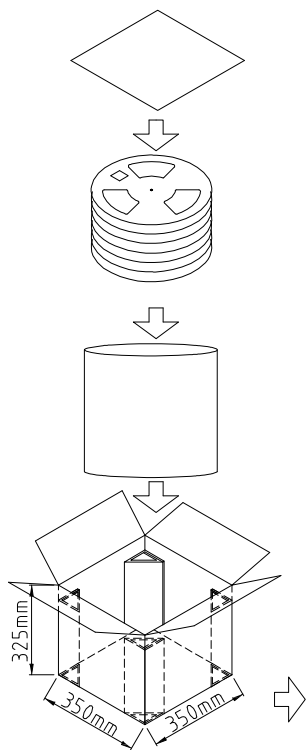
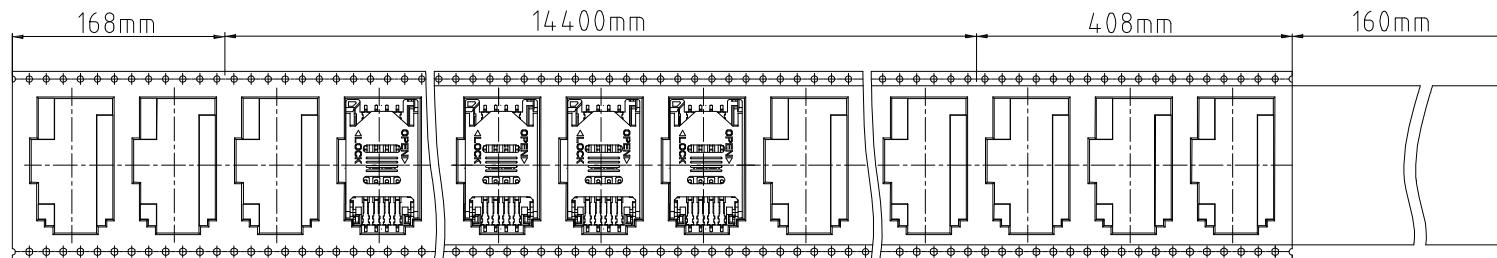
CH03-BF - SIM CARD HOLDER 6 OR 8 PINS WITHOUT SWITCH - PACKAGING DRAWING

REELING DIRECTION

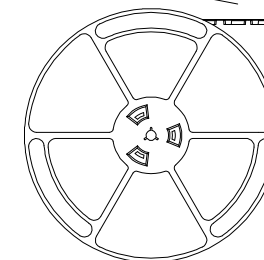
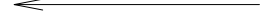


REEL CENTER WITH 7 EMPTY CARRIER

WITH 17 EMPTY CARRIER AT FRONT END



REELING DIRECTION



NOTES:

1. REEL DIA.: 33CM.
2. 600PCS PER REEL, GROSS WEIGHT: 1.39KG.
3. 6 REELS PER FULL CARTON, GROSS WEIGHT: 9.54KG.

REV. DATE & DRN 10 28/06/09 - AE PACKAGING DRAWING ADDED 11 22/12/11 - NYW CONNECTOR AMENDMENT.	Scale: NTS	THIRD ANGLE	Unstated Tolerances:	Material SEE NOTE	 www.gradconn.com	Type: CH03-BK
	Drawn: AE					CH03-BF
	App'd: XXXX	Title SIM CARD ACCEPTOR		NOT TO SCALE		Drawing Number:
	Date: 22 DEC '11	Revision: 1.1		Unit: mm		Sheet 2 of 2
						Drawing © E and O E

THIS DRAWING IS CONFIDENTIAL AND MUST NOT BE COPIED OR DISCLOSED WITHOUT WRITTEN CONSENT