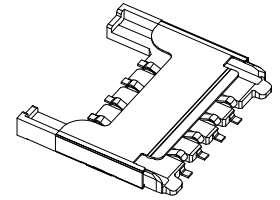
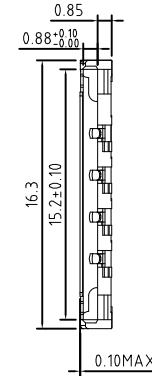
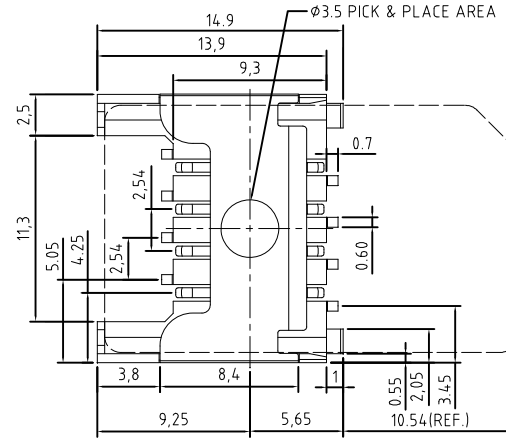


CH03-AD: SIM CARD CONNECTOR SMT, SLIDE IN TYPE, 6 OR 8 CONTACTS, WITH FIXED COVER

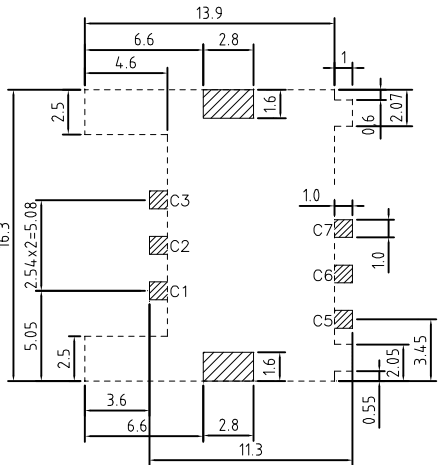
FEATURES

- GENERAL CHARACTERISTICS**
 CONTACT PRINCIPLE: FRICTION TECHNOLOGY
 MOUNTING SYSTEM: SMT TYPE
 DURABILITY: 5,000 CYCLES MIN.
- MECHANICAL CHARACTERISTICS**
 INSULATION MATERIAL: THERMOPLASTIC, UL 94V-0
 CONTACT MATERIAL: PHOSPHOR BRONZE
- ELECTRICAL CHARACTERISTICS**
 NUMBER OF CONTACTS (OPTIONAL): 6 OR 8 PINS
 CONTACT RESISTANCE: 50M OHMS TYPICAL, 100M OHMS MAX.
 INSULATION RESISTANCE: > 1000M OHMS MIN. / 500V DC
- SOLDERABILITY**
 WAVE: NOT APPLICABLE
 IR REFLOW: 260°C FOR 10 SEC.
 MANUAL SOLDERING: 360°C FOR 3 SEC. MAX.
- ENVIRONMENTAL CHARACTERISTICS**
 OPERATING TEMP.: -40°C TO +85°C
 OPERATING HUMIDITY: 10% TO 95% RH
 STORAGE TEMP.: -40°C TO +85°C
 STORAGE HUMIDITY: 10% TO 95% RH

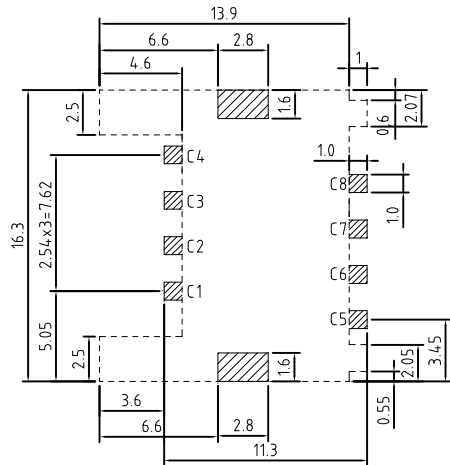


NOTES:

- ACCEPTABLE SIM CARD SIZE SHOULD MEET GSM 11.11 SPECIFICATION REQUIREMENT.

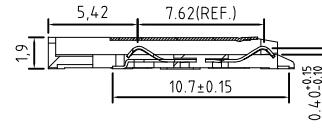


6 PINS VERSION



8 PINS VERSION

RECOMMENDED PCB LAYOUT



HOW TO ORDER



NO. OF CONTACTS
06, 08

WITHOUT SWITCH

WITHOUT LOCATING PEG

△ PACKAGING OPTIONS
R = REEL
(1,000PCS/REEL)

REV.	DATE & DRN
10	29/06/07 - NYW RELEASE
11	28/09/07 - NYW REMOVE PACK OPTION TUBE
12	21/11/07 - NYW ADD SEPARATE PCB LAYOUT
13	28/04/09 - PN PACKAGING DRAWING ADDED

Scale:	3=1
Drawn:	NYW
App'd:	XXX
Date:	28 APR '09

THIRD ANGLE	
Revision:	1.3

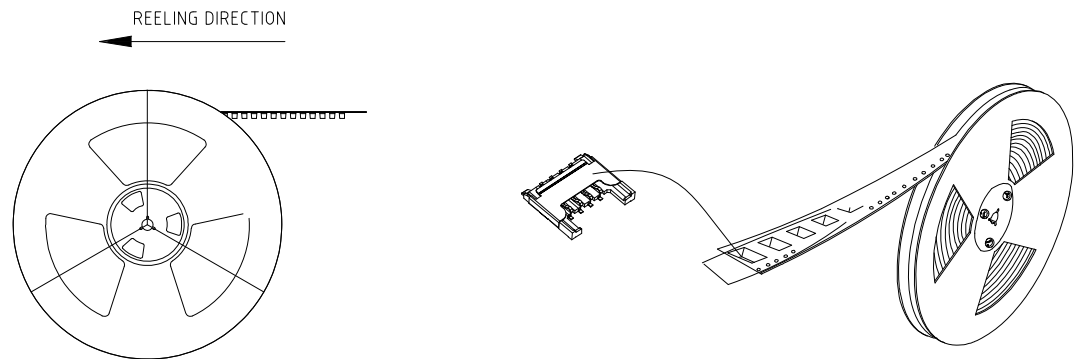
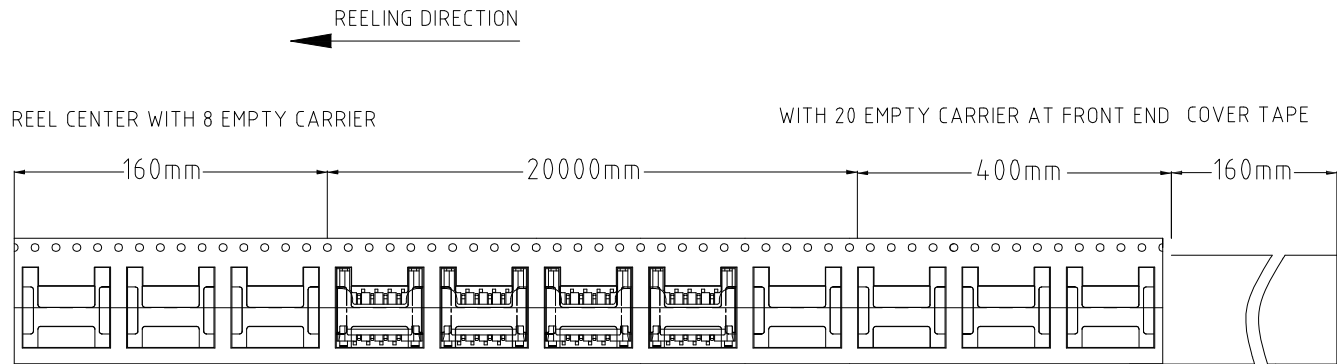
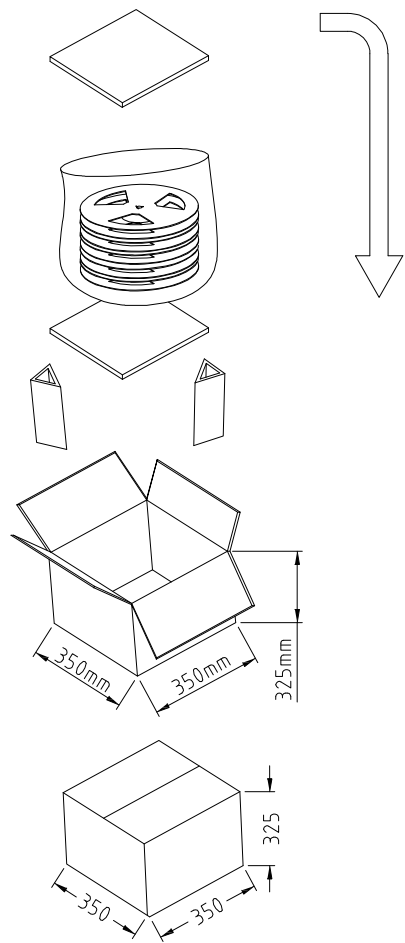
Unstated Tolerances:	0 Dec Places 1 Dec Places 2 Dec Places 3 Dec Places
Title	SIM CARD ACCEPTOR

Material	SEE NOTE
NOT TO SCALE	
Unit:	mm

Type:	CH03-AD
Drawing Number:	CH03-AD
Sheet	1 of 2
Drawing	Circle E and O E

THIS DRAWING IS CONFIDENTIAL AND MUST NOT BE COPIED OR DISCLOSED WITHOUT WRITTEN CONSENT

CH03-AD: SIM CARD CONNECTOR SMT, SLIDE IN TYPE, 6 OR 8 CONTACTS, WITH FIXED COVER - PACKAGING DRAWING



- NOTES:
1. REEL DIA.: 33CM.
 2. 1,000PCS PER REEL, GROSS WEIGHT: 0.95KG.
 3. 10 REELS PER FULL CARTON, GROSS WEIGHT: 10.70KG.

REV. DATE & DRN TO 28/04/09 - PN PACKAGING DRAWING ADDED	Scale: NTS	THIRD ANGLE	Unstated Tolerances: 0 Dec Places 1 Dec Places 2 Dec Places 3 Dec Places	Material SEE NOTE	
	Drawn: PN			Title SIM CARD ACCEPTOR	NOT TO SCALE
	App'd: XXX	Date: 28 APR '09	Revision: 1.0	Unit: mm	
					 www.gradconn.com

Type: CH03-AD
CH03-AD
Drawing Number:
Sheet 2 of 2
Drawing C E and O E

© THIS DRAWING IS CONFIDENTIAL AND MUST NOT BE COPIED OR DISCLOSED WITHOUT WRITTEN CONSENT	
--	--