

CABLE 103 RF: RF CABLE ASSEMBLY, MMCX R/A PLUG + MMCX R/A PLUG + MULTIPLE CABLE SIZES

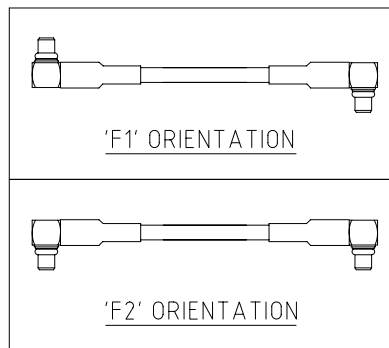
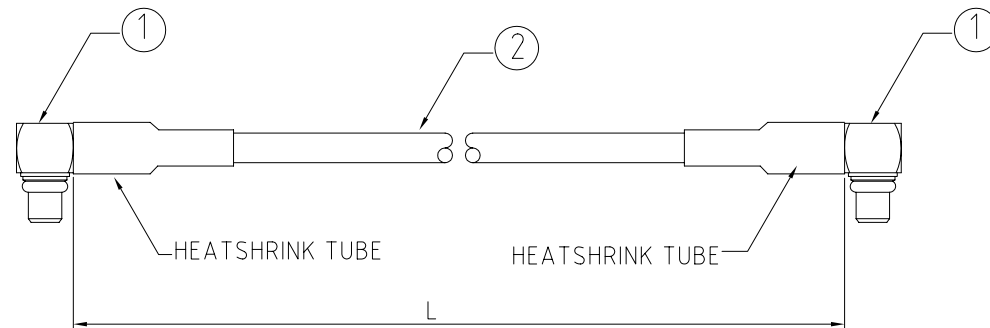
SPECIFICATIONS :

1. MMCX RIGHT ANGLE PLUG P/N:  
 FOR Ø1.13MM CABLE: C05BA3F113001  
 FOR Ø1.32MM CABLE: C05BA3F132001  
 FOR Ø1.37MM & RG178 CABLE: C05BA3F178001  
 FOR RG174 CABLE: C05BA3F174001

2. MIT COAXIAL CABLE (SEE CABLE OPTIONS FOR DETAIL)

NOTES:

1. THE ORIENTATION OF CONNECTORS ON DRAWING IS FOR REFERENCE ONLY, IF THE ORDER IS LEFT BLANK THE CONNECTOR WILL NOT HAVE FIXED ORIENTATION.
2. FIXED ORIENTATION IS POSSIBLE FOR CABLE LENGTH 25MM TO 220MM. PLEASE SPECIFY THE FIXED ORIENTATIONS FROM THE ORDER CODE (F1, F2, ETC)
3. CONTACT GRAD CONN IF THE ORIENTATION YOU REQUIRE IS NOT SHOWN.
4. WORKING FREQUENCY RANGE: DC 0-3GHz.



HOW TO ORDER

CABLE 103 RF - X X X X - X - X X

"L" LENGTH IN MM  
 eg: 100MM = 0100  
 (MIN. = 0050, MAX. = 2000)  
 STANDARD = 0100, 0150, 0200  
 Tolerance: <50mm: ±2mm.  
 51-200mm: ±5mm.  
 201-500mm: ±7mm.  
 >501mm: ±10mm.

CABLE SIZE OPTIONS:  
 1 = Ø1.13MM CABLE, COLOR: GRAY  
 2 = Ø1.32MM CABLE, COLOR: GRAY  
 3 = Ø1.37MM CABLE, COLOR: BLACK  
 4 = RG178 CABLE, COLOR: BROWN  
 5 = RG174 CABLE, COLOR: BLACK

BLANK = DOES NOT HAVE A FIXED ORIENTATION  
 F1 = OPPOSITE ORIENTATION (L=25-220MM)  
 F2 = SAME ORIENTATION (L=25-220MM)  
 (SEE NOTES 1, 2, 3 AND DIAGRAMS FOR MORE INFORMATION)

REV. DATE & DRN  
 10 31/05/10 - NYW RELEASE  
 11 02/06/10 - NYW RELEASE  
 ADD NOTES 4.

Scale: NTS	THIRD ANGLE	Unstated .X .XX .XXX ANGLES	Tolerances: ±0.2 ±0.1 ±0.05 ±5	Material SEE NOTE
Drawn: NYW		Title: CABLE ASSEMBLY		NOT TO SCALE
App'd: XXX	Date: 2 JUN '10	Revision: 1.1	Unit: mm	

© THIS DRAWING IS CONFIDENTIAL AND MUST NOT BE COPIED OR DISCLOSED WITHOUT WRITTEN CONSENT

Type: Cable 103 RF
CABLE 103 RF
Drawing Number:
Sheet 1 of 1
Drawing © E and O E