



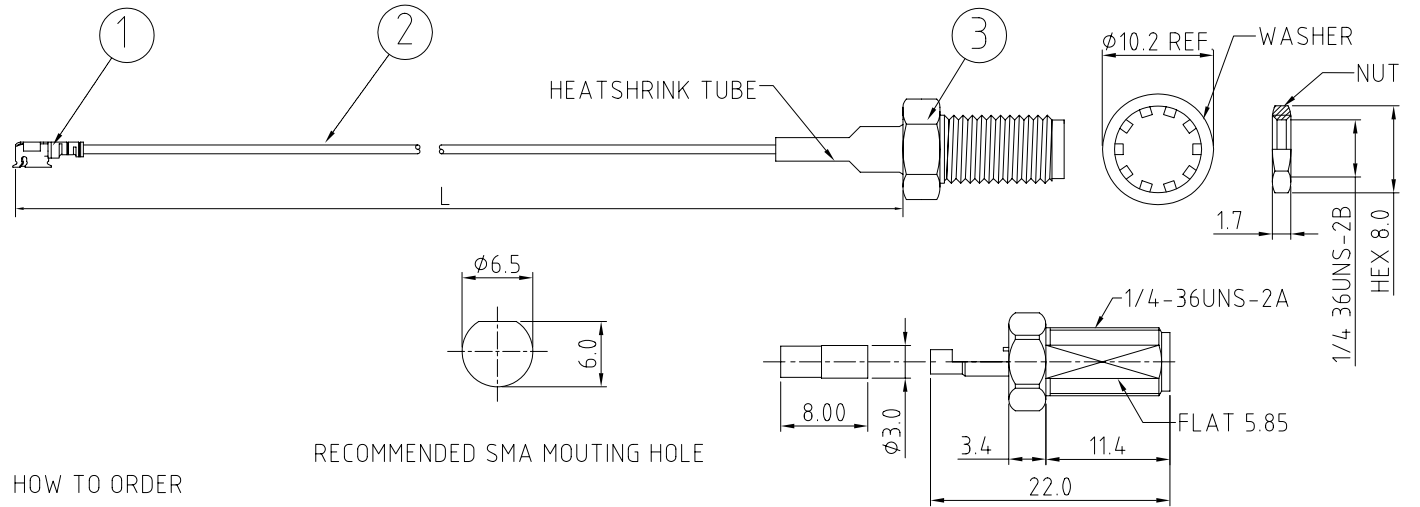
CABLE 102 RF: RF CABLE ASSEMBLY, SUNRIDGE MCF + SMA JACK BULKHEAD + 0.81MM CABLE

SPECIFICATIONS

1. SUNRIDGE MCF PLUG
2. 0.81MM COAXIAL CABLE, COLOR: GRAY
3. SMA ST BULKHEAD (C02ABWS178003B), GOLD OR SMA ST BULKHEAD WITH O-RING (C02AD31081005), GOLD

- NOTES:
1. ORIENTATION OF CONNECTORS ON DRAWING IS FOR REFERENCE ONLY, IF THE ORDER CODE IS LEFT BLANK THE CONNECTOR WILL NOT HAVE FIXED ORIENTATION.
  2. FIXED ORIENTATION IS POSSIBLE FOR CABLE LENGTH 25MM TO 220MM. PLEASE SPECIFY THE FIXED ORIENTATIONS FROM THE ORDER CODE (F1, F2, ETC)
  3. CONTACT GRAD CONN IF THE ORIENTATION YOU REQUIRE IS NOT SHOWN.
  4. WORKING FREQUENCY RANGE: DC-3GHz

**USAGE PRECAUTIONS: CABLES USING 'MICRO' COAX ARE DELICATE:**  
 (i) HANDLE WITH CARE.  
 (ii) DO NOT TWIST; APPLY EXCESSIVE FORCES OR SHARP BENDS TO THE CABLE. DO NOT FORCEFULLY DEFORM WIRES.  
 (iii) CONSULT CONNECTOR MANUFACTURER'S DATASHEETS FOR DETAILED NOTES ON HANDLING INSTRUCTIONS.



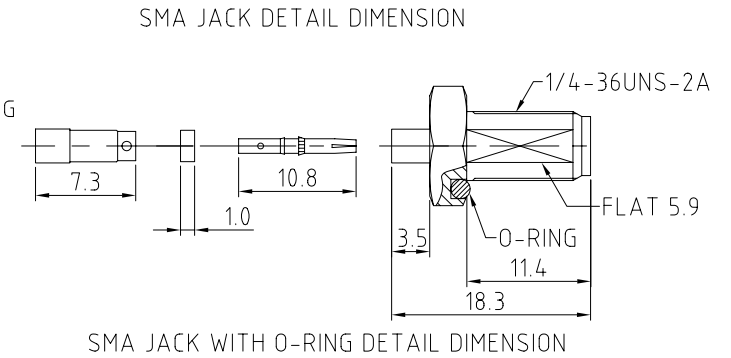
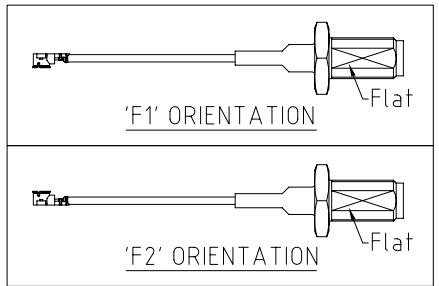
**HOW TO ORDER**  
 CABLE 102 RF - X X X - XX - X - X

"L" LENGTH IN MM  
 eg: 100MM = 100  
 (MIN. 025-MAX.400)  
 STANDARD = 100, 150, 200)  
 Tolerance: <50mm : ±2mm.  
 51-200mm: ±5mm.  
 201-400mm: ±7mm.

SMA CONECTOR OPTIONS:  
 BLANK = SMA JACK BULKHEAD  
 1 = SMA JACK BULKHEAD WITH O-RING

WASHER AND NUT OPTIONS:  
 BLANK = SEPERATELY PACKED (STANDARD)  
 A = ASSEMBLED WITH CONNECTOR

BLANK = DOES NOT HAVE A FIXED ORIENTATION  
 F1 = MCF CONNECTION DOWN (L=25-220MM)  
 F2 = MCF CONNECTION UP (L=25-220MM)  
 (SEE NOTES 1, 2, 3 AND DIAGRAMS FOR MORE INFORMATION)



REV. DATE & DRN  
 10 14/05/10 - NYW RELEASE

Scale: NTS	THIRD ANGLE	Unstated .X .XX .XXX ANGLES	Tolerances: ±0.2 ±0.1 ±0.05 ±5	Material SEE NOTE
Drawn: NYW				
App'd: XXX	Title: CABLE ASSEMBLY	NOT TO SCALE		
Date: 14 MAY '10	Revision: 1.0	Unit: mm		

www.gradconn.com

THIS DRAWING IS CONFIDENTIAL AND MUST NOT BE COPIED OR DISCLOSED WITHOUT WRITTEN CONSENT

Type: Cable 102 RF
CABLE 102 RF
Drawing Number:
Sheet 1 of 1
Drawing C 0 E and O E