

CABLE 097 RF: RF CABLE ASSEMBLY, SUNRIDGE MCF PLUG + SMA JACK R/A + 1.13 MM CABLE

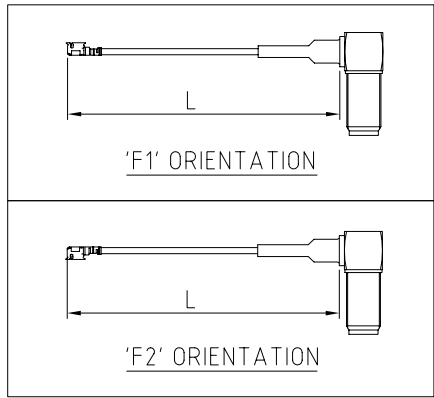
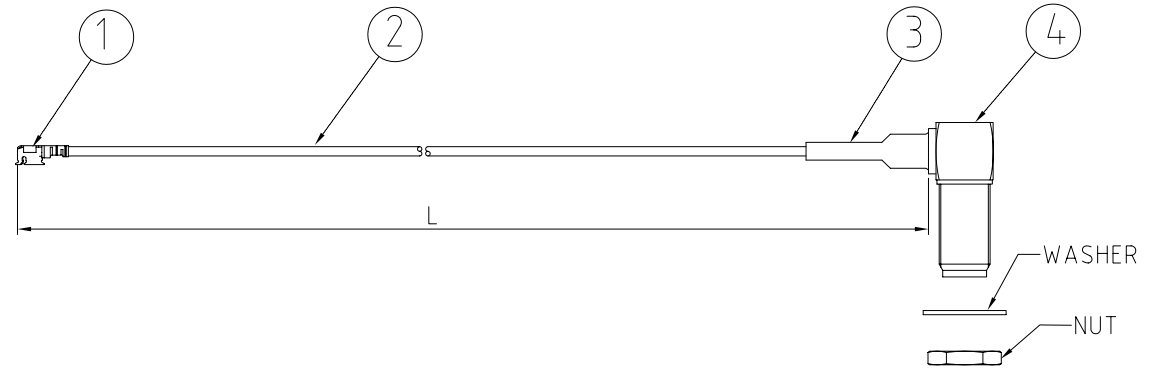
SPECIFICATIONS

1. SUNRIDGE MCF PLUG (MCF-DH-59(G)-100)
2. 1.13MM COAXIAL CABLE, COLOR: GRAY
3. HEATSHRINK, COLOR: BLACK
4. SMA JACK R/A (C02BS31113017)

USAGE PRECAUTIONS: CABLES USING 'MICRO' COAX ARE DELICATE:
 (i) HANDLE WITH CARE.
 (ii) DO NOT TWIST; APPLY EXCESSIVE FORCES OR SHARP BENDS TO THE CABLE. DO NOT FORCEFULLY DEFORM WIRES.
 (iii) CONSULT CONNECTOR MANUFACTURER'S DATASHEETS FOR DETAILED NOTES ON HANDLING INSTRUCTIONS.

NOTES:

1. THE ORIENTATION OF CONNECTORS ON DRAWING IS FOR REFERENCE ONLY, IF THE ORDER IS LEFT BLANK THE CONNECTOR WILL NOT HAVE FIXED ORIENTATION.
2. FIXED ORIENTATION IS POSSIBLE FOR CABLE LENGTH 25MM TO 220MM. PLEASE SPECIFY THE FIXED ORIENTATIONS FROM THE ORDER CODE (F1, F2, ETC)
3. CONTACT GRAD CONN IF THE ORIENTATION YOU REQUIRE IS NOT SHOWN.
4. WORKING FREQUENCY RANGE: DC-6GHz



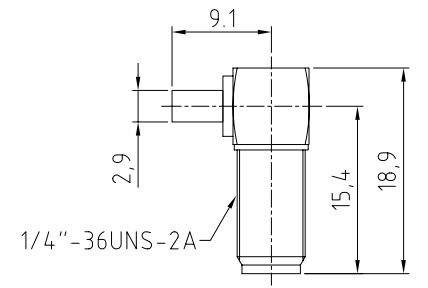
HOW TO ORDER

CABLE 097 RF - X X X - X X - X

"L" LENGTH IN MM
 eg: 100MM = 0100
 (MIN. 025-MAX.400)
 STANDARD = 100, 150, 200)
 Tolerance: <50mm : ±2mm.
 51-200mm: ±5mm.
 201-400mm: ±7mm.

WASHER AND NUT OPTIONS:
 BLANK = SEPERATELY PACKED (STANDARD)
 A = ASSEMBLED WITH CONNECTOR

BLANK = DOES NOT HAVE A FIXED ORIENTATION
 F1 = MCF CONNECTION UP (L=25-220MM)
 F2 = MCF CONNECTION DOWN (L=25-220MM)
 (SEE NOTES 1, 2, 3 AND DIAGRAMS FOR MORE INFORMATION)



SMA JACK DETAIL DIMENSION

REV. DATE & DRN
 10 10/03/10 - NYW RELEASE
 11 11/03/10 - NYW
 ADD WASHER & NUT OPTION
 12 10/06/10 - NYW
 ADD SMA DETAIL DIMENSION

Scale: NTS	THIRD ANGLE	Unstated .X .XX .XXX ANGLES	Tolerances: ±0.2 ±0.1 ±0.05 ±5	Material SEE NOTE
Drawn: NYW				
App'd: XXX	Title: CABLE ASSEMBLY	NOT TO SCALE		
Date: 10 JUN '10	Revision: 1.2	Unit: mm		

© THIS DRAWING IS CONFIDENTIAL AND MUST NOT BE COPIED OR DISCLOSED WITHOUT WRITTEN CONSENT

Type: Cable 097 RF
CABLE 097 RF
Drawing Number:
Sheet 1 of 1
Drawing © E and O E