

CABLE 093 RF: RF CABLE ASSEMBLY, SUNRIDGE MCF + SUNRIDGE MCF + 1.13MM CABLE

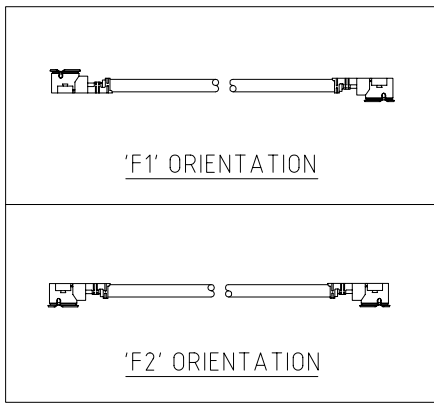
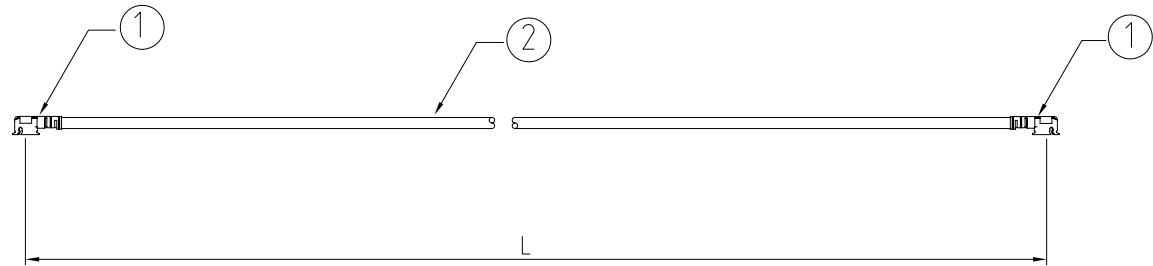
SPECIFICATIONS :

1. SUNRIDGE MCF PLUG.
2.  $\phi$ 1.13MM COXIAL CABLE, BLACK..

NOTES:

1. THE ORIENTATION OF CONNECTORS ON DRAWING IS FOR REFERENCE ONLY, IF THE ORDER IS LEFT BLANK THE CONNECTOR WILL NOT HAVE FIXED ORIENTATION.
2. FIXED ORIENTATION IS POSSIBLE FOR CABLE LENGTH 25MM TO 220MM. PLEASE SPECIFY THE FIXED ORIENTATIONS FROM THE ORDER CODE (F1, F2, ETC)
3. CONTACT GRAD CONN IF THE ORIENTATION YOU REQUIRE IS NOT SHOWN.
4. WORKING FREQUENCY RANGE: DC-6GHz

USAGE PRECAUTIONS: CABLES USING 'MICRO' COAX ARE DELICATE:  
 (i) HANDLE WITH CARE.  
 (ii) DO NOT TWIST; APPLY EXCESSIVE FORCES OR SHARP BENDS TO THE CABLE. DO NOT FORCEFULLY DEFORM WIRES.  
 (iii) CONSULT CONNECTOR MANUFACTURER'S DATASHEETS FOR DETAILED NOTES ON HANDLING INSTRUCTIONS.



HOW TO ORDER  
 CABLE 093 RF - X X X - X X

"L" LENGTH IN MM  
 eg: 100MM = 100  
 (MIN. 50 - MAX. 400,  
 STANDARD : 100, 150, 200)  
 TOLERANCE: 50-100MM:  $\pm$ 2MM  
 101-200MM:  $\pm$ 3MM  
 201-300MM:  $\pm$ 5MM  
 301-400MM:  $\pm$ 10MM

BLANK = DOES NOT HAVE A FIXED ORIENTATION  
 F1 = OPPOSITE ORIENTATION (L=25-220MM)  
 F2 = SAME ORIENTATION (L=25-220MM)  
 (SEE NOTES 1, 2, 3 AND DIAGRAMS FOR MORE INFORMATION)

REV. DATE & DRN  
 10 29/12/09 - NYW RELEASE

Scale: NTS	THIRD ANGLE	Unstated .X .XX	Tolerances: $\pm$ 0.25 $\pm$ 0.15	Material SEE NOTE
Drawn: NYW		Title CABLE ASSEMBLY		NOT TO SCALE
App'd: XXX	Date: 29 DEC '09	Revision: 1.0	Unit: mm	

www.gradconn.com

© THIS DRAWING IS CONFIDENTIAL AND MUST NOT BE COPIED OR DISCLOSED WITHOUT WRITTEN CONSENT

Type: Cable 093 RF
CABLE 093 RF
Drawing Number:
Sheet 1 of 1
Drawing © E and O E