

CABLE 085 RF: RF CABLE ASSEMBLY, MURATA GSC MXTK92 + SMA JACK S/T PCB MOUNT CABLE TYPE + 0.81MM CABLE

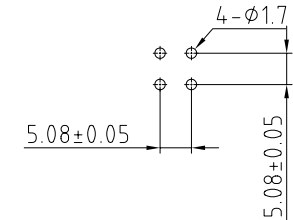
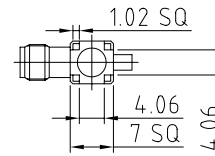
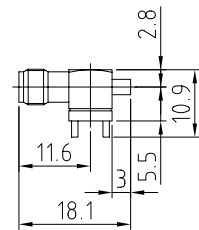
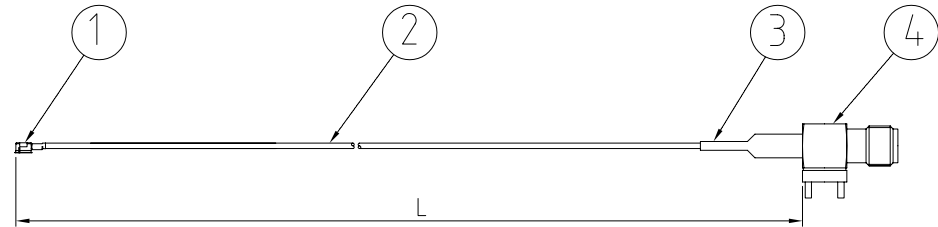
SPECIFICATIONS

1. MURATA GSC MXTK92
2. 0.81MM COAXIAL CABLE, COLOR: GRAY
3. HEATSHRINK, COLOR: BLACK
4. SMA JACK S/T PCB MOUNT CABLE TYPE (C02BI31081015B)

NOTES:

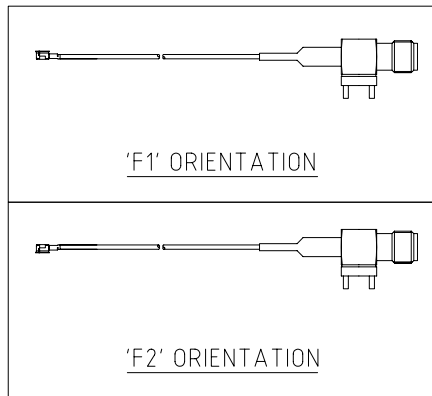
1. THE ORIENTATION OF CONNECTORS ON DRAWING IS FOR REFERENCE ONLY, IF THE ORDER IS LEFT BLANK THE CONNECTOR WILL NOT HAVE FIXED ORIENTATION.
2. FIXED ORIENTATION IS POSSIBLE FOR CABLE LENGTH 25MM TO 220MM. PLEASE SPECIFY THE FIXED ORIENTATIONS FROM THE ORDER CODE (F1, F2, ETC)
3. CONTACT GRAD CONN IF THE ORIENTATION YOU REQUIRE IS NOT SHOWN.
4. WORKING FREQUENCY RANGE: DC-6GHz

USAGE PRECAUTIONS: CABLES USING 'MICRO' COAX ARE DELICATE:
 (i) HANDLE WITH CARE.
 (ii) DO NOT TWIST; APPLY EXCESSIVE FORCES OR SHARP BENDS TO THE CABLE. DO NOT FORCEFULLY DEFORM WIRES.
 (iii) CONSULT CONNECTOR MANUFACTURER'S DATASHEETS FOR DETAILED NOTES ON HANDLING INSTRUCTIONS.



SMA JACK DETAIL DIMENSION

RECOMMENDED PC BOARD LAYOUT



HOW TO ORDER

CABLE 085 RF - X X X - X X

"L" LENGTH IN MM
 eg: 100MM = 100
 (MIN. 025-MAX.400)
 STANDARD = 100, 150, 200
 Tolerance: <50mm : ±2mm.
 51-200mm: ±5mm.
 201-400mm: ±7mm.

BLANK = DOES NOT HAVE A FIXED ORIENTATION
 F1 = OPPOSITE ORIENTATION (L=25-220MM)
 F2 = SAME ORIENTATION (L=25-220MM)
 (SEE NOTES 1, 2, 3 AND DIAGRAMS FOR MORE INFORMATION)

REV. DATE & DRN
 10 27/10/09 - CHC RELEASE
 11 17/05/10 - NYW
 AMEND SMA DESCRIPTION TO S/T TYPE

Scale: NTS	THIRD ANGLE	Unstated .X .XX .XXX ANGLES	Tolerances: ±0.2 ±0.1 ±0.05 ±5	Material SEE NOTE
Drawn: CHC				
App'd: XXX	Title: CABLE ASSEMBLY	NOT TO SCALE		
Date: 17 MAY '10	Revision: 1.1	Unit: mm		

www.gradconn.com

THIS DRAWING IS CONFIDENTIAL AND MUST NOT BE COPIED OR DISCLOSED WITHOUT WRITTEN CONSENT

Type: Cable 085 RF
CABLE 085 RF
Drawing Number:
Sheet 1 of 1
Drawing © E and O E