

CABLE 083 RF: RF CABLE ASSEMBLY, HIROSE U.FL + 1.13 CABLE + STRIP / TIN

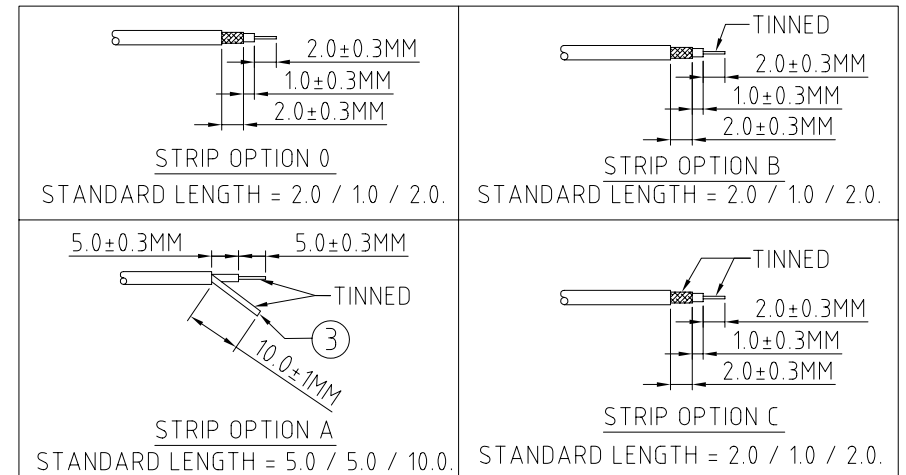
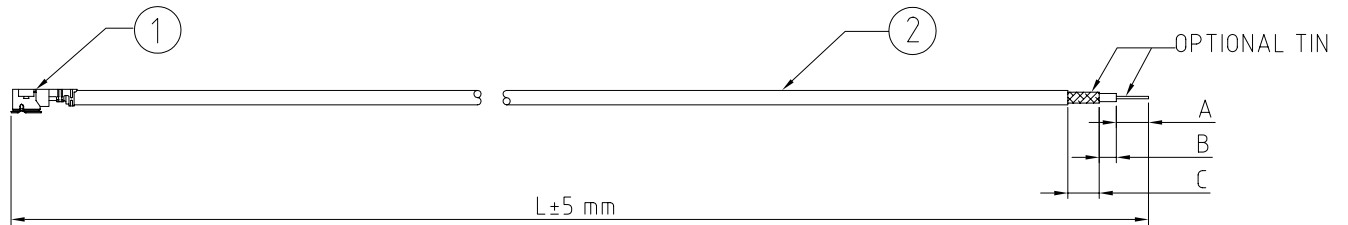
SPECIFICATIONS :

1. HIROSE U.FL PLUG (U.FL-LP-068)
2. 1.13MM COAXIAL CABLE (BLACK)
3. FLEXIBLE COPPER WIRE, DIAMETER: 0.5MM.

USAGE PRECAUTIONS: CABLES USING 'MICRO' COAX ARE DELICATE:
 (i) HANDLE WITH CARE.
 (ii) DO NOT TWIST; APPLY EXCESSIVE FORCES OR SHARP BENDS TO THE CABLE. DO NOT FORCEFULLY DEFORM WIRES.
 (iii) CONSULT CONNECTOR MANUFACTURER'S DATASHEETS FOR DETAILED NOTES ON HANDLING INSTRUCTIONS.

NOTES:

1. STRIP DIMENSION A / B / C STANDS FOR
 A = CENTRE CONDUCTOR
 B = INSULATOR
 C = BRAID.
2. INSERTION LOSS TEST REPORT IS NOT AVAILABLE.
3. THIS IS OUR STANDARD OFFERING, SPECIAL DESIGNS ARE AVAILABLE, INCLUDING CUSTOM TOLERANCES AND SPECIAL BRAID TINNING DESIGNS. PLEASE CONTACT GRADCONN FOR MORE INFORMATION.
4. CENTRE CONDUCTOR OF COAX CABLE IS TINNED. LENGTH OF TINNED COPPER WIRE IS SOLDERED TO THE BRAID/SHIELD OF THE COAX CABLE WHICH ALLOWS SOLDERING TO PCB.



HOW TO ORDER

CABLE 083 RF - X X X - X.X / X.X / X.X - X

"L" LENGTH IN MM
 eg: 100MM = 100
 (MIN. 025 - MAX. 400
 STANDARD : 100, 150, 200)

A/B/C STRIP DIMENSION IN MM
 FOR STANDARD LENGTH PLEASE
 REFER TO DRAWINGS.
 (SPECIALS AVAILABLE UPON
 REQUEST.)

STRIP AND TIN OPTIONS:
 0 = STRIPPED ONLY, NOT TINNED
 A = CENTER CONDUCTOR & SOLDERED COPPER WIRE TINNED
 (SEE NOTE 4 FOR SOLDER TO PCB APPLICATION)
 B = STRIPPED, END A TINNED
 C = STRIPPED, END A & C TINNED

REV. DATE & DRN
 10 26/10/09 - NYW RELEASE
 11 27/10/09 - NYW REMOVE B STRIP OPTION.
 12 30/10/09 - NYW ADD STRIP OPTIONS B, C.
 13 26/11/09 - NYW ADD 1 DECIMAL PLACE TO STRIP DIMENSIONS.

Scale: NTS	THIRD ANGLE	Unstated .X .XX .XXX ANGLES	Tolerances: ±0.2 ±0.1 ±0.05 ±5	Material SEE NOTE
Drawn: NYW				
App'd: XXX	Title: CABLE ASSEMBLY	NOT TO SCALE		
Date: 26 NOV '09	Revision: 1.3	Unit: mm		



www.gradconn.com

THIS DRAWING IS CONFIDENTIAL AND MUST NOT BE COPIED OR DISCLOSED WITHOUT WRITTEN CONSENT

Type: Cable 083 RF
CABLE 083 RF
Drawing Number:
Sheet 1 of 1
Drawing © E and O E