

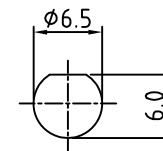
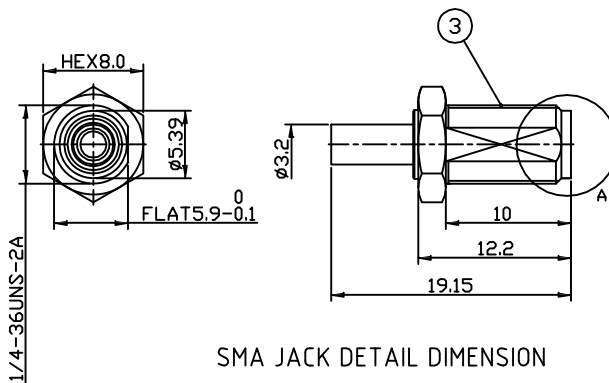
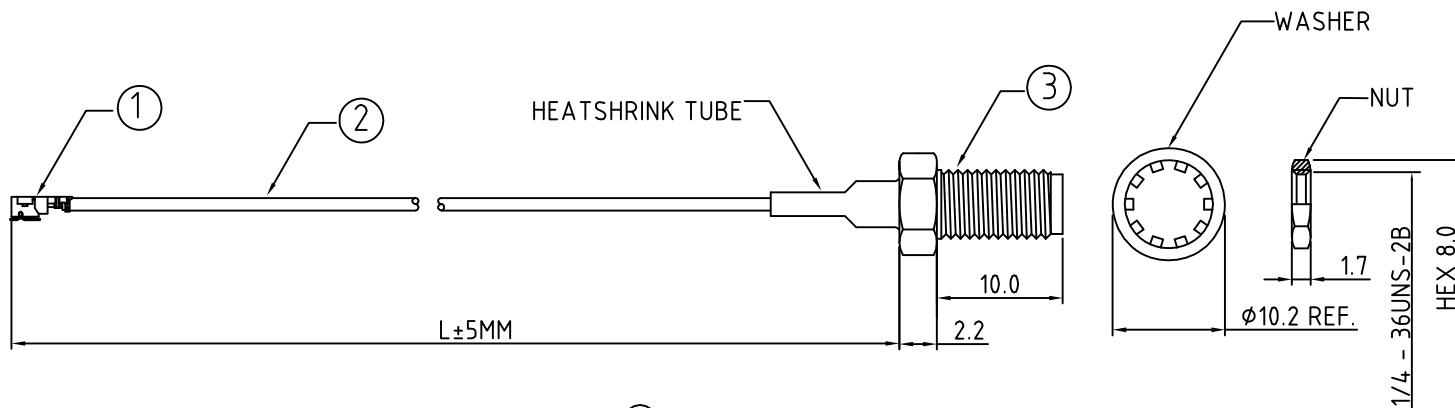
CABLE 079 RF: RF CABLE ASSEMBLY, I-PEX MHF + RP SMA BULKHEAD JACK + 1.37MM CABLE - 3GHz

SPECIFICATIONS

1. I-PEX MHF PLUG (20351-112R-37), GOLD (ALTERNATIVE TO HIROSE U.FL)
2. 1.37MM COAXIAL CABLE, COLOR: WHITE
3. RP SMA ST BULKHEAD JACK (WITH THREADED NUT) (C20ABWS178003A), GOLD

**USAGE PRECAUTIONS: CABLES USING 'MICRO' COAX ARE DELICATE:**  
 (i) HANDLE WITH CARE.  
 (ii) DO NOT TWIST; APPLY EXCESSIVE FORCES OR SHARP BENDS TO THE CABLE. DO NOT FORCEFULLY DEFORM WIRES.  
 (iii) CONSULT CONNECTOR MANUFACTURER'S DATASHEETS FOR DETAILED NOTES ON HANDLING INSTRUCTIONS.

- NOTES:
1. THE ORIENTATION OF CONNECTORS ON DRAWING IS FOR REFERENCE ONLY, FIXED ORIENTATION IS POSSIBLE FOR CABLE SHORTER THAN 100MM. PLEASE CONTACT US IF YOU REQUIRE A SPECIFIC ORIENTATION.
  2. ELECTRICAL:  
WORKING FREQUENCY RANGE: DC-3GHz



HOW TO ORDER  
 CABLE 079 RF - X X X - X

"L" LENGTH IN MM  
 eg: 100MM = 100  
 (MIN. 50 - MAX. 400,  
 STANDARD : 100, 150, 200)

WASHER AND NUT OPTIONS:  
 BLANK = SEPERATELY PACKED (STANDARD)  
 A = ASSEMBLED WITH CONNECTOR

REV. DATE & DRN TO 05/08/09 - NYW RELEASE

Scale: NTS	THIRD ANGLE	Unstated Tolerances: .X ±0.2 .XX ±0.1 .XXX ±0.05 ANGLES ±5	Material SEE NOTE
Drawn: NYW			
App'd: XXX	Title CABLE ASSEMBLY		NOT TO SCALE
Date: 6 AUG '09	Revision: 1.0		Unit: mm

www.gradconn.com

THIS DRAWING IS CONFIDENTIAL AND MUST NOT BE COPIED OR DISCLOSED WITHOUT WRITTEN CONSENT

Type: Cable 079 RF
CABLE 079 RF
Drawing Number:
Sheet 1 of 1
Drawing © E and O E