

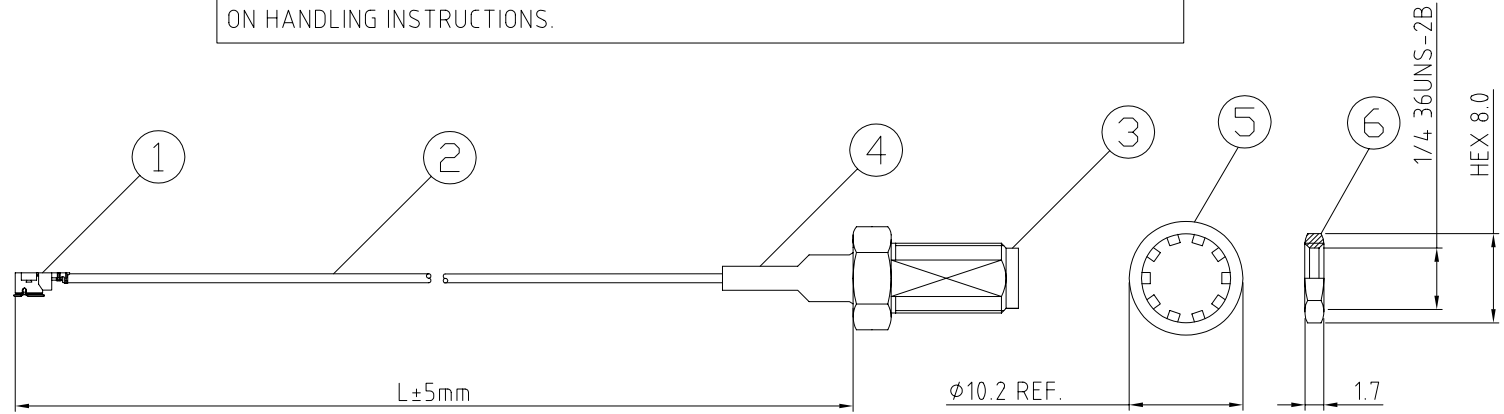
CABLE 075 RF: RF CABLE ASSEMBLY, I-PEX MHF PLUG + SMA BUCK JACK + 1.37MM CABLE

SPECIFICATIONS

1. I-PEX MHF PLUG (20351-112R-37), GOLD (ALTERNATIVE TO HIROSE U.FL)
2. 1.37MM COAXIAL CABLE, COLOR: BLACK
3. SMA BULKHEAD JACK (C02ABWS178003B), GOLD
4. HEATSHRINK
5. WASHER, BRASS
6. NUT, BRASS

USAGE PRECAUTIONS: CABLES USING 'MICRO' COAX ARE DELICATE:
 (i) HANDLE WITH CARE.
 (ii) DO NOT TWIST; APPLY EXCESSIVE FORCES OR SHARP BENDS TO THE CABLE. DO NOT FORCEFULLY DEFORM WIRES.
 (iii) CONSULT CONNECTOR MANUFACTURER'S DATASHEETS FOR DETAILED NOTES ON HANDLING INSTRUCTIONS.

NOTES:
 1. THE ORIENTATION OF CONNECTORS ON DRAWING IS FOR REFERENCE ONLY, FIXED ORIENTATION IS POSSIBLE FOR CABLE SHORTER THAN 100MM. PLEASE CONTACT US IF YOU REQUIRE A SPECIFIC ORIENTATION.

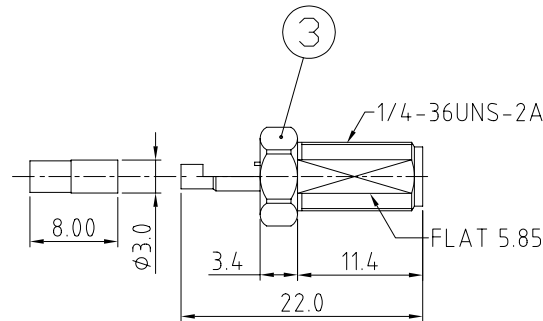


HOW TO ORDER

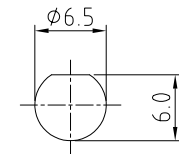
CABLE 075 RF - X X X - X

"L" LENGTH IN MM
 eg: 100MM = 100
 (MIN. 50 - MAX. 400,
 STANDARD : 100, 150, 200)

WASHER AND NUT OPTIONS:
 BLANK = SEPERATELY PACKED (STANDARD)
 A = ASSEMBLED WITH CONNECTOR


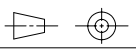


SMA JACK DETAIL DIMENSION



RECOMMENDED SMA MOUNTING HOLE

REV. DATE & DRN TO 24/04/09 - CHC RELEASE

Scale: NTS	THIRD ANGLE	Unstated .X ±0.2 .XX ±0.1 .XXX ±0.05 ANGLES ±5	Material SEE NOTE	 www.gradconn.com	Type: Cable 075 RF
Drawn: CHC			NOT TO SCALE		CABLE 075 RF
App'd: XXX	Title: CABLE ASSEMBLY				Drawing Number:
Date: 24 APR '09	Revision: 1.0		Unit: mm		Sheet 1 of 1
© THIS DRAWING IS CONFIDENTIAL AND MUST NOT BE COPIED OR DISCLOSED WITHOUT WRITTEN CONSENT					Drawing © E and O E