

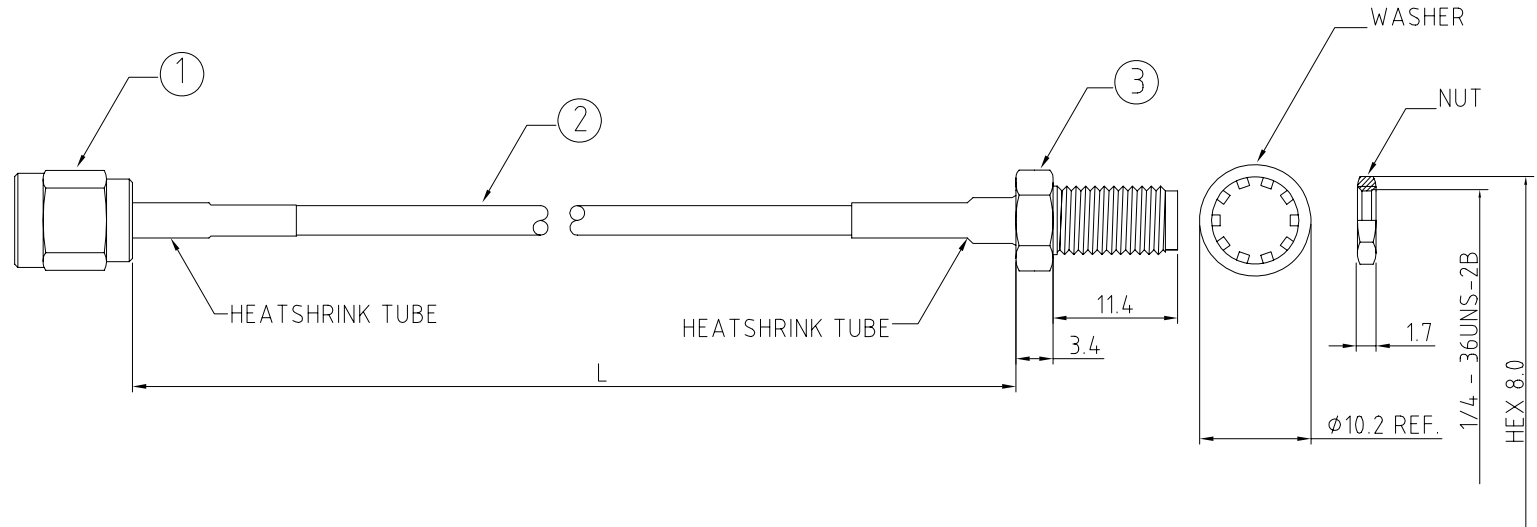


CABLE 071 RF: RF CABLE ASSEMBLY, SMA ST PLUG + SMA FEMALE BULKHEAD + MULTIPLE CABLE SIZES - 3GHz

SPECIFICATIONS

1. SMA STRAIGHT PLUG P/N:
FOR RG174 CABLE: C01AA31174004A
FOR RG58 CABLE: C01AA31058A04A
2. MIT COAXIAL CABLE (SEE CABLE OPTIONS FOR DETAIL).
3. SMA ST BULKHEAD, GOLD PLATED, P/N:
FOR RG174 CABLE: C02ABWS174003C
FOR RG58 CABLE: C02AB31058A03C

NOTES:
1, ELECTRICAL
WORKING FREQUENCY RANGE: DC-3GHz \triangle



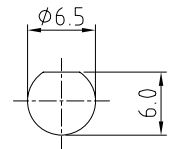
HOW TO ORDER

CABLE 071 RF - X X X X - X - X

WASHER AND NUT OPTIONS:
"L" LENGTH IN MM BLANK = SEPERATELY PACKED (STANDARD)
eg: 100MM = 0100 A = ASSEMBLED WITH CONNECTOR
(MIN. = 0050)

STANDARD = 0100, 0150, 0200
Tolerance: <50mm : ± 2 mm.
51-200mm: ± 5 mm.
201-500mm: ± 7 mm.
>501mm: ± 10 mm.

CABLE SIZE OPTIONS:
BLANK = RG174 CABLE, COLOR: BLACK
 \triangle 1 = RG58 CABLE, COLOR: BLACK (PVC JACKET)



RECOMMENDED SMA MOUNTING HOLE

REV. DATE & DRN
10 06/03/09 - NYW RELEASE
11 26/08/09-PCY
 \triangle ADD WORKING FREQUENCY RANGE.
12 15/02/11 - NYW
 \triangle ADD RG58 CABLE OPTION.

Scale: NTS	THIRD ANGLE	Unstated X .XX .XXX ANGLES	Tolerances: ± 0.2 ± 0.1 ± 0.05 ± 5	Material SEE NOTE
Drawn: NYW				
App'd: XXX	Title: CABLE ASSEMBLY	NOT TO SCALE		
Date: 15 FEB 2011	Revision: 1.2	Unit: mm		

www.gradconn.com

C THIS DRAWING IS CONFIDENTIAL AND MUST NOT BE COPIED OR DISCLOSED WITHOUT WRITTEN CONSENT

Type: Cable 071 RF
CABLE 071 RF
Drawing Number:
Sheet 1 of 1
Drawing C E and O E