

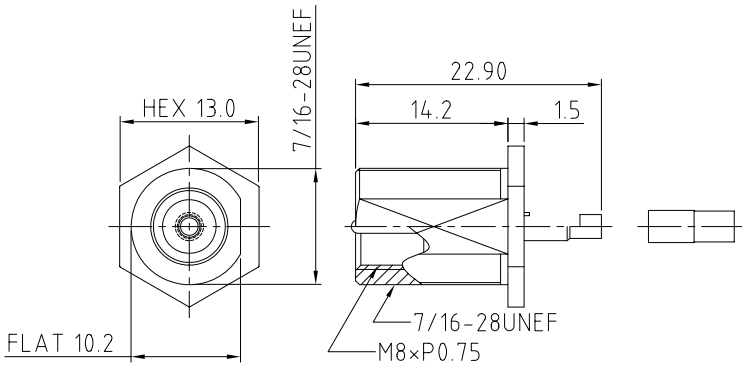
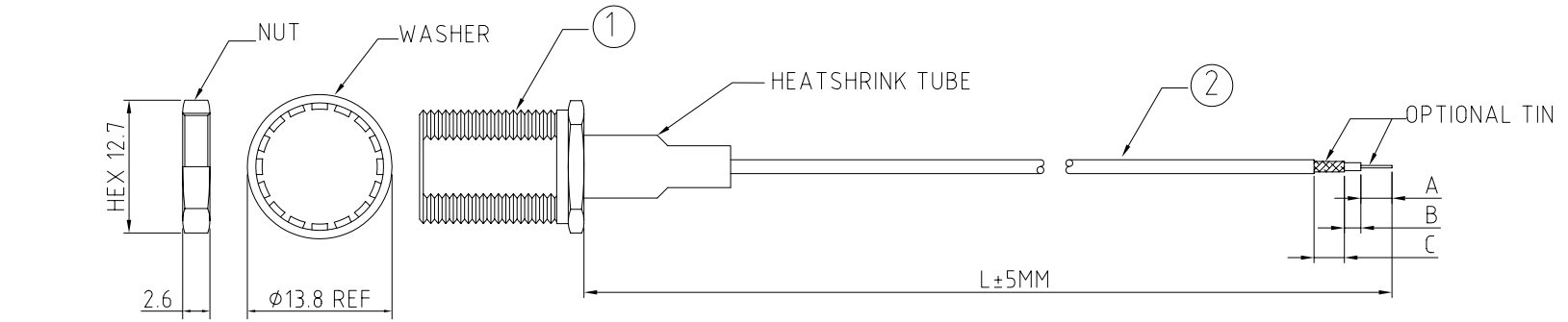
CAB066RF: RF CABLE ASSEMBLY, FME BULKHEAD PLUG + 1.32 CABLE + STRIP / TIN

SPECIFICATIONS :

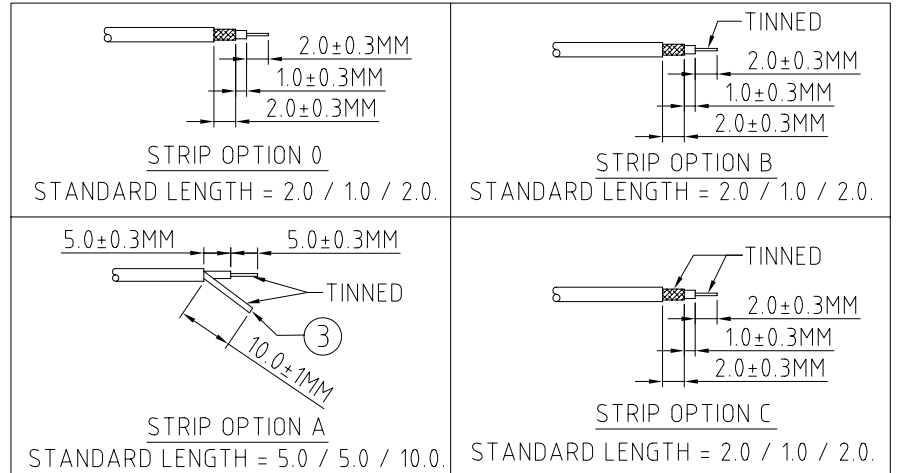
1. FME BULKHEAD PLUG (C29CBWS178001), NICKEL
2. 1.32MM SINGLE SHIELD COAXIAL CABLE, MIT, COLOR: GRAY
3. FLEXIBLE COPPER WIRE, DIAMETER: 0.5MM.

NOTES:

1. STRIP DIMENSION A / B / C STANDS FOR
A = CENTRE CONDUCTOR
B = INSULATOR
C = BRAID.
2. INSERTION LOSS TEST REPORT IS NOT AVAILABLE.
3. THIS IS OUR STANDARD OFFERING, SPECIAL DESIGNS ARE AVAILABLE, INCLUDING CUSTOM TOLERANCES AND SPECIAL BRAID TINNING DESIGNS. PLEASE CONTACT GRADCONN FOR MORE INFORMATION.
4. CENTRE CONDUCTOR OF COAX CABLE IS TINNED. LENGTH OF TINNED COPPER WIRE IS SOLDERED TO THE BRAID/SHIELD OF THE COAX CABLE WHICH ALLOWS SOLDERING TO PCB.



FME PLUG DETAIL DIMENSION



HOW TO ORDER

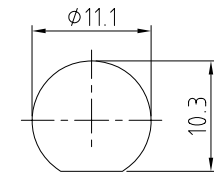
CAB066RF - X X X X - X.X / X.X / X.X - X - X

"L" LENGTH IN MM
eg: 100MM = 0100
(MIN. 0025,
STANDARD : 0100, 0150,
0200)

A/B/C STRIP DIMENSION IN MM
FOR STANDARD LENGTH PLEASE
REFER TO DRAWINGS.
(SPECIALS AVAILABLE UPON
REQUEST.)

WASHER AND NUT OPTIONS:
BLANK = SEPERATELY PACKED (STANDARD)
A = ASSEMBLED WITH CONNECTOR

STRIP AND TIN OPTIONS:
0 = STRIPPED ONLY, NOT TINNED
A = CENTER CONDUCTOR & SOLDERED COPPER WIRE TINNED
(SEE NOTE 4 FOR SOLDER TO PCB APPLICATION)
B = STRIPPED, END A TINNED
C = STRIPPED, END A & C TINNED



RECOMMENDED FME MOUNTING HOLE

REV. DATE & DRN	10 03/02/09 - NYW RELEASE
11 08/10/09 - NYW	CHANGE TWISTED BRAID TO SOLDERED COPPER WIRE. ADD SPECIFICATION OF COMPONENT 3. ADD NOTES 4. ADD WASHER & NUT OPTION. ADD STRIP OPTIONS B, C.
12 30/10/09 - NYW	ADD DIMENSIONAL PLACE TO STRIP LENGTH. CHANGE PIN TO CAB066RF. WAS CABLE 066 RF.
13 26/11/09 - NYW	ADD DIMENSIONAL PLACE TO STRIP LENGTH. CHANGE PIN TO CAB066RF. WAS CABLE 066 RF.

Scale: NTS	THIRD ANGLE	Unstated .X .XX .XXX ANGLES	Tolerances: ±0.2 ±0.1 ±0.05 ±5	Material SEE NOTE
Drawn: NYW				
App'd: XXX	Title: CABLE ASSEMBLY			NOT TO SCALE
Date: 26 NOV '09	Revision: 13			Unit: mm

www.gradconn.com

THIS DRAWING IS CONFIDENTIAL AND MUST NOT BE COPIED OR DISCLOSED WITHOUT WRITTEN CONSENT

Type: Cable 066 RF
CAB066RF
Drawing Number:
Sheet 1 of 1
Drawing © E and O E