



CABLE 064 RF: RF CABLE ASSEMBLY, IPEX MHF + 1.32 CABLE + STRIP / TIN

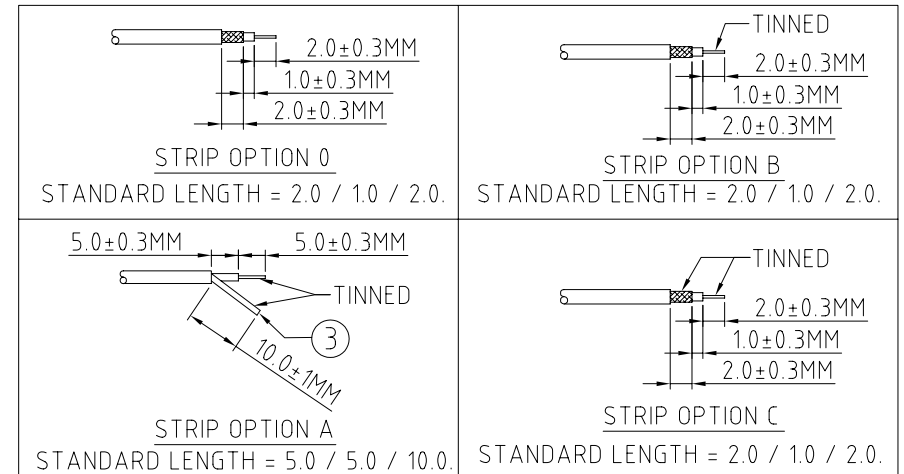
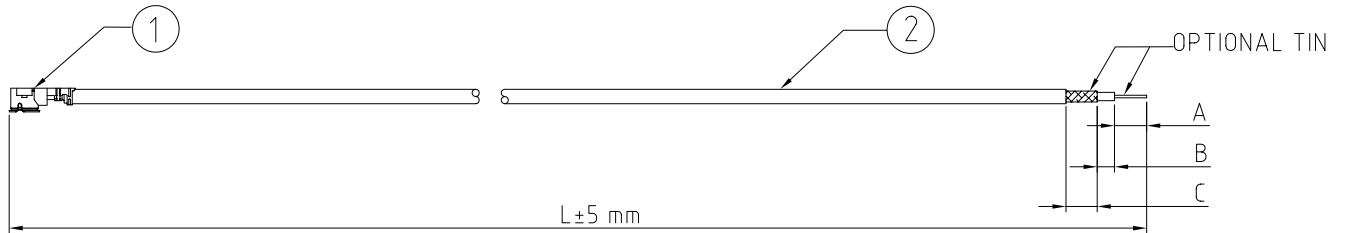
SPECIFICATIONS :

1. I-PEX MHF PLUG (20278-112R-32)
2. 1.32MM MIT SINGLE SHIELD COAXIAL CABLE (GRAY)
3. FLEXIBLE COPPER WIRE, DIAMETER: 0.5MM.

**USAGE PRECAUTIONS: CABLES USING 'MICRO' COAX ARE DELICATE:**  
 (i) HANDLE WITH CARE.  
 (ii) DO NOT TWIST; APPLY EXCESSIVE FORCES OR SHARP BENDS TO THE CABLE. DO NOT FORCEFULLY DEFORM WIRES.  
 (iii) CONSULT CONNECTOR MANUFACTURER'S DATASHEETS FOR DETAILED NOTES ON HANDLING INSTRUCTIONS.

NOTES:

1. STRIP DIMENSION A / B / C STANDS FOR  
 A = CENTRE CONDUCTOR  
 B = INSULATOR  
 C = BRAID.
2. INSERTION LOSS TEST REPORT IS NOT AVAILABLE.
3. THIS IS OUR STANDARD OFFERING, SPECIAL DESIGNS ARE AVAILABLE, INCLUDING CUSTOM TOLERANCES AND SPECIAL BRAID TINNING DESIGNS. PLEASE CONTACT GRADCONN FOR MORE INFORMATION.
4. CENTRE CONDUCTOR OF COAX CABLE IS TINNED. LENGTH OF TINNED COPPER WIRE IS SOLDERED TO THE BRAID/SHIELD OF THE COAX CABLE WHICH ALLOWS SOLDERING TO PCB.



HOW TO ORDER

CABLE 064 RF - XXX - X.X / X.X / X.X - X

"L" LENGTH IN MM  
 eg: 100MM = 100  
 (MIN. 050 - MAX. 400  
 STANDARD : 100, 150, 200)

A/B/C STRIP DIMENSION IN MM  
 FOR STANDARD LENGTH PLEASE  
 REFER TO DRAWINGS.  
 (SPECIALS AVAILABLE UPON  
 REQUEST.)

STRIP AND TIN OPTIONS:  
 0 = STRIPPED ONLY, NOT TINNED  
 A = CENTER CONDUCTOR & SOLDERED COPPER WIRE TINNED  
 (SEE NOTE 4 FOR SOLDER TO PCB APPLICATION)  
 B = STRIPPED, END A TINNED  
 C = STRIPPED, END A & C TINNED

REV. DATE & DRN	10 02/07/09 - NYW RELEASE
	11 08/10/09 - NYW CHANGE TWISTED BRAID TO SOLDERED COPPER WIRE. ADD SPECIFICATION OF COMPONENT 3. ADD NOTES 4.
	12 30/10/09 - NYW ADD STRIP OPTIONS B, C.
	13 26/11/09 - NYW ADD 1 DECIMAL PLACE TO STRIP DIMENSIONS.

Scale: NTS	THIRD ANGLE	Unstated .X .XX .XXX ANGLES	Tolerances: ±0.2 ±0.1 ±0.05 ±5	Material SEE NOTE
Drawn: NYW				
App'd: XXX	Title: CABLE ASSEMBLY			NOT TO SCALE
Date: 26 NOV '09	Revision: 1.3			Unit: mm

www.gradconn.com

THIS DRAWING IS CONFIDENTIAL AND MUST NOT BE COPIED OR DISCLOSED WITHOUT WRITTEN CONSENT

Type: Cable 064 RF
CABLE 064 RF
Drawing Number:
Sheet 1 of 1
Drawing © E and O E