

CABLE 062 RF: RF CABLE ASSEMBLY, HIROSE H.FL + SMA BULK JACK + 1.48MM COAXIAL CABLE - 3GHz

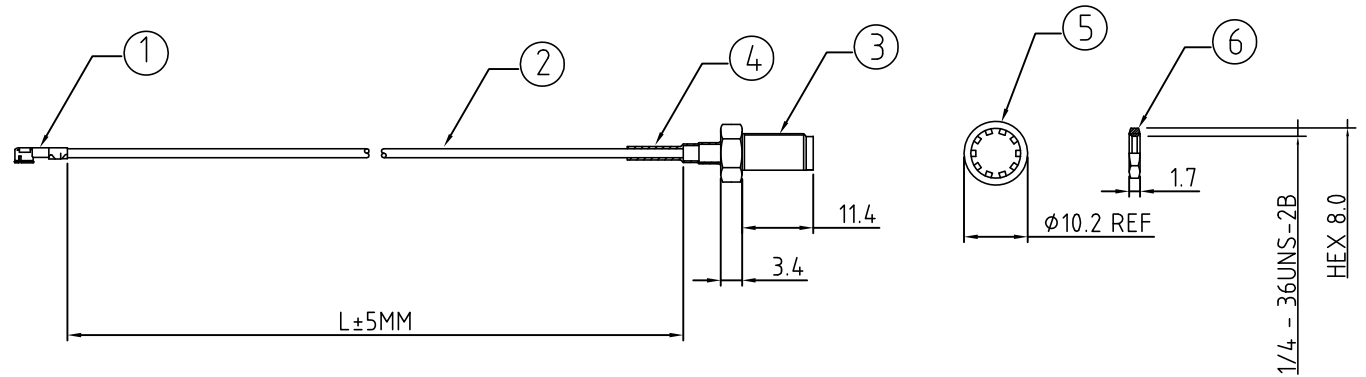
SPECIFICATIONS

1. HIROSE H.FL-LP
2. 1.48MM MIT COAXIAL CABLE (50 OHM, BLACK)
3. SMA BULKHEAD JACK CRIMP (C02AB31148003)
4. HEATSHRINK TUBE
5. WASHER
6. NUT

**USAGE PRECAUTIONS: CABLES USING 'MICRO' COAX ARE DELICATE:**  
 (i) HANDLE WITH CARE.  
 (ii) DO NOT TWIST; APPLY EXCESSIVE FORCES OR SHARP BENDS TO THE CABLE. DO NOT FORCEFULLY DEFORM WIRES.  
 (iii) CONSULT CONNECTOR MANUFACTURER'S DATASHEETS FOR DETAILED NOTES ON HANDLING INSTRUCTIONS.

NOTES:

1. THE ORIENTATION OF CONNECTORS ON DRAWING IS FOR REFERENCE ONLY, FIXED ORIENTATION IS POSSIBLE FOR CABLE SHORTER THAN 100MM. PLEASE CONTACT US IF YOU REQUIRE A SPECIFIC ORIENTATION.
2. ELECTRICAL WORKING FREQUENCY RANGE: DC-3GHz  $\Delta$

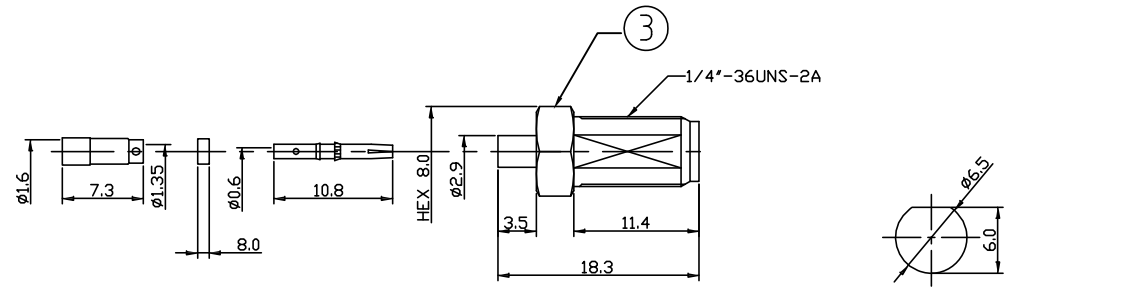


HOW TO ORDER

CABLE 062 RF - XXX - X

"L" LENGTH IN MM  
 eg: 100MM = 100  
 (MIN. 50 - MAX. 400,  
 STANDARD : 100, 150, 200)

WASHER AND NUT OPTIONS:  
 BLANK = SEPERATELY PACKED (STANDARD)  
 A = ASSEMBLED WITH CONNECTOR



SMA JACK DETAIL DIMENSION

RECOMMENDED SMA MOUNTING HOLE

REV. DATE & DRN  
 TO 27/07/09 - CHC RELEASE  
 1.1 26/08/09-PCY  
 ADD WORKING FREQUENCY RANGE.  
 1.2 06/10/09 - UPDATE TO SMA DETAIL VIEWS

Scale: NTS	THIRD ANGLE	Unstated .X .XX .XXX ANGLES	Tolerances: $\pm 0.2$ $\pm 0.1$ $\pm 0.05$ $\pm 5$	Material SEE NOTE
Drawn: CHC				NOT TO SCALE
App'd: XXX	Title CABLE ASSEMBLY			Unit: mm
Date: 26 AUG '09	Revision: 1.2			

**GRADCONN**  
www.gradconn.com

THIS DRAWING IS CONFIDENTIAL AND MUST NOT BE COPIED OR DISCLOSED WITHOUT WRITTEN CONSENT

Type: Cable 062 RF
CABLE 062 RF
Drawing Number:
Sheet 1 of 1
Drawing © E and O E