

CABLE 056 RF: RF CABLE ASSEMBLY, MURATA GSC + RP SMA BULKHEAD JACK + 0.81MM COAXIAL CABLE - 3GHz

SPECIFICATIONS

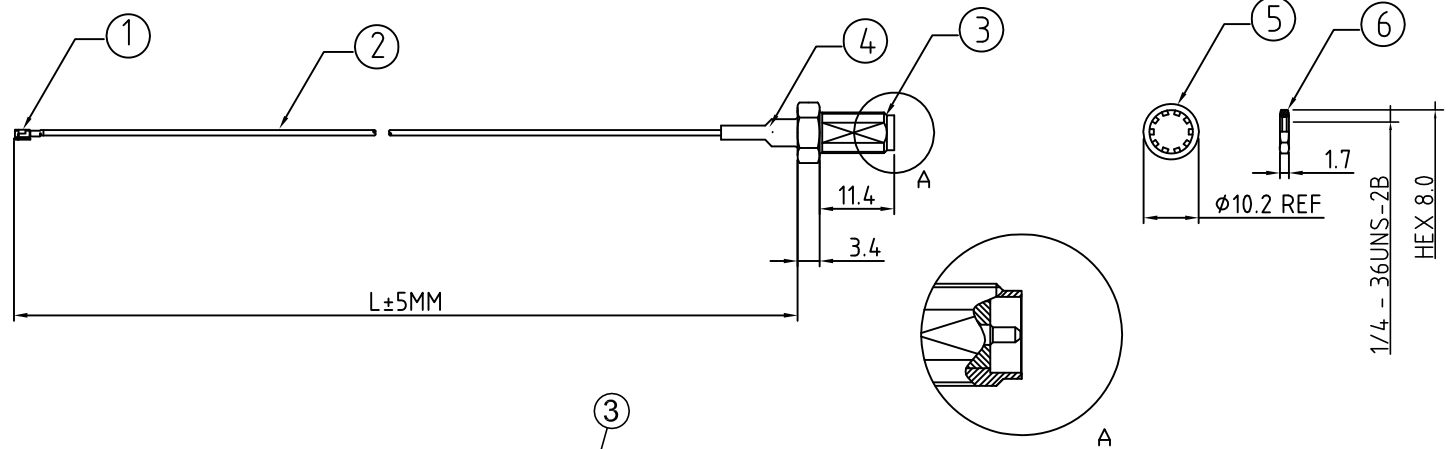
1. MURATA GSC MXTK92
2. 0.81MM COAXIAL CABLE, GRAY
3. RP SMA BULKHEAD JACK (C20ABWS178003B)
4. HEATSHRINK TUBE
5. WASHER
6. NUT

USAGE PRECAUTIONS: CABLES USING 'MICRO' COAX ARE DELICATE:

- (i) HANDLE WITH CARE.
- (ii) DO NOT TWIST; APPLY EXCESSIVE FORCES OR SHARP BENDS TO THE CABLE. DO NOT FORCEFULLY DEFORM WIRES.
- (iii) CONSULT CONNECTOR MANUFACTURER'S DATASHEETS FOR DETAILED NOTES ON HANDLING INSTRUCTIONS.

NOTES:

1. THE ORIENTATION OF CONNECTORS ON DRAWING IS FOR REFERENCE ONLY, FIXED ORIENTATION IS POSSIBLE FOR CABLE SHORTER THAN 100MM. PLEASE CONTACT US IF YOU REQUIRE A SPECIFIC ORIENTATION.
2. ELECTRICAL WORKING FREQUENCY RANGE: DC-3GHz



HOW TO ORDER

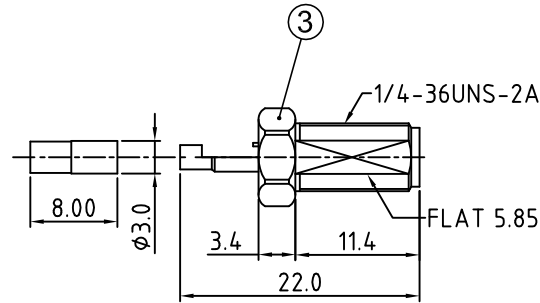
CABLE 056 RF - X X X - X

"L" LENGTH IN MM

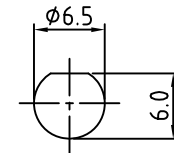
eg: 100MM = 100
(MIN. 50 - MAX. 400,
STANDARD : 100, 150, 200)

WASHER AND NUT OPTIONS:

BLANK = SEPERATELY PACKED (STANDARD)
A = ASSEMBLED WITH CONNECTOR



SMA JACK DETAIL DIMENSION



RECOMMENDED SMA MOUNTING HOLE

REV. DATE & DRN
10 28/11/08 - CHC RELEASE
11 05/12/08-CHC
ADD SMA DETAIL.
ADD USAGE PRECAUTIONS.
ADD WASHER AND NUT OPTION
12 26/08/09-PCY
ADD WORKING FREQUENCY RANGE.

Scale: NTS	THIRD ANGLE	Unstated .X .XX .XXX ANGLES	Tolerances: ±0.2 ±0.1 ±0.05 ±5	Material SEE NOTE
Drawn: CHC				
App'd: XXX	Title CABLE ASSEMBLY	NOT TO SCALE		
Date: 26 AUG '09	Revision: 1.2	Unit: mm		



www.gradconn.com

THIS DRAWING IS CONFIDENTIAL AND MUST NOT BE COPIED OR DISCLOSED WITHOUT WRITTEN CONSENT

Type: Cable 056 RF
CABLE 056 RF
Drawing Number:
Sheet 1 of 1
Drawing © E and O E