



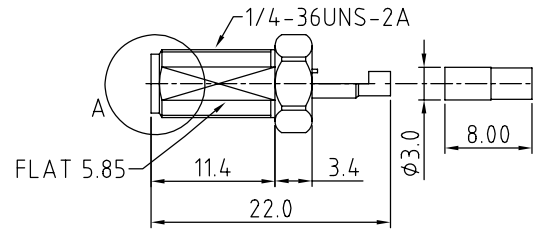
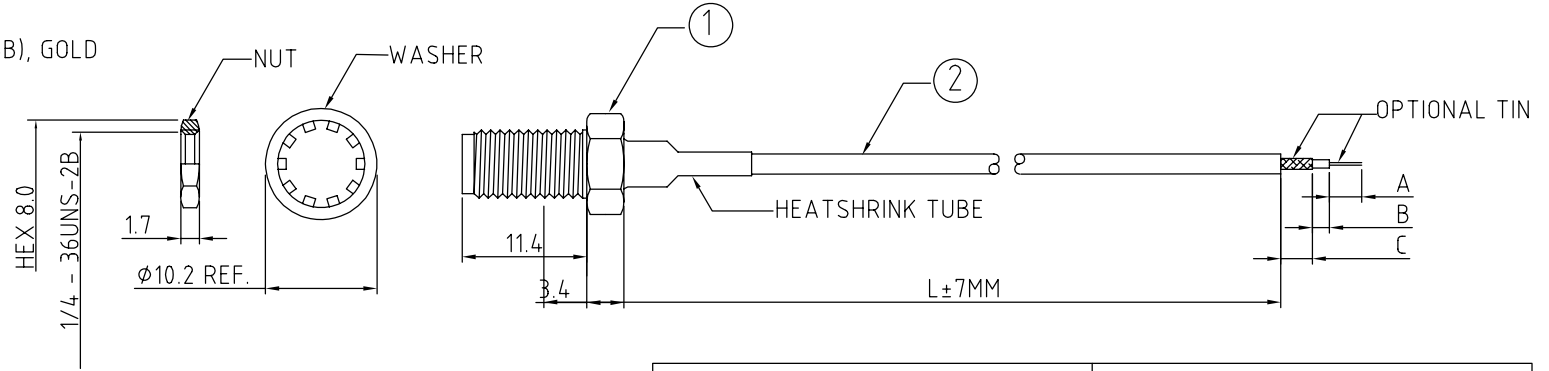
CAB055RF: RF CABLE ASSEMBLY, RP SMA BULKHEAD JACK + RG178 CABLE + STRIP / TIN

SPECIFICATIONS :

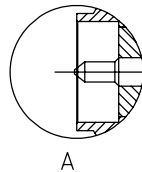
1. RP SMA ST BULKHEAD JACK (P/N: C20ABWS178003B), GOLD
2. RG178 COAXIAL CABLE, COLOR: BROWN
3. FLEXIBLE COPPER WIRE, DIAMETER: 0.5MM.

NOTES:

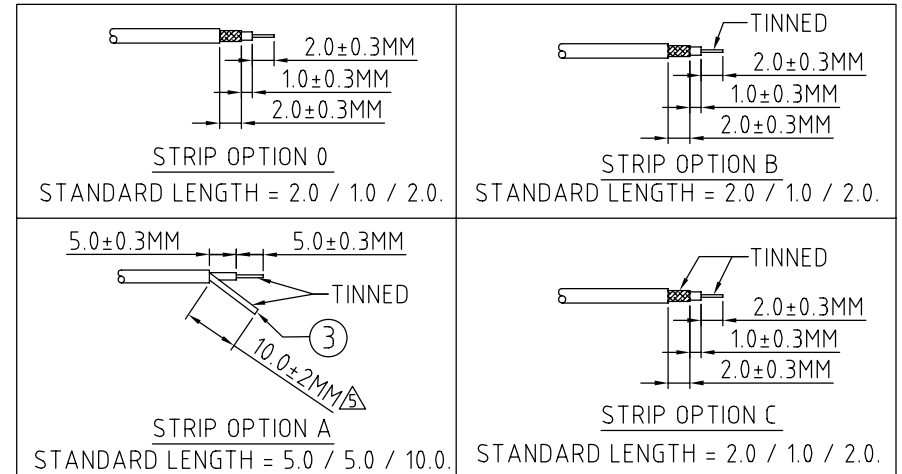
1. STRIP DIMENSION A / B / C STANDS FOR
A = CENTRE CONDUCTOR
B = INSULATOR
C = BRAID.
2. INSERTION LOSS TEST REPORT IS NOT AVAILABLE.
3. THIS IS OUR STANDARD OFFERING, SPECIAL DESIGNS ARE AVAILABLE, INCLUDING CUSTOM TOLERANCES AND SPECIAL BRAID TINNING DESIGNS. PLEASE CONTACT GRADCONN FOR MORE INFORMATION.
4. CENTRE CONDUCTOR OF COAX CABLE IS TINNED. LENGTH OF TINNED COPPER WIRE IS SOLDERED TO THE BRAID/SHIELD OF THE COAX CABLE WHICH ALLOWS SOLDERING TO PCB.



SMA JACK DETAIL DIMENSION



A



HOW TO ORDER

CAB055RF - XXXX - X.X / X.X / X.X - X - X

"L" LENGTH IN MM

eg: 100MM = 0100
(MIN. 0050,
STANDARD : 0100, 0150,
0200)

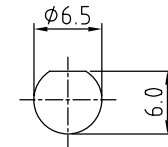
A/B/C STRIP DIMENSION IN MM
FOR STANDARD LENGTH PLEASE
REFER TO DRAWINGS.
(SPECIALS AVAILABLE UPON
REQUEST.)

WASHER AND NUT OPTIONS:

BLANK = SEPERATELY PACKED (STANDARD)
A = ASSEMBLED WITH CONNECTOR

STRIP AND TIN OPTIONS:

0 = STRIPPED ONLY, NOT TINNED
A = CENTER CONDUCTOR & SOLDERED COPPER WIRE TINNED
(SEE NOTE 4 FOR SOLDER TO PCB APPLICATION)
B = STRIPPED, END A TINNED
C = STRIPPED, END A & C TINNED



RECOMMENDED SMA MOUTING HOLE

10	16/11/08 - NYW RELEASE
11	29/09/09 - YC REVISED TO GENERIC DRAWING RELEASE
12	08/10/09 - NYW CHANGE TWISTED BRAID TO SOLDERED COPPER WIRE. ADD SPECIFICATION OF COMPONENT 3. ADD NOTES 4. ADD WASHER & NUT OPTION.
13	03/11/09 - NYW ADD STRIP OPTIONS B, C.
14	26/11/09 - NYW ADD 1 DECIMAL PLACE TO STRIP DIMENSIONS. CHANGE P/N TO CAB055RF. MAKE P/N US REF. 15/07/11 NYW AMEND TOLERANCE

Scale: NTS	THIRD ANGLE	Unstated Tolerances: .X ±0.2 .XX ±0.1 .XXX ±0.05 ANGLES ±5	Material SEE NOTE
Drawn: NYW			
App'd: XXX	Title CABLE ASSEMBLY		NOT TO SCALE
Date: 11 JUL '11	Revision: 1.5		Unit: mm

Type: CABLE 055 RF
CAB055RF
Drawing Number:
Sheet 1 of 1
Drawing © E and O E

THIS DRAWING IS CONFIDENTIAL AND MUST NOT BE COPIED OR DISCLOSED WITHOUT WRITTEN CONSENT