

CABLE 051 RF: RF CABLE ASSEMBLY, MMCX R/A PLUG + SMA FEMALE BULKHEAD WITH FIXED O-RING + RG174 CABLE - 3GHz

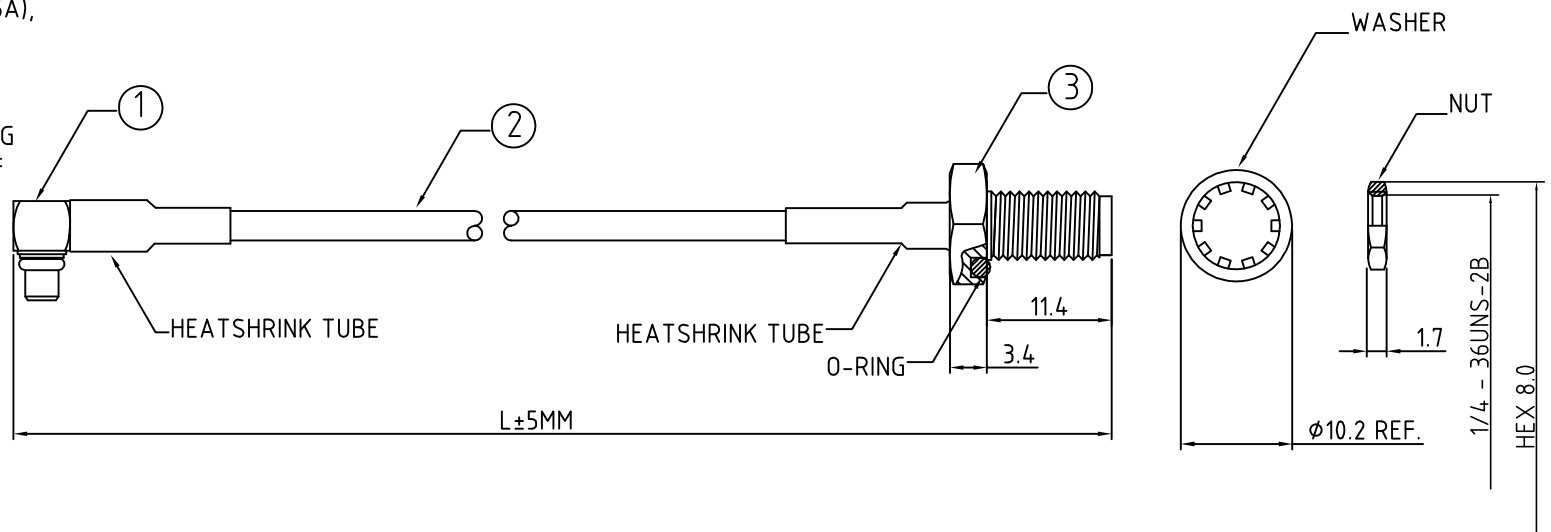
SPECIFICATIONS

1. MMCX RIGHT ANGLE PLUG (C05BA3F174001), GOLD
2. RG174 MIT COAXIAL CABLE, BLACK
3. SMA ST BULKHEAD W/O-RING (C02AD31174005A), GOLD

NOTES:

1. THE ORIENTATION OF CONNECTORS ON DRAWING IS FOR REFERENCE ONLY, PLEASE CONTACT US IF YOU REQUIRE A SPECIFIC ORIENTATION.

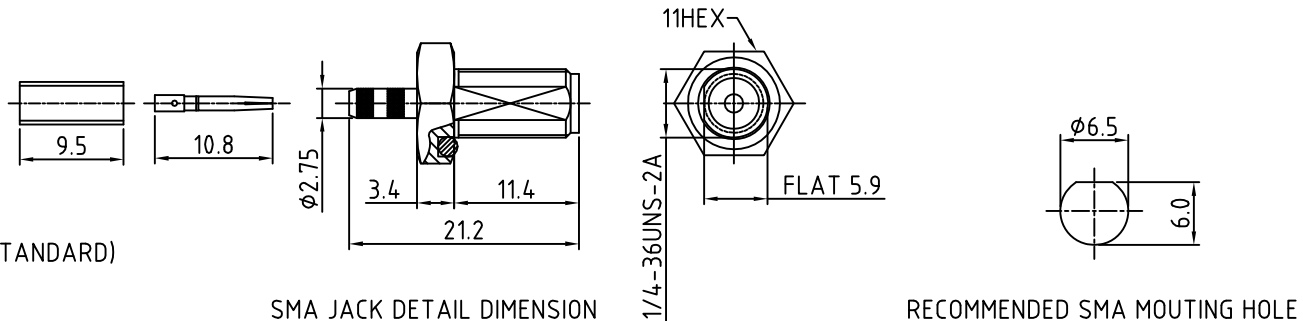
2. ELECTRICAL WORKING FREQUENCY RANGE: DC-3GHz Δ



HOW TO ORDER
CABLE 051 RF - X X X X - X

"L" LENGTH IN MM
eg: 100MM = 0100
(MIN. = 0050,
STANDARD = 0100, 0150, 0200)

WASHER AND NUT OPTIONS:
BLANK = SEPERATELY PACKED (STANDARD)
A = ASSEMBLED WITH CONNECTOR



REV. DATE & DRN
10 08/09/09 - NYW RELEASE
11 08/12/08 - NYW
ADD WASHER AND NUT
OPTIONS:
12 18/08/09-PCY
ADD WORKING FREQUENCY
RANGE.

Scale: NTS	THIRD ANGLE	Unstated .X .XX .XXX ANGLES	Tolerances: ± 0.2 ± 0.1 ± 0.05 ± 5	Material SEE NOTE
Drawn: NYW				
App'd: XXX	Title CABLE ASSEMBLY			NOT TO SCALE
Date: 18 AUG '09	Revision: 1.2			Unit: mm

GRADCONN
www.gradconn.com

THIS DRAWING IS CONFIDENTIAL AND MUST NOT BE
COPIED OR DISCLOSED WITHOUT WRITTEN CONSENT

Type: Cable 051 RF
CABLE 051 RF
Drawing Number:
Sheet 1 of 1
Drawing © E and O E