


CABLE 047 RF: RF CABLE ASSEMBLY, MURATA GSC + FME MALE BULKHEAD + 0.8MM CABLE - 3GHz

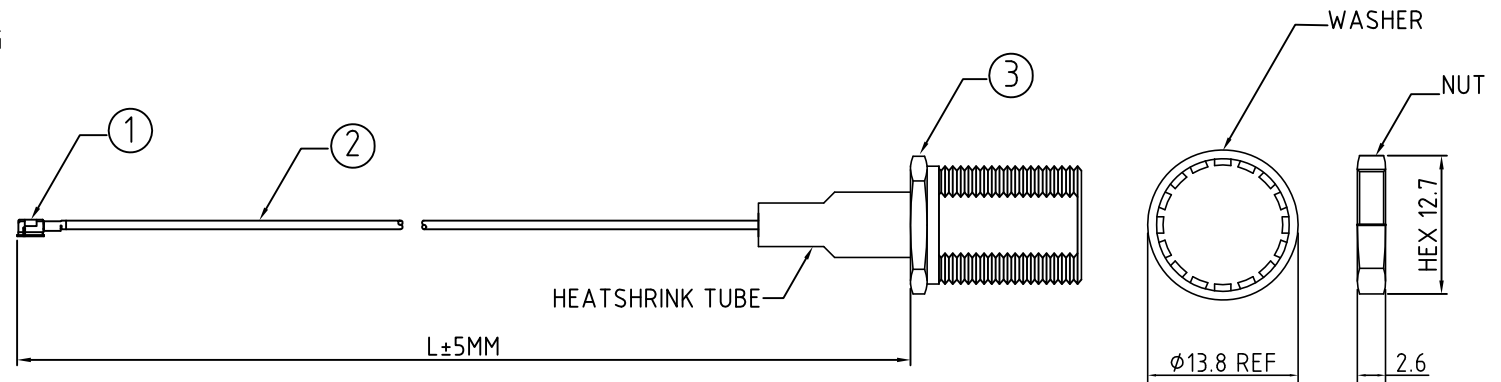
SPECIFICATIONS

1. MURATA GSC PLUG (MXTK92)
2. 0.8MM COAXIAL CABLE, COLOR: GRAY
3. FME BULKHEAD PLUG (C29CBWS178001), NICKEL

USAGE PRECAUTIONS: CABLES USING 'MICRO' COAX ARE DELICATE:
 (i) HANDLE WITH CARE.
 (ii) DO NOT TWIST; APPLY EXCESSIVE FORCES OR SHARP BENDS TO THE CABLE. DO NOT FORCEFULLY DEFORM WIRES.
 (iii) CONSULT CONNECTOR MANUFACTURER'S DATASHEETS FOR DETAILED NOTES ON HANDLING INSTRUCTIONS.

NOTES:

1. THE ORIENTATION OF CONNECTORS ON DRAWING IS FOR REFERENCE ONLY, FIXED ORIENTATION IS POSSIBLE FOR CABLE SHORTER THAN 100MM. PLEASE CONTACT US IF YOU REQUIRE A SPECIFIC ORIENTATION.
2. ELECTRICAL WORKING FREQUENCY RANGE: DC-3GHz 

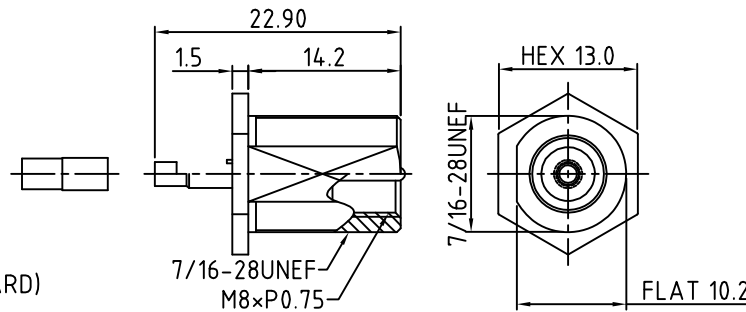


HOW TO ORDER

CABLE 047 RF - X X X - X

"L" LENGTH IN MM
 eg: 100MM = 100
 (MIN. 50 - MAX. 400,
 STANDARD : 100, 150, 200)

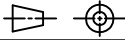
WASHER AND NUT OPTIONS:
 BLANK = SEPERATELY PACKED (STANDARD)
 A = ASSEMBLED WITH CONNECTOR



FME PLUG DETAIL DIMENION

RECOMMENDED FME MOUNTING HOLE

REV. DATE & DRN
 10 09/07/09 - NYW RELEASE
 11 05/12/10 - NYW
 ADD WASHER AND NUT
 OPTIONS.
 12 18/08/09-PCY
 ADD WORKING FREQUENCY
 RANGE.

Scale: NTS	THIRD ANGLE	Unstated .X .XX .XXX ANGLES	Tolerances: ±0.2 ±0.1 ±0.05 ±5	Material SEE NOTE
Drawn: NYW				
App'd: XXX	Title CABLE ASSEMBLY			NOT TO SCALE
Date: 18 AUG '09	Revision: 1.2			Unit: mm



www.gradconn.com

THIS DRAWING IS CONFIDENTIAL AND MUST NOT BE COPIED OR DISCLOSED WITHOUT WRITTEN CONSENT

Type: Cable 047 RF
CABLE 047 RF
Drawing Number:
Sheet 1 of 1
Drawing © E and O E