


CABLE 044 RF: RF CABLE ASSEMBLY, I-PEX MHF + RP SMA BULKHEAD JACK + 1.13MM CABLE - 3GHz

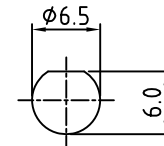
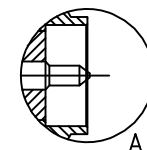
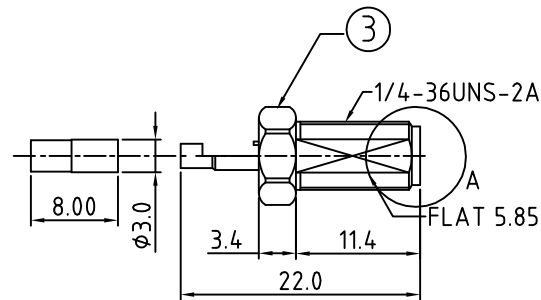
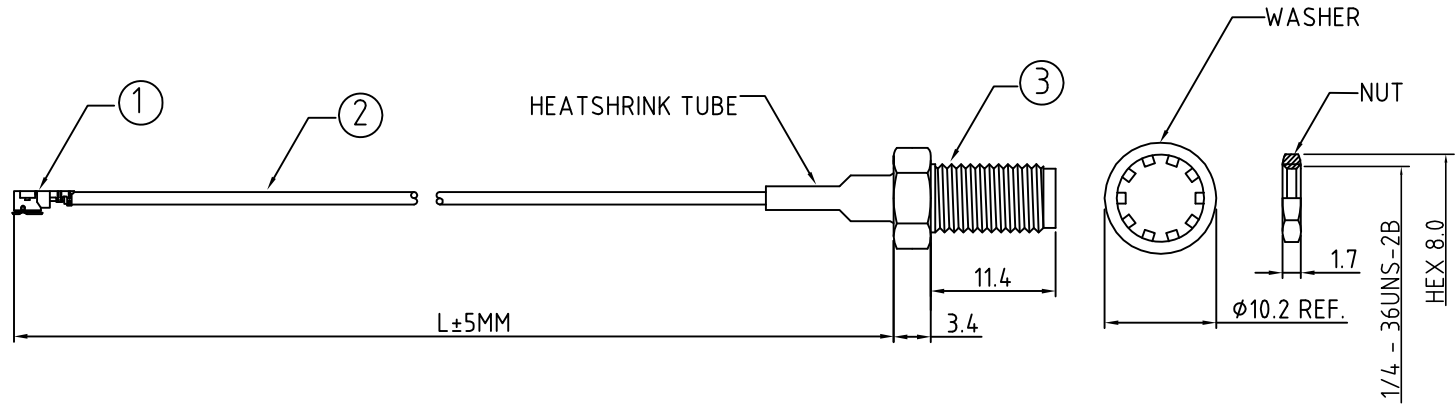
SPECIFICATIONS

1. I-PEX MHF PLUG (20278-112R-13), GOLD (ALTERNATIVE TO HIROSE U.FL)
2. 1.13MM COAXIAL CABLE, COLOR: GRAY
3. RP SMA ST BULKHEAD JACK (C20ABWS178003B), GOLD

**USAGE PRECAUTIONS: CABLES USING 'MICRO' COAX ARE DELICATE:**  
 (i) HANDLE WITH CARE.  
 (ii) DO NOT TWIST; APPLY EXCESSIVE FORCES OR SHARP BENDS TO THE CABLE. DO NOT FORCEFULLY DEFORM WIRES.  
 (iii) CONSULT CONNECTOR MANUFACTURER'S DATASHEETS FOR DETAILED NOTES ON HANDLING INSTRUCTIONS.

NOTES:

1. THE ORIENTATION OF CONNECTORS ON DRAWING IS FOR REFERENCE ONLY, FIXED ORIENTATION IS POSSIBLE FOR CABLE SHORTER THAN 100MM. PLEASE CONTACT US IF YOU REQUIRE A SPECIFIC ORIENTATION.
2. ELECTRICAL WORKING FREQUENCY RANGE: DC-3GHz 



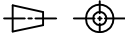
RECOMMENDED SMA MOUNTING HOLE

HOW TO ORDER  
 CABLE 044 RF - X X X - X

"L" LENGTH IN MM  
 eg: 100MM = 100  
 (MIN. 50 - MAX. 400,  
 STANDARD : 100, 150, 200)

WASHER AND NUT OPTIONS:  
 BLANK = SEPERATELY PACKED (STANDARD)  
 A = ASSEMBLED WITH CONNECTOR

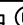
|                 |   |
|-----------------|---|
| REV. DATE & DRN | 10 05/05/08 - NYW RELEASE   |
|                 | 12 28/11/08 - NYW CHANGE IPEX P/N TO 20278-112R-13 (HALOGEN FREE) |
|                 | 13 08/12/08 - NYW ADD WASHER AND NUT OPTIONS.                     |
|                 | 14 26/08/09-PCY ADD WORKING FREQUENCY RANGE.                      |

|                  |   |   |  |                      |
|------------------|---|---|--|----------------------|
| Scale: NTS       | THIRD ANGLE   | Unstated<br>.X<br>.XX<br>.XXX<br>ANGLES | Tolerances:<br>±0.2<br>±0.1<br>±0.05<br>±5 | Material<br>SEE NOTE |
| Drawn: NYW       |  |   |  |                      |
| App'd: XXX       | Title CABLE ASSEMBLY  |   |  | NOT TO SCALE         |
| Date: 26 AUG '09 | Revision: 1.4   |   |  | Unit: mm             |



www.gradconn.com

 THIS DRAWING IS CONFIDENTIAL AND MUST NOT BE COPIED OR DISCLOSED WITHOUT WRITTEN CONSENT

|   |
|---|
| Type: Cable 044 RF  |
| CABLE 044 RF  |
| Drawing Number:   |
| Sheet 1 of 1  |
| Drawing  E and O E |