


CABLE 043 RF: RF CABLE ASSEMBLY, I-PEX MHF + FME MALE BULKHEAD + 1.37MM CABLE - 3GHz

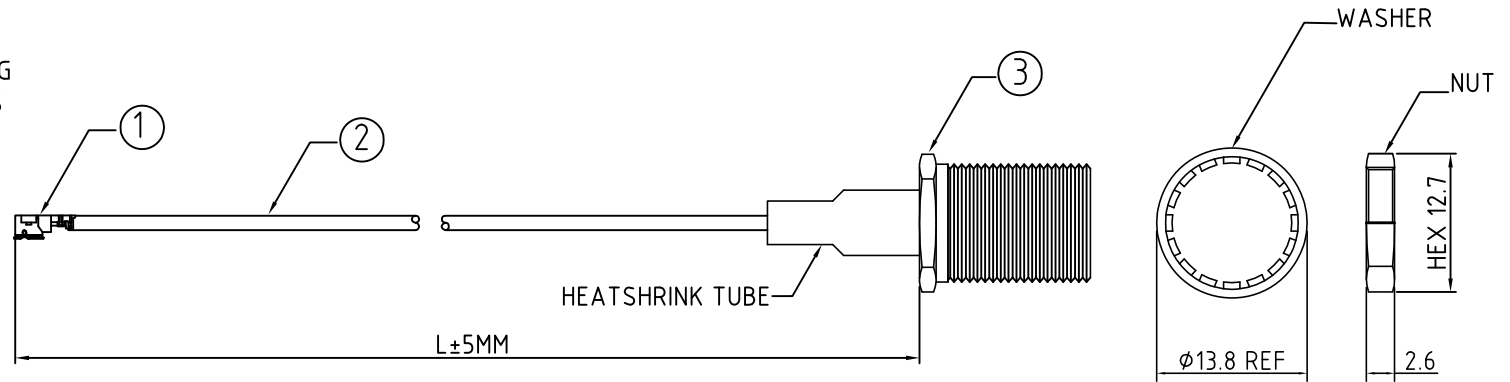
SPECIFICATIONS

1. I-PEX MHF PLUG (20351-111R-37), GOLD (ALTERNATIVE TO HIROSE U.FL-LP-088)
2. 1.37MM COAXIAL CABLE, COLOR: BLACK
3. FME BULKHEAD PLUG (C29CBWS178001), NICKEL

USAGE PRECAUTIONS: CABLES USING 'MICRO' COAX ARE DELICATE:
 (i) HANDLE WITH CARE.
 (ii) DO NOT TWIST; APPLY EXCESSIVE FORCES OR SHARP BENDS TO THE CABLE. DO NOT FORCEFULLY DEFORM WIRES.
 (iii) CONSULT CONNECTOR MANUFACTURER'S DATASHEETS FOR DETAILED NOTES ON HANDLING INSTRUCTIONS.

NOTES:

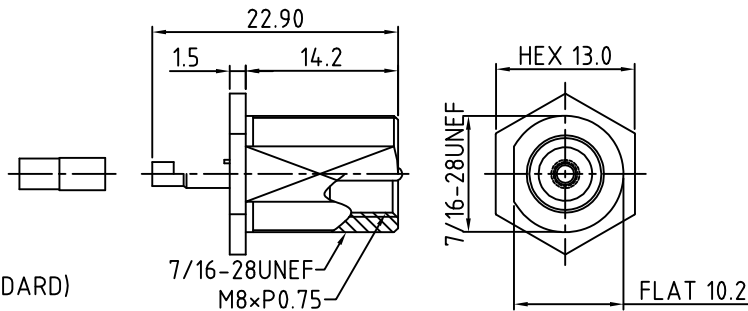
1. THE ORIENTATION OF CONNECTORS ON DRAWING IS FOR REFERENCE ONLY, FIXED ORIENTATION IS POSSIBLE FOR CABLE SHORTER THAN 100MM. PLEASE CONTACT US IF YOU REQUIRE A SPECIFIC ORIENTATION.
2. ELECTRICAL WORKING FREQUENCY RANGE: DC-3GHz 



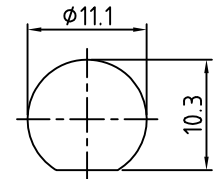
HOW TO ORDER
 CABLE 043 RF - X X X - X

"L" LENGTH IN MM
 eg: 100MM = 100
 (MIN. 50 - MAX. 400,
 STANDARD : 100, 150, 200)

WASHER AND NUT OPTIONS:
 BLANK = SEPERATELY PACKED (STANDARD)
 A = ASSEMBLED WITH CONNECTOR

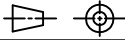
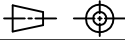


FME PLUG DETAIL DIMENSION



RECOMMENDED FME MOUNTING HOLE

REV. DATE & DRN
 10 18/04/09 - NYW RELEASE
 11 08/12/08 - NYW
 ADD WASHER AND NUT
 OPTIONS.
 12 18/08/09-PCY
 ADD WORKING FREQUENCY
 RANGE.

| | | | | |
|------------------|---|---|--|----------------------|
| Scale: 1:2 | THIRD ANGLE  | Unstated .X .XX .XXX ANGLES | Tolerances: ±0.2 ±0.1 ±0.05 ±5 | Material SEE NOTE |
| Drawn: NYW |  | Title CABLE ASSEMBLY | | NOT TO SCALE |
| App'd: XXX | Revision: 1.2 | Unit: mm | | |
| Date: 18 AUG '09 | | | | |



www.gradconn.com

THIS DRAWING IS CONFIDENTIAL AND MUST NOT BE COPIED OR DISCLOSED WITHOUT WRITTEN CONSENT

| |
|---------------------|
| Type: Cable 043 RF |
| CABLE 043 RF |
| Drawing Number: |
| Sheet 1 of 1 |
| Drawing © E and O E |