

CABLE 041 RF: RF CABLE ASSEMBLY, I-PEX MHF + FME MALE BULKHEAD + 1.13MM CABLE - 3GHz

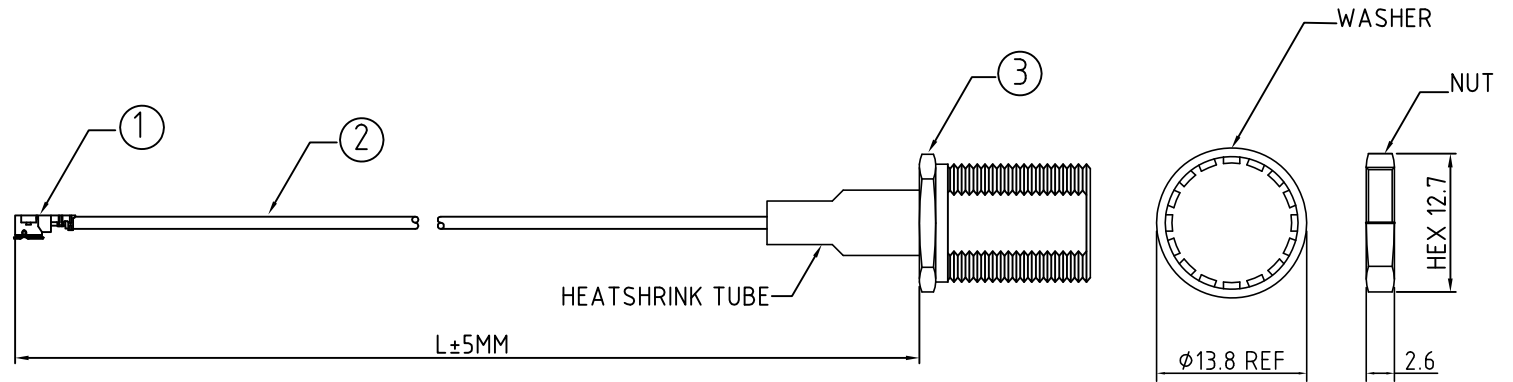
SPECIFICATIONS

1. I-PEX MHF PLUG (20278-112R-13), GOLD (ALTERNATIVE TO HIROSE U.FL)
2. 1.13MM COAXIAL CABLE, COLOR: GRAY
3. FME BULKHEAD PLUG (C29CBWS178001), NICKEL

USAGE PRECAUTIONS: CABLES USING 'MICRO' COAX ARE DELICATE:
 (i) HANDLE WITH CARE.
 (ii) DO NOT TWIST; APPLY EXCESSIVE FORCES OR SHARP BENDS TO THE CABLE. DO NOT FORCEFULLY DEFORM WIRES.
 (iii) CONSULT CONNECTOR MANUFACTURER'S DATASHEETS FOR DETAILED NOTES ON HANDLING INSTRUCTIONS.

NOTES:

1. THE ORIENTATION OF CONNECTORS ON DRAWING IS FOR REFERENCE ONLY, FIXED ORIENTATION IS POSSIBLE FOR CABLE SHORTER THAN 100MM. PLEASE CONTACT US IF YOU REQUIRE A SPECIFIC ORIENTATION.
2. ELECTRICAL WORKING FREQUENCY RANGE: DC-3GHz Δ

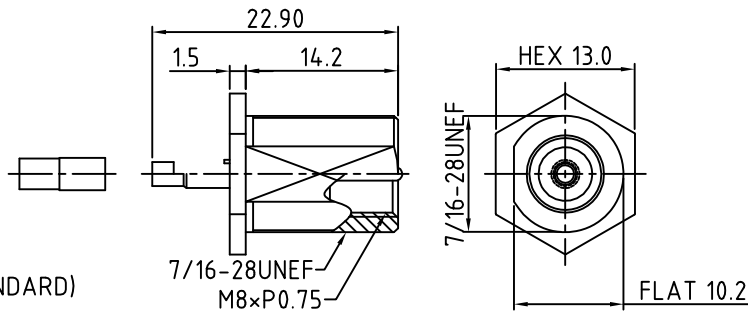


HOW TO ORDER

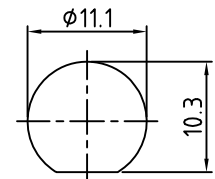
CABLE 041 RF - X X X - X

"L" LENGTH IN MM
 eg: 100MM = 100
 (MIN. 50 - MAX. 400,
 STANDARD : 100, 150, 200)

WASHER AND NUT OPTIONS:
 BLANK = SEPERATELY PACKED (STANDARD)
 A = ASSEMBLED WITH CONNECTOR



FME PLUG DETAIL DIMENSION



RECOMMENDED FME MOUNTING HOLE

REV. DATE & DRN	10 18/04/09 - NYW RELEASE
	11 28/11/08 - NYW CHANGE IPEX P/N TO 20278-112R-13 (HALOGEN FREE)
	12 05/12/08 - NYW ADD WASHER AND NUT OPTIONS.
	13 18/08/09-PCY ADD WORKING FREQUENCY RANGE.

Scale: 1:2	THIRD ANGLE	Unstated .X .XX .XXX ANGLES	Tolerances: ±0.2 ±0.1 ±0.05 ±5	Material SEE NOTE
Drawn: NYW				
App'd: XXX	Title CABLE ASSEMBLY			NOT TO SCALE
Date: 18 AUG '09	Revision: 1.3			Unit: mm

GRADCONN
www.gradconn.com

THIS DRAWING IS CONFIDENTIAL AND MUST NOT BE COPIED OR DISCLOSED WITHOUT WRITTEN CONSENT

Type: Cable 041 RF
CABLE 041 RF
Drawing Number:
Sheet 1 of 1
Drawing © E and O E