

CABLE 037 RF: RF CABLE ASSEMBLY, MMCX R/A PLUG + SMA FEMALE BULKHEAD + RG174 CABLE

SPECIFICATIONS

1. MMCX RIGHT ANGLE PLUG (C05BA3F174001), GOLD \triangle \triangle
2. MIT COAXIAL CABLE (REFER TO P/N FOR DETAIL)
3. SMA ST BULKHEAD (C02ABWS174003C), GOLD

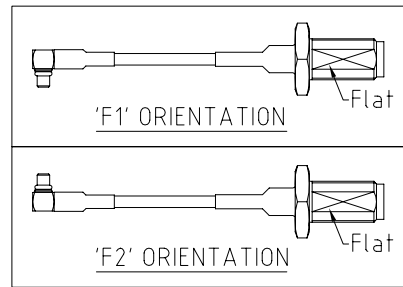
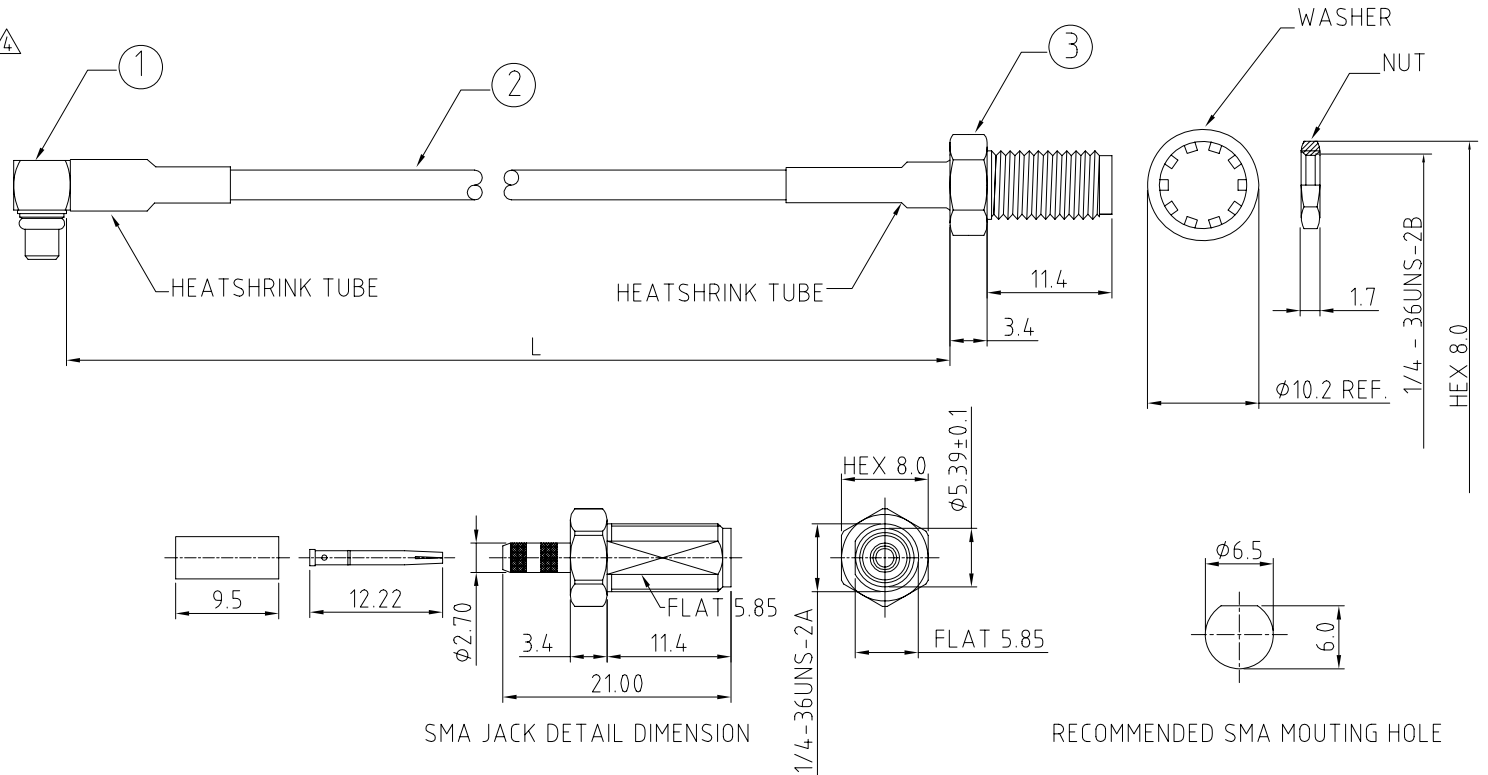
NOTES:

1. THE ORIENTATION OF CONNECTORS ON DRAWING IS FOR REFERENCE ONLY, IF THE ORDER IS LEFT BLANK THE CONNECTOR WILL NOT HAVE FIXED ORIENTATION.

2. FIXED ORIENTATION IS POSSIBLE FOR CABLE LENGTH 25MM TO 220MM. PLEASE SPECIFY THE FIXED ORIENTATIONS FROM THE ORDER CODE (F1, F2, ETC)

3. CONTACT GRAD CONN IF THE ORIENTATION YOU REQUIRE IS NOT SHOWN.

4. WORKING FREQUENCY RANGE: DC - 3GHz. \triangle



HOW TO ORDER
CABLE 037 RF - XXXX - X - XX - X

"L" LENGTH IN MM
eg: 100MM = 0100
(MIN. 025-MAX.400)
STANDARD = 100, 150, 200
Tolerance: <50mm : ±2mm.
51-200mm: ±5mm.
201-500mm: ±7mm.
>501mm: ±10mm.

WASHER AND NUT OPTIONS:
BLANK = SEPERATELY PACKED (STANDARD)
A = ASSEMBLED WITH CONNECTOR

\triangle CABLE SIZE OPTIONS:
BLANK = RG174 CABLE, COLOR: BLACK
1 = RG316 CABLE, COLOR: BROWN

\triangle BLANK = DOES NOT HAVE A FIXED ORIENTATION
F1 = MMCX CONNECTION DOWN (L=25-220MM)
F2 = MMCX CONNECTION UP (L=25-220MM)
(SEE NOTES 1, 2, 3 AND DIAGRAMS FOR MORE INFORMATION)

REV. DATE & DRN	10 06/03/08 - NYW RELEASE
11 19/03/08 - NYW	ADD SMA DIMENSION
12 01/07/08 - NYW	CHANGE MMCX PLUG P/N (OLD P/N C05BA30174001).
13 05/27/08 - NYW	ADD WASHER AND NUT OPTIONS.
14 31/03/09 - CHC	CHANGE MMCX PLUG P/N (OLD P/N C05BA3K174001).
15 26/08/10 - PCY	ADD WORKING FREQUENCY RANGE.
16 05/08/10 - NYW	ADD ORIENTATION OPTIONS AND CABLE SIZE OPTIONS.

Scale: NTS	THIRD ANGLE	Unstated X .XX .XXX ANGLES	Tolerances: ±0.2 ±0.1 ±0.05 ±5	Material SEE NOTE
Drawn: CHC				
App'd: XXX	Title: CABLE ASSEMBLY			NOT TO SCALE
Date: 5 AUG '10	Revision: 1.6			Unit: mm

www.gradconn.com

THIS DRAWING IS CONFIDENTIAL AND MUST NOT BE COPIED OR DISCLOSED WITHOUT WRITTEN CONSENT

Type: Cable 037 RF
CABLE 037 RF
Drawing Number:
Sheet 1 of 1
Drawing © E and O E