



CABLE 036 RF: RF CABLE ASSEMBLY, I-PEX MHF + SMA FEMALE BULKHEAD + MULTIPLE CABLE SIZES

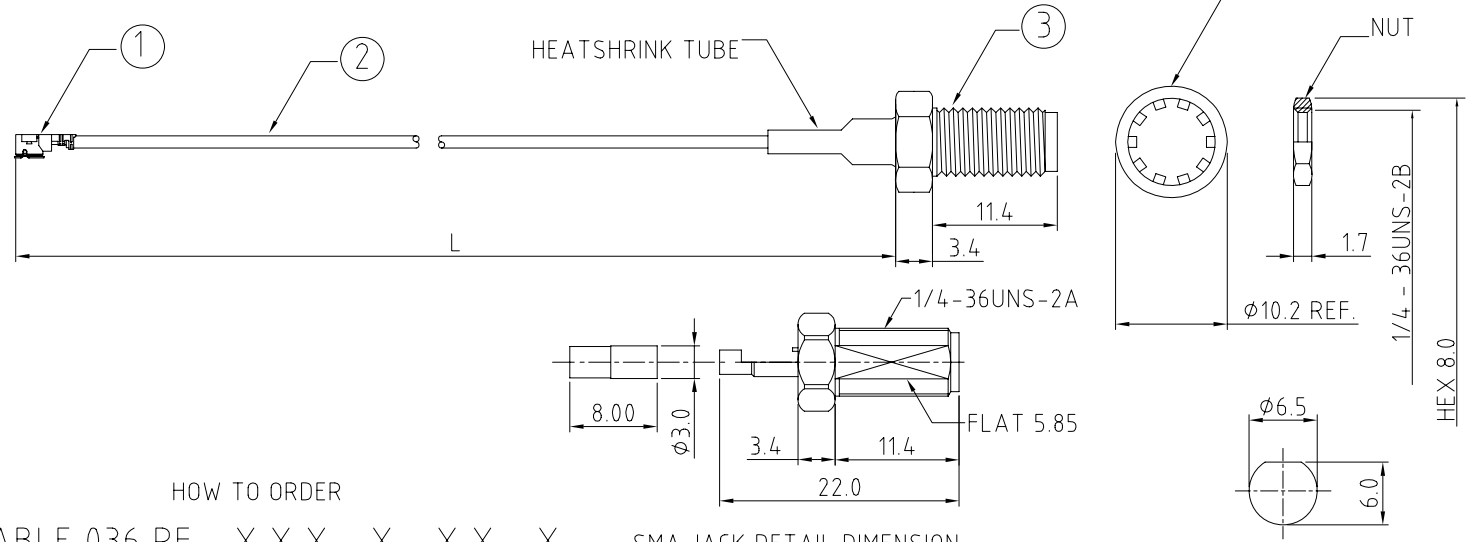
SPECIFICATIONS

1. I-PEX MHF PLUG (SEE CHART FOR P/N)
(ALTERNATIVE TO HIROSE U.FL)
2. COAXIAL CABLE (SEE P/N OPTION)
3. SMA ST BULKHEAD (SEE CHART FOR P/N)

NOTES:

1. THE ORIENTATION OF CONNECTORS ON DRAWING IS FOR REFERENCE ONLY, IF THE ORDER IS LEFT BLANK THE CONNECTOR WILL NOT HAVE FIXED ORIENTATION.
2. FIXED ORIENTATION IS POSSIBLE FOR CABLE LENGTH 25MM TO 220MM. PLEASE SPECIFY THE FIXED ORIENTATIONS FROM THE ORDER CODE (F1, F2, ETC)
3. CONTACT GRAD CONN IF THE ORIENTATION YOU REQUIRE IS NOT SHOWN.
4. WORKING FREQUENCY RANGE: DC-3GHz. Δ

USAGE PRECAUTIONS: CABLES USING 'MICRO' COAX ARE DELICATE:
 (i) HANDLE WITH CARE.
 (ii) DO NOT TWIST; APPLY EXCESSIVE FORCES OR SHARP BENDS TO THE CABLE. DO NOT FORCEFULLY DEFORM WIRES.
 (iii) CONSULT CONNECTOR MANUFACTURER'S DATASHEETS FOR DETAILED NOTES ON HANDLING INSTRUCTIONS.



HOW TO ORDER

CABLE 036 RF - X X X - X - X X - X SMA JACK DETAIL DIMENSION

"L" LENGTH IN MM
 eg: 100MM = 0100
 (MIN. 025-MAX.400)
 STANDARD = 100, 150, 200
 Tolerance: <50mm: ± 2 mm.
 51-200mm: ± 5 mm.
 201-400mm: ± 7 mm.

CABLE SIZE OPTIONS:
 BLANK = $\phi 1.13$ MM CABLE, COLOR: GRAY
 1 = RG178 CABLE, COLOR: BROWN
 $\Delta 2$ = $\phi 1.37$ MM CABLE, COLOR: BLACK

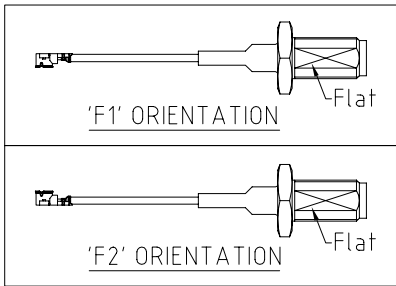
BLANK = DOES NOT HAVE A FIXED ORIENTATION
 F1 = MHF CONNECTION DOWN (L=25-220MM)
 F2 = MHF CONNECTION UP (L=25-220MM)
 (SEE NOTES 1, 2, 3 AND DIAGRAMS FOR MORE INFORMATION)

WASHER AND NUT OPTIONS:
 BLANK = SEPERATELY PACKED (STANDARD)
 A = ASSEMBLED WITH CONNECTOR

RECOMMENDED SMA MOUNTING HOLE

CHART OF CABLE AND CONNECTOR P/N

CABLE ϕ	I-PEX P/N	SMA P/N
$\phi 1.13$	20278-112R-13	C02ABWS178003B
RG178	20351-112R-37	C02ABWS178003B
$\phi 1.37$	20351-112R-37	C02ABWS178003B



REV. DATE & DRN
 10 05/03/08 - NYW RELEASE
 11 20/07/08 - NYW
 ADD SMA DIMENSION.
 12 28/11/08 - NYW
 CHANGE IPEX P/N TO
 20278-112R-13 (HALOGEN FREE)
 13 05/12/08 - NYW
 ADD WASHER AND NUT
 OPTIONS.
 14 14/05/10 - NYW
 ADD PART NUMBER AND CABLE
 SIZE OPTIONS.
 15 10/08/10 - NYW
 Δ ADD 1.37mm CABLE OPTION.
 ADD NOTES 4.

Scale: NTS	THIRD ANGLE	Unstated X .XX .XXX ANGLES	Tolerances: ± 0.2 ± 0.1 ± 0.05 ± 5	Material SEE NOTE
Drawn: NYW				
App'd: XXX	Title: CABLE ASSEMBLY			NOT TO SCALE
Date: 10 AUG '10	Revision: 1.5			Unit: mm

www.gradconn.com

THIS DRAWING IS CONFIDENTIAL AND MUST NOT BE COPIED OR DISCLOSED WITHOUT WRITTEN CONSENT

Type: Cable 036 RF
CABLE 036 RF
Drawing Number:
Sheet 1 of 1
Drawing © E and O E